

Job Name: 25-3431 Plano Bridleton Farms Storm
 Job Location: Bowling Green, KY
 Contractor: J & J Concrete & Excavating, LLC

Plant: Beaver Dam

Tech: C.Russ

10/30/2025 12:17:37 PM

PC: E.Bradley



Structure ID: ST-B1

P2 CTS

BX FLAT LID 8inW w/24"x36" HOLE

- P3) 24" x 36" - CASTING HEIGHT - 6.25"
- P2) 30" x 168" - BX FLAT LID 8inW w/24"x36" HOLE - 8"
- P1) 30" x 168" - BOX BASE 8inW, 8inF, Variable Ht - 66"
- 1) CASTING - EJ 4510 F/G
- 1) 24" x 36" - SGL 1"x14.5' Butyl
- 5) Hole - 48 x 34
- 1) Hole - 34

0 lb
 5102 lb
 19775 lb
 445 lb
 0 lb
 0 lb
 0 lb

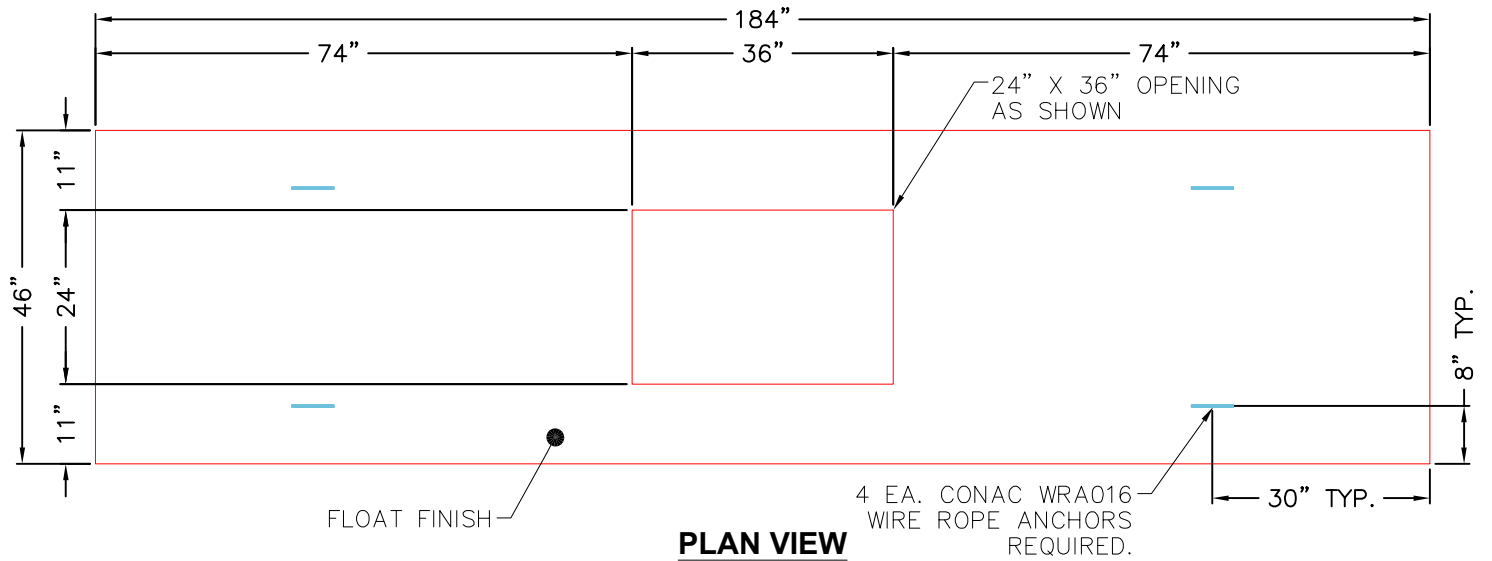
 25322 lb

Structure Total:

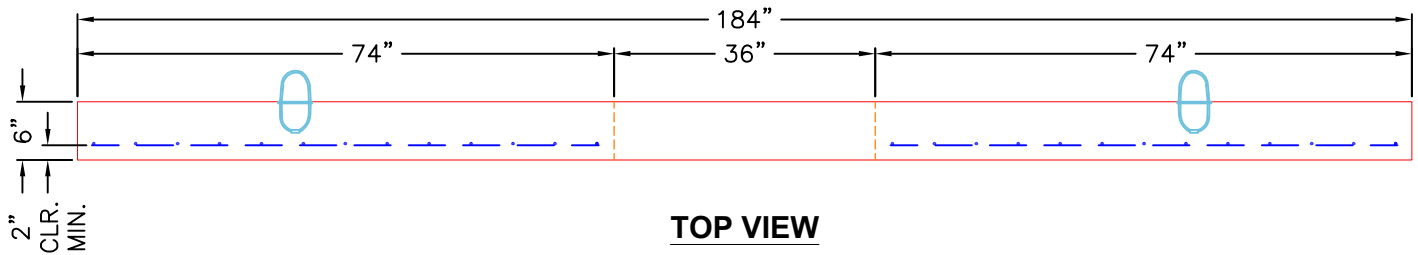
Structure Notes:

1. PER ASTM C913 SPECIFICATIONS.
2. CONCRETE = 4,000 PSI AT 28 DAYS.
3. EJ 4510 F/G BY ICAST

- REINFORCING PER ASTM A615 (GRADE 60).
- TOP SLAB (As .62) #5 BARS AT 6" C.C.E.W..
 - RISER/WALLS (As .36) #5 BARS AT 8" C.C.E.W.
 - FLOOR (As .47) #5 BARS AT 8" C.C.E.W.



PLAN VIEW



TOP VIEW

Coating (Int):
 Coating (Ext):

Seam Up: Flat
 Seam Dn: Flat

Wall Thickness: 8"

Height (Ext): 8"

Weight (Net): 5102 lb
 Volume (Net): 1.3cu.yd