

Job Name: 25-3431 Plano Bridleton Farms Storm
Job Location: Bowling Green, KY
Contractor: J & J Concrete & Excavating, LLC

PC: E.Bradley
 TECH: C.Russ
 Plant: Beaver Dam



Structure ID: **ST-A3**

Spec: Storm
 Type: BX 8inW, 8inF
 Size: 30" x 108"

Rim: 601.72'
 Invert: 598.36'
 Rim to Invert: 3.36'

Sump: 0"
 Floor (Top): 598.36'
 Floor Height: 8"

Floor (Bot): 597.693'
 Overall Height: 4.021'
 Slack: 0.07"

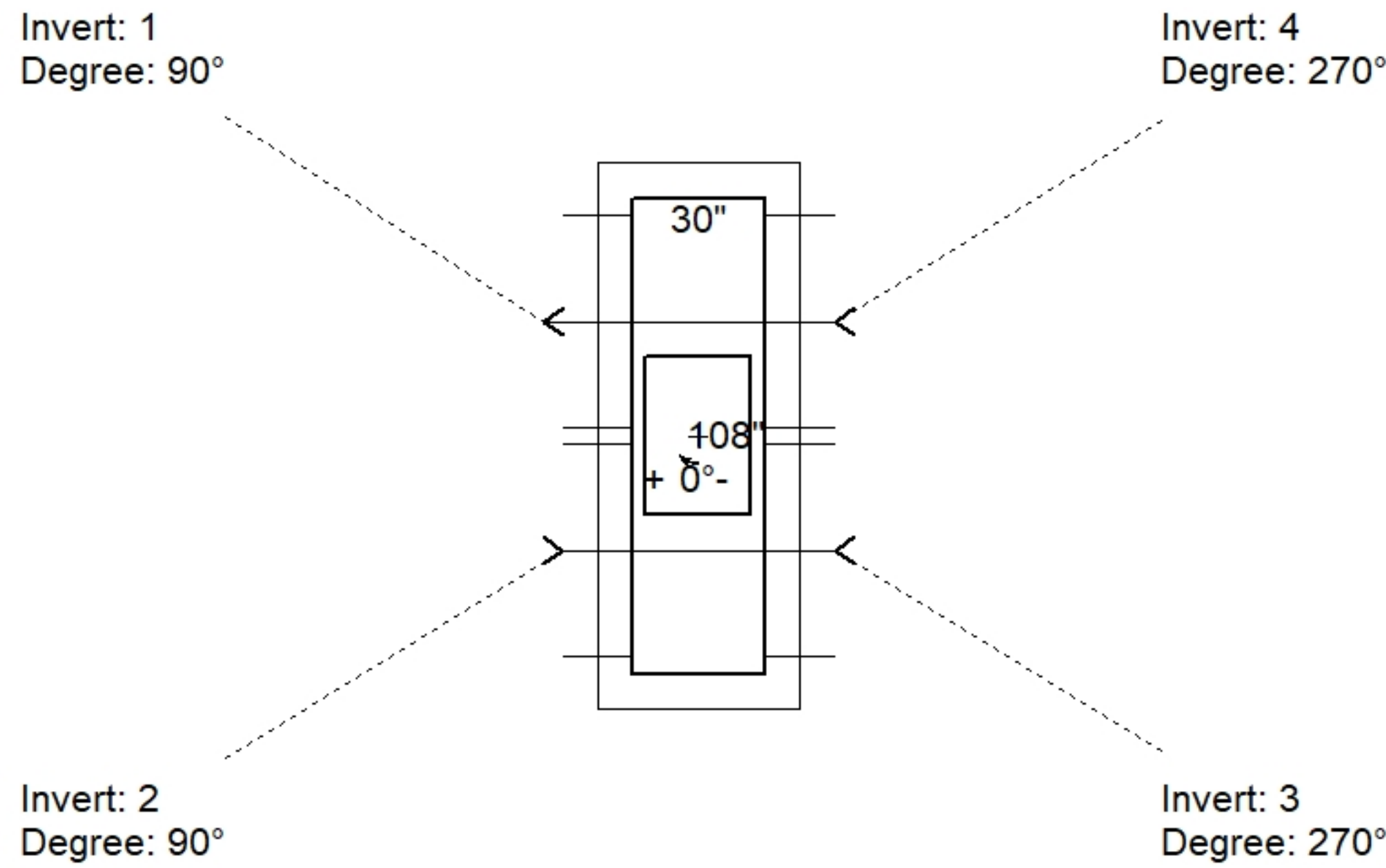
Structure Notes:

1. PER ASTM C913 SPECIFICATIONS.
2. CONCRETE = 4,000 PSI AT 28 DAYS.
3. EJ 4510 F/G BY ICAST

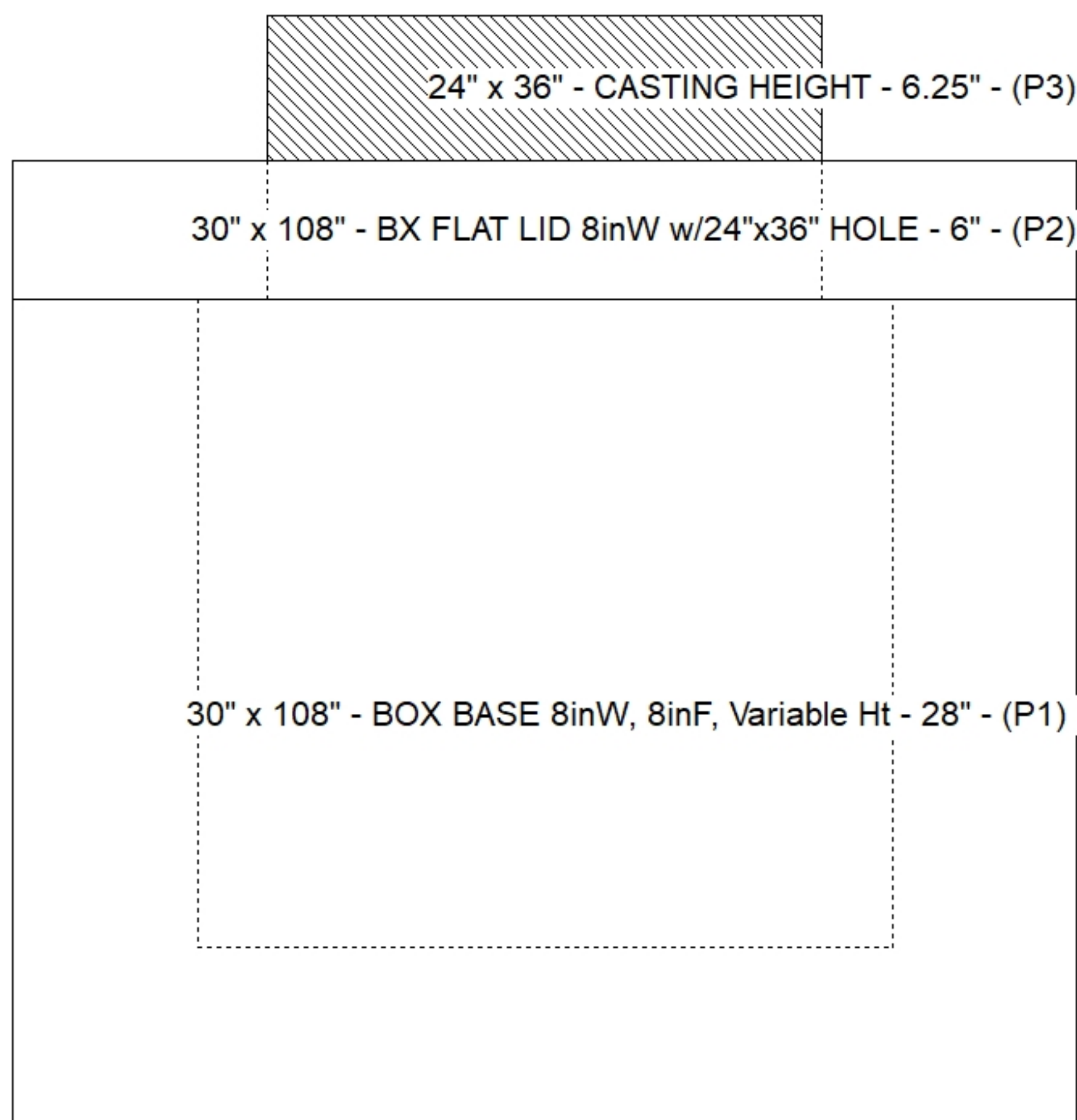
REINFORCING PER ASTM A615 (GRADE 60).
 - TOP SLAB (As .62) #5 BARS AT 6" C.C.E.W..
 - RISER/WALLS (As .36) #5 BARS AT 8" C.C.E.W..
 - FLOOR (As .47) #5 BARS AT 8" C.C.E.W.

STRUCTURE SUMMARY:

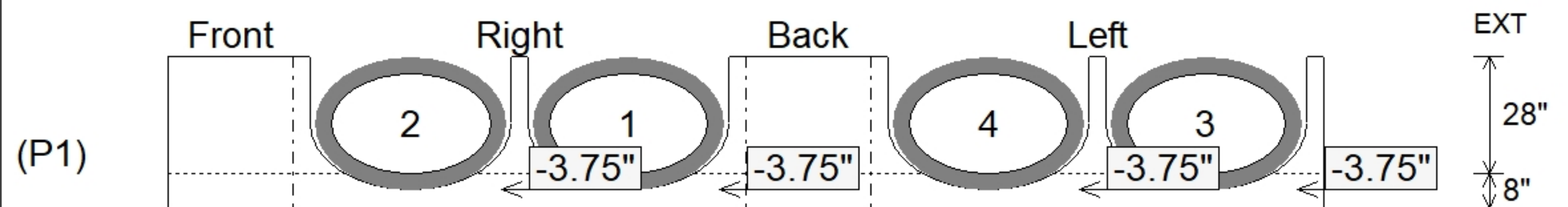
P3) 24" x 36" - CASTING HEIGHT - 6.25"	0 lb
P2) 30" x 108" - BX FLAT LID 8inW w/24"x36" HOLE - 6"	2437 lb
P1) 30" x 108" - BOX BASE 8inW, 8inF, Variable Ht - 28"	5955 lb
1) 24" x 36" - SGL 1"x14.5' Butyl	0 lb
4) DOGHOUSE INVRTD (ELLIP) - 48"x31"	0 lb
Structure Total:	8392 lb



Position	Elev	Angle	Pipe	Pipe OD	Hole	Connector	Up ()	Ref
Rim	601.72'							
Reducer								
Invert 1	598.36'	90°	38" x 24" ELL RCP	45.5" x 31.5"	48" x 31"	DOGHOUSE INVRTD (ELLIP) 48"x31"	-3.75"	P1
Invert 2	598.36'	90°	38" x 24" ELL RCP	45.5" x 31.5"	48" x 31"	DOGHOUSE INVRTD (ELLIP) 48"x31"	-3.75"	P1
Invert 3	598.36'	270°	38" x 24" ELL RCP	45.5" x 31.5"	48" x 31"	DOGHOUSE INVRTD (ELLIP) 48"x31"	-3.75"	P1
Invert 4	598.36'	270°	38" x 24" ELL RCP	45.5" x 31.5"	48" x 31"	DOGHOUSE INVRTD (ELLIP) 48"x31"	-3.75"	P1
Invert 5								
Invert 6								
Invert 7								
Invert 8								



Default - Interior Dimensions



Submittal Drawing
 11/3/2025 7:42:50 AM

SUBMITTAL
 APPROVED BY: