

**Job Name: 25-3424 - 842654 The Village At Lemons Mill**  
**Job Location: Georgetown, KY**  
**Contractor: Contech Engineering Solutions**

PC: T. Sekula  
 TECH: J. Coppage  
 Plant: Beaver Dam



Structure ID: **15-CS-8**  
 Spec: Storm-Pipe Centered  
 Type: STM.MH  
 Size: 96"

Rim: 868.69'  
 Invert: 862'  
 Rim to Invert: 6.69'

Sump: 82"  
 Floor (Top): 855.167'  
 Floor Height: 13"

Floor (Bot): 854.083'  
 Overall Height: 14.667'  
 Slack: -0.72"

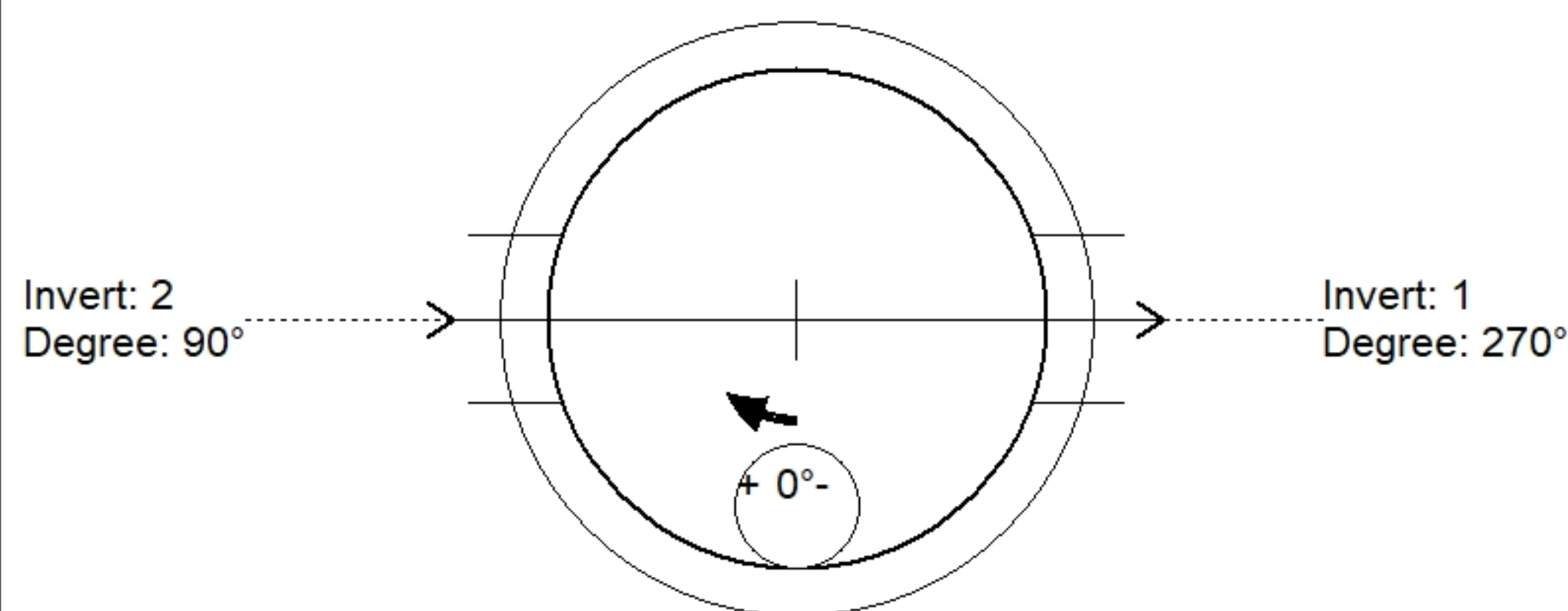
Structure Notes:  
 (4" TALL CASTINGS PROVIDED BY OTHERS)  
 CASTING FRAMES TO BE CAST INTO THE TOP SLAB

ICAST TO INSTALL THE INTERNAL BRACKETS  
 INTERNAL COMPONENTS TO BE INSTALLED  
 ON SITE BY CONTECH FIELD CONSULTANT

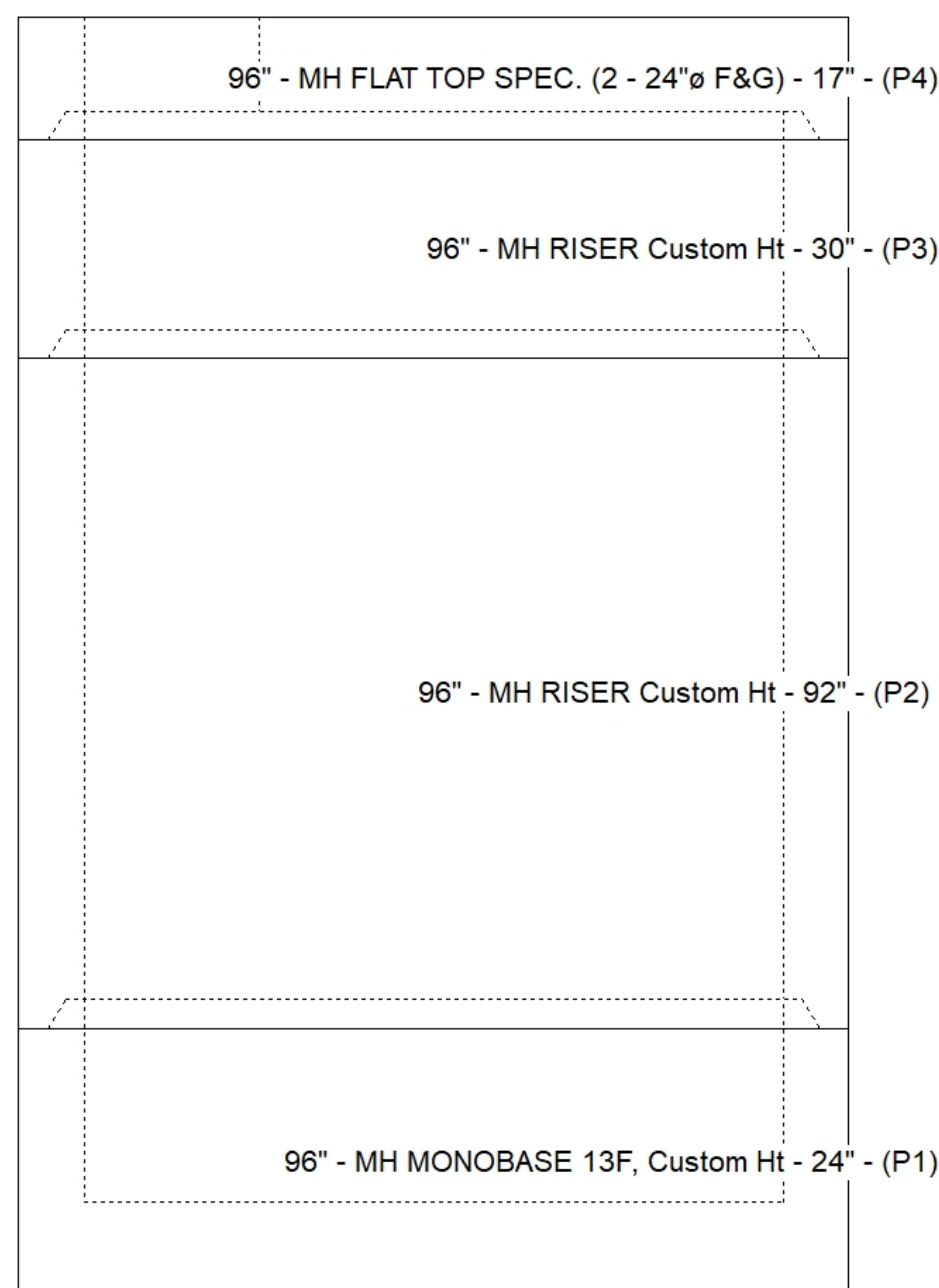
CONTECH'S LOGO AS WELL AS THE  
 INLET AND THE OUTLET MUST BE  
 STENCILED ONTO THE STRUCTURE

STRUCTURE SUMMARY:

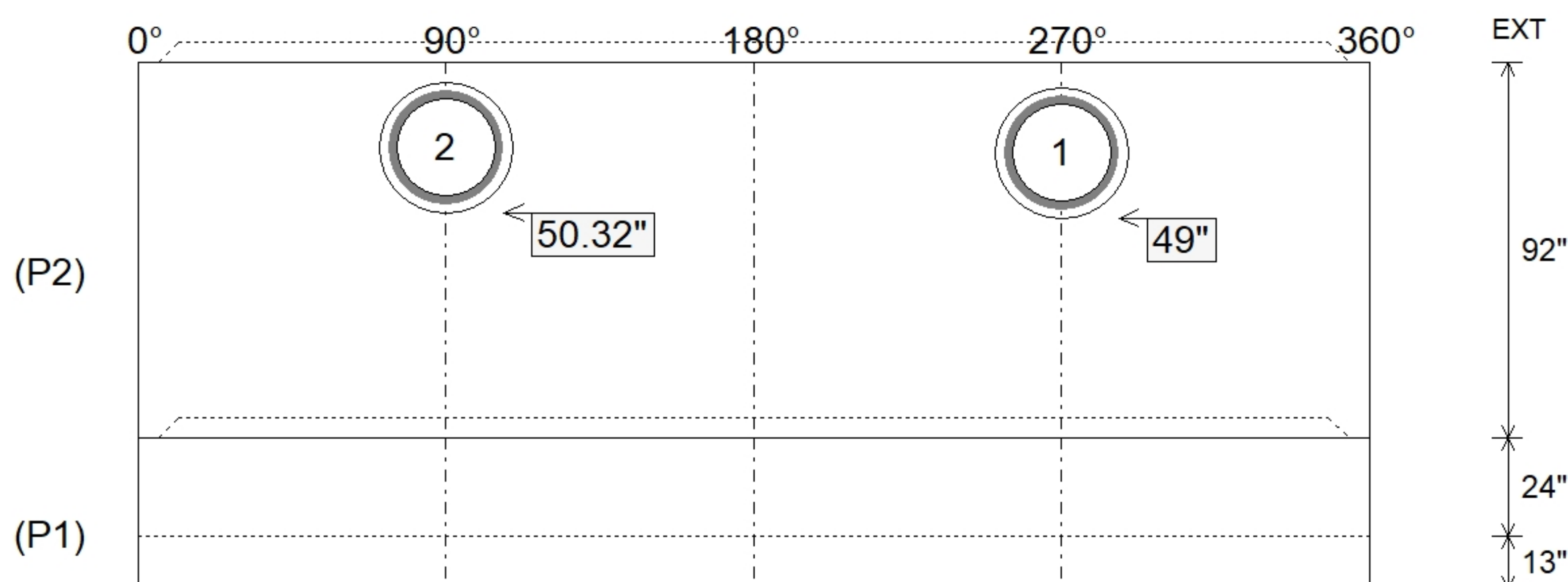
P4) 96" - MH FLAT TOP SPEC. (2 - 24"Ø F&G) - 17"	10017 lb
P3) 96" - MH RISER Custom Ht - 30"	7474 lb
P2) 96" - MH RISER Custom Ht - 92"	21684 lb
P1) 96" - MH MONOBASE 13F, Custom Ht - 24"	17113 lb
1) PSASSEMBLY	0 lb
1) CVSTENCILING	0 lb
2) Hole - 32	0 lb
<b>Structure Total:</b>	<b>56288 lb</b>



Position	Elev	Angle	Pipe	Pipe OD	Hole	Connector	Up (")	Ref
Rim	868.69'							
Reducer								
Invert 1	862'	270°	24" HDPE	27.8"	32"	Hole 32	49"	P2
Invert 2	862.11'	90°	24" HDPE	27.8"	32"	Hole 32	50.32"	P2
Invert 3								
Invert 4								
Invert 5								
Invert 6								
Invert 7								
Invert 8								



**Default - Interior Dimensions**



Submittal Drawing  
 10/27/2025 8:07:57 AM

SUBMITTAL  
 APPROVED BY: