

Job Name: 25-3423 Oberlin Camby (IN) 866651-10
 Job Location: Camby, IN
 Contractor: Contech Engineering Solutions

Plant: Beaver Dam

Tech: J. Coppage

9/30/2025 8:19:53 AM

PC: T. Sekula



Structure ID: 10-CS-10

P3 MH120RSVF

MH RISER Custom Ht

- P4) 120" - MH FLAT TOP SPEC. (2 - 24"ø F&G) - 18"
- P3) 120" - MH RISER Custom Ht - 81"
- P2) 120" - MH RISER Custom Ht - 48"
- P1) 120" - MH MONOBASE 14F, Custom Ht - 24"
- 1) CVSTENCILING
- 1) BRACKET INSTALLATION
- 3) 120" - Conseal CS-102 1.00"
- 2) Hole - 42

16623 lb
 28165 lb
 18234 lb
 27721 lb
 0 lb
 0 lb
 0 lb
 0 lb

 Structure Total: 90743 lb

Structure Notes:
 (4" CASTINGS PROVIDED BY OTHERS)

 CASTING FRAMES TO BE CAST INTO THE TOP SLAB

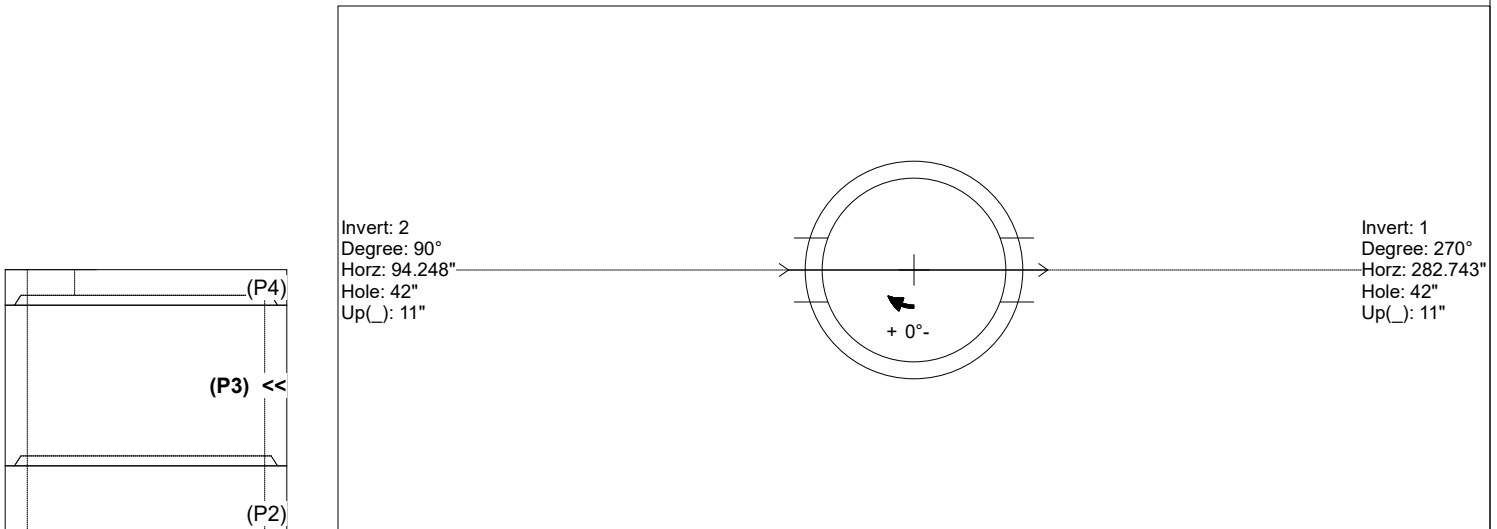
 CONTECH'S LOGO AS WELL AS THE INLET AND THE OUTLET MUST BE STENCILED ONTO THE STRUCTURE

 ICAST TO INSTALL THE INTERNAL BRACKETS
 INTERNAL COMPONENTS TO BE INSTALLED ON SITE BY CONTECH FIELD CONSULTANTS

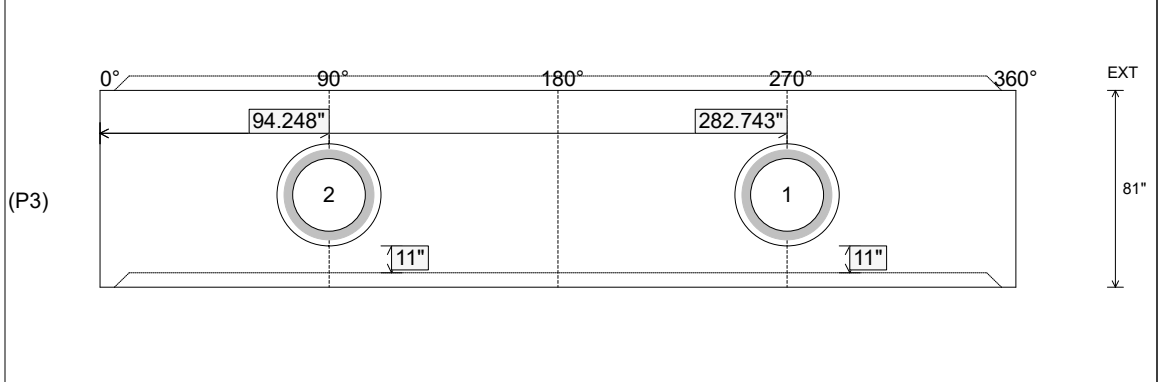
Rim: 782.23' Rim to Invert: 6.31' Slack: -0.28" Sump: 95" Step Position:

Position	Elev	Angle	Ext. (cw)	Pipe	Pipe OD	Connector	Hole	Horz Size	Up ()	Offset
Invert 1	775.92'	270°	334.58"	30" RCP B WALL	37"	Hole 42	42"	42.909"	11"	0"
Invert 2	775.92'	90°	111.527"	30" RCP B WALL	37"	Hole 42	42"	42.909"	11"	0"
Invert 3										
Invert 4										
Invert 5										
Invert 6										
Invert 7										
Invert 8										

RIGHT-SIDE UP VIEW (int. dimensions)



INSIDE WALL DIMENSIONS



Coating (Int): Coating (Ext):	Seam Up: Tongue Seam Dn: Groove	Wall Thickness: 11" Floor Height: 0"	Height (Int): 81" Height (Ext): 81"	Weight (Net): 28165 lb Volume (Net): 7.19cu.yd
----------------------------------	------------------------------------	---	--	---