

Job Name: 25-3422 - 861485 Kroger L-756
Job Location: Owensboro, KY
Contractor: Contech Engineering Solutions

PC: T. Sekula
 TECH: J. Coppage
 Plant: Beaver Dam



Structure ID: **10-CS-8**
 Spec: Storm-Pipe Centered
 Type: STM.MH
 Size: 96"

Rim: 415.85'
 Invert: 407.59'
 Rim to Invert: 8.26'

Sump: 75"
 Floor (Top): 401.34'
 Floor Height: 13"

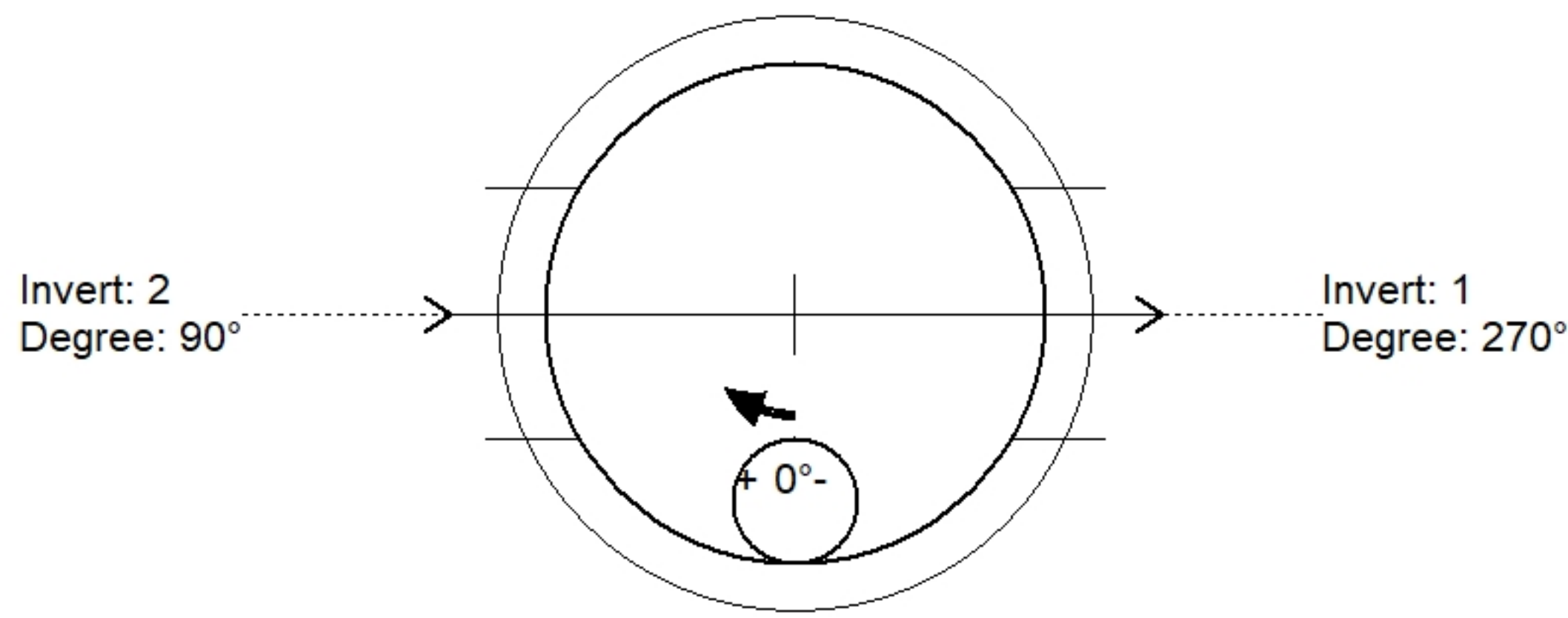
Floor (Bot): 400.257'
 Overall Height: 14.833'
 Slack: 9.12"

Structure Notes:
 (4" TALL CASTING PROVIDED BY OTHERS)

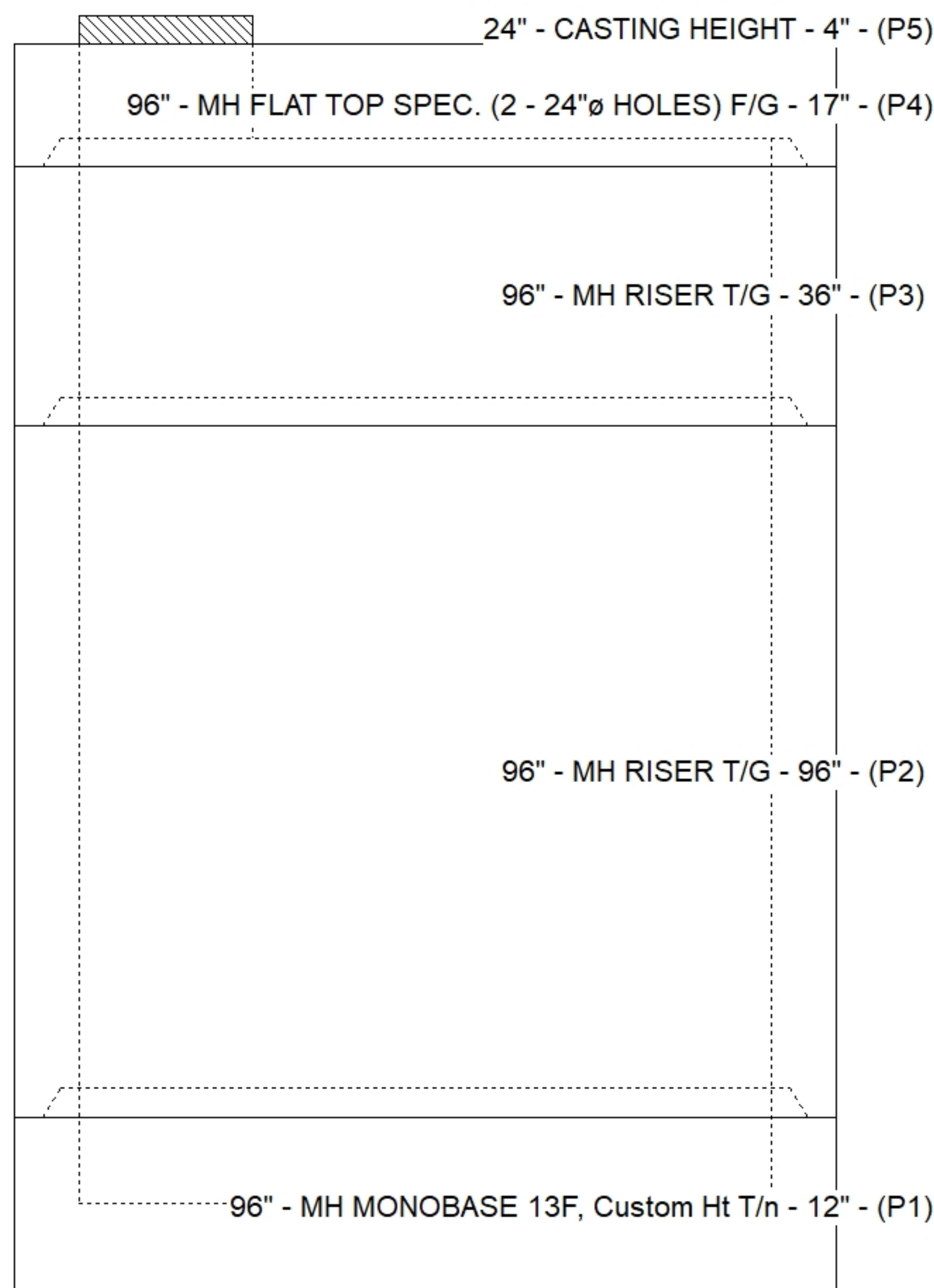
ICAST TO INSTALL THE INTERNALS
 CONTECH'S LOGO AS WELL AS THE
 INLET AND OUTLET MUST BE
 STENCILED ONTO THE STRUCTURE

STRUCTURE SUMMARY:

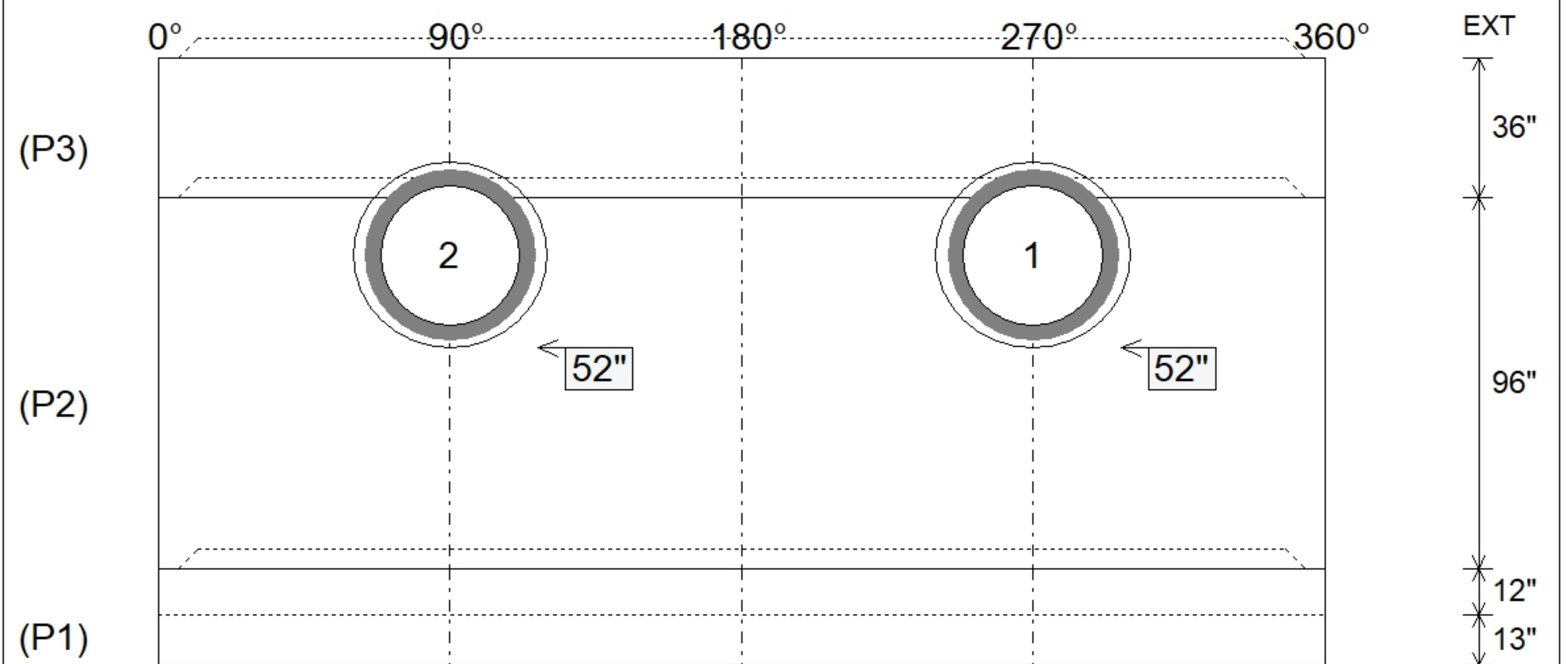
P5) 24" - CASTING HEIGHT - 4"	0 lb
P4) 96" - MH FLAT TOP SPEC. (2 - 24"Ø HOLES) F/G - 17"	10005 lb
P3) 96" - MH RISER T/G - 36"	8599 lb
P2) 96" - MH RISER T/G - 96"	21443 lb
P1) 96" - MH MONOBASE 13F, Custom Ht T/n - 12"	14124 lb
1) CVSTENCILING	0 lb
1) PSASSEMBLY	0 lb
3) 96" - Conseal CS-102 1.00"	0 lb
2) Hole - 48	0 lb
Structure Total:	54171 lb



Position	Elev	Angle	Pipe	Pipe OD	Hole	Connector	Up (L)	Ref
Rim	415.85'							
Reducer								
Invert 1	407.59'	270°	36" RCP B WALL	44"	48"	Hole 48	52"	P2
Invert 2	407.59'	90°	36" RCP B WALL	44"	48"	Hole 48	52"	P2
Invert 3								
Invert 4								
Invert 5								
Invert 6								
Invert 7								
Invert 8								



Cast (Int. Dim.) - Interior Dimensions



Submittal Drawing
 10/15/2025 6:05:46 PM

SUBMITTAL
 APPROVED BY: