

Job Name: 25-3419 - MSU Learning Commons
Job Location: Murray, KY
Contractor: Sykes Family Farms, LLC.

PC: E. Bradley
 TECH: J. Horsley - F
 Plant: 100



Structure ID: **San MH 1**

Spec: Sanitary
 Type: SAN.MH
 Size: 48"

Rim: 540.7'
 Invert: 533.5'
 Rim to Invert: 7.2'

Sump: 2"
 Floor (Top): 533.333'
 Floor Height: 6"

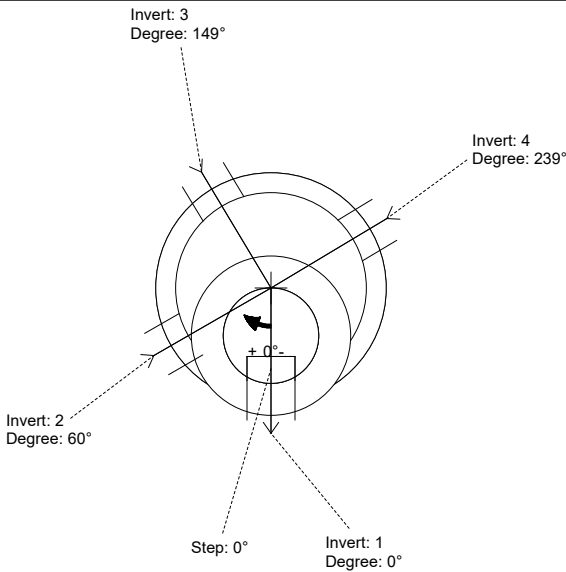
Floor (Bot): 532.833'
 Overall Height: 7.833'
 Slack: 0.4"

Structure Notes:

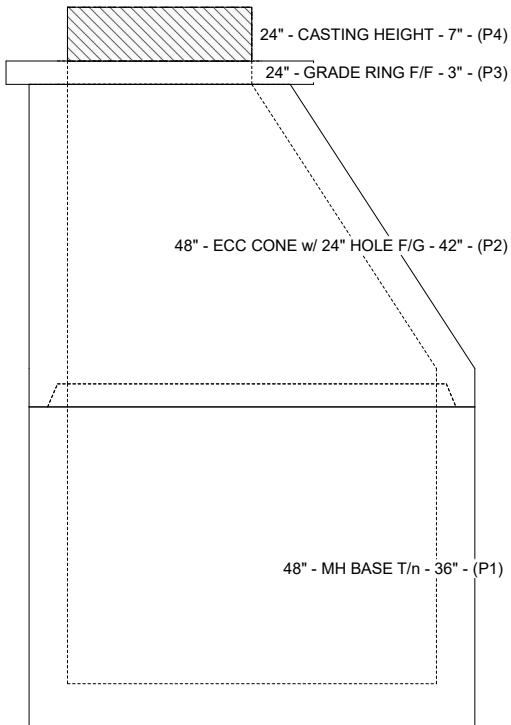
1. PER ASTM C-478 SPECIFICATIONS
2. CONCRETE: 4,000 PSI AT 28 DAYS
3. REINFORCEMENT: PER ASTM A615
4. INVERT CHANNEL REQUIRED
5. STEPS AT 0 DEGREES
6. HOE MC-375 FRAME & COVER "SANITARY" SUPPLIED BY ICAST

STRUCTURE SUMMARY:

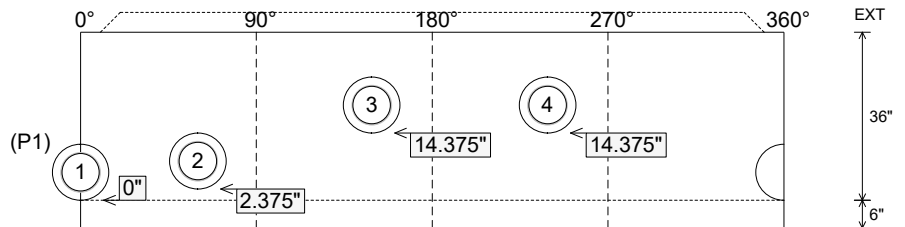
- P4) 24" - CASTING HEIGHT - 7" 0 lb
 - P3) 24" - GRADE RING F/F - 3" 202 lb
 - P2) 48" - ECC CONE w/ 24" HOLE F/G - 42" 3200 lb
 - P1) 48" - MH BASE T/n - 36" 3654 lb
 - 1) 48" - MH INVERT CHANNEL - FULL HEIGHT 1440 lb
 - 1) JOINT WRAP - 0.065"x6"x50' CONSEAL CS212 0 lb
 - 1) JOINT WRAP PRIMER - CONSEAL CS-75 (1 gal.) 0 lb
 - 1) CASTING - HOE MC-375 F/C Sanitary 271 lb
 - 1) 48" - Conseal CS-102 1.00" (Double) 0 lb
 - 4) PSX - 12-08 NYLO 32 lb
 - 6) MH Step ML-10-TDS-NCR - 10" 0 lb
- Structure Total: 8799 lb



Position	Elev	Angle	Pipe	Pipe OD	Hole	Connector	Up (")	Ref
Rim	540.7'							
Reducer								
Invert 1	533.5'	0°	8" PVC SDR35	8.5"	12"	PSX 12-08 NYLO	0"	P1
Invert 2	533.7'	60°	8" PVC SDR35	8.5"	12"	PSX 12-08 NYLO	2.375"	P1
Invert 3	534.7'	149°	8" PVC SDR35	8.5"	12"	PSX 12-08 NYLO	14.375"	P1
Invert 4	534.7'	239°	8" PVC SDR35	8.5"	12"	PSX 12-08 NYLO	14.375"	P1
Invert 5								
Invert 6								
Invert 7								
Invert 8								



Cast (Int. Dim.) - Interior Dimensions



Submittal Drawing
 2/24/2026 8:13:07 AM

SUBMITTAL
 APPROVED BY: