

Job Name: 25-3419 - MSU Learning Commons
Job Location: Murray, KY
Contractor: Sykes Family Farms, LLC.

PC: E. Bradley
 TECH: J. Horsley - F
 Plant: 100



Structure ID: INL 4
 Spec: Storm
 Type: BX 8inW, 8inF
 Size: 36" x 36"

Rim: 540.2'
 Invert: 535.5'
 Rim to Invert: 4.7'

Sump: 1.875"
 Floor (Top): 535.344'
 Floor Height: 8"

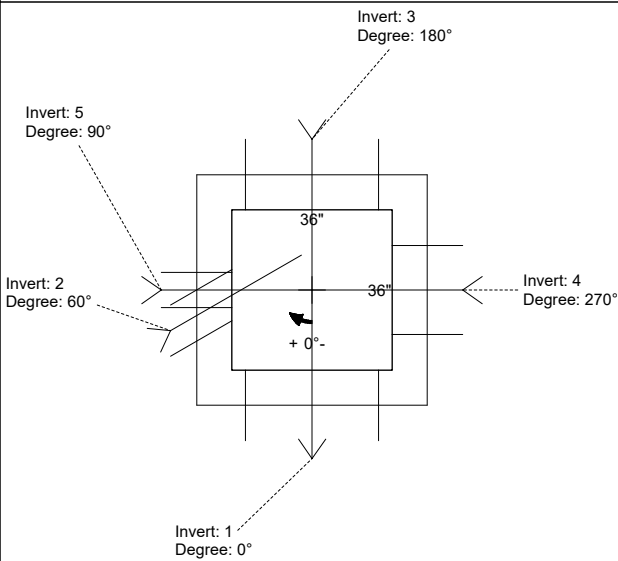
Floor (Bot): 534.677'
 Overall Height: 5.5'
 Slack: 0.275"

Structure Notes:

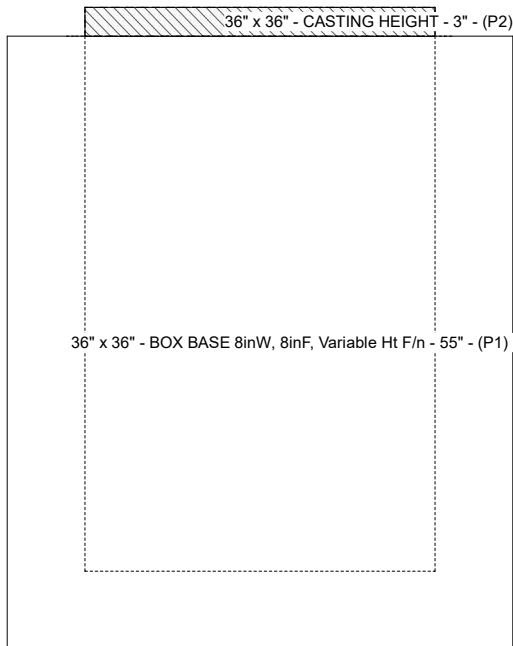
1. PER ASTM C-913 SPECIFICATIONS
2. CONCRETE: 4,000 PSI AT 28 DAYS
3. REINFORCEMENT: #5 BAR @ 12" C.C. E.W. (GRADE 60)
4. NO STORM INVERT
5. NO STEPS
6. HOE 595 FRAME & GRATES SUPPLIED BY ICAST

STRUCTURE SUMMARY:

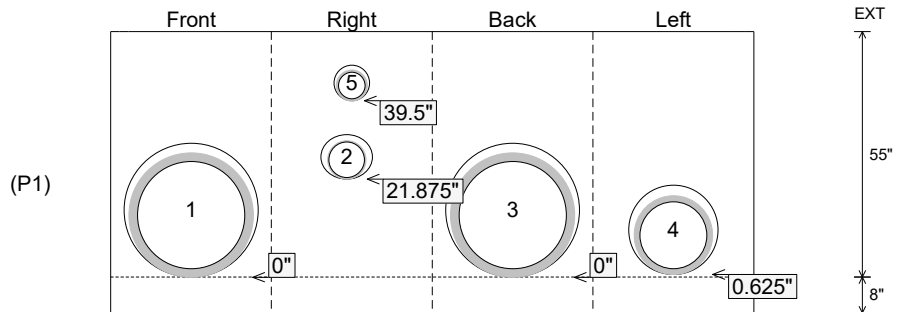
- P2) 36" x 36" - CASTING HEIGHT - 3" 0 lb
 P1) 36" x 36" - BOX BASE 8inW, 8inF, Variable Ht F/n - 55" 7059 lb
 1) CASTING - HOE 595 F/G 376 lb
 1) 36" x 36" - Conseal CS-102 1.00" 0 lb
 2) Hole - 30 0 lb
 1) Hole - 10 0 lb
 1) Hole - 20 0 lb
 1) Hole - 8 0 lb
- Structure Total: 7435 lb



| Position | Elev | Angle | Pipe | Pipe OD | Hole | Connector | Up (") | Ref |
|----------|---------|-------|---------------------|---------|------|-----------|---------|-----|
| Rim | 540.2' | | | | | | | |
| Reducer | | | | | | | | |
| Invert 1 | 535.5' | 0° | 24" HDPE | 27.8" | 30" | Hole 30 | 0" | P1 |
| Invert 2 | 537.2' | 60° | 8" PVC SCH40 | 8.625" | 10" | Hole 10 | 21.875" | P1 |
| Invert 3 | 535.5' | 180° | 24" HDPE | 27.8" | 30" | Hole 30 | 0" | P1 |
| Invert 4 | 535.5' | 270° | 15" HDPE | 17.6" | 20" | Hole 20 | 0.625" | P1 |
| Invert 5 | 538.67' | 90° | 6" HDPE (perf pipe) | 6.9" | 8" | Hole 8 | 39.5" | P1 |
| Invert 6 | | | | | | | | |
| Invert 7 | | | | | | | | |
| Invert 8 | | | | | | | | |



Cast (Int. Dim.) - Interior Dimensions



Submittal Drawing
 2/24/2026 8:12:52 AM

SUBMITTAL
 APPROVED BY: