

Job Name: 25-3419 - MSU Learning Commons
 Job Location: Murray, KY
 Contractor: Sykes Family Farms, LLC.

Plant: 100

2/24/2026 8:27:00 AM

Tech: J. Horsley - F

PC: E. Bradley



Structure ID: INL 3

P1 BX24240606VF

BOX BASE 6inW, 6inF, Variable Ht F/n

- P2) 24" x 24" - CASTING HEIGHT - 6"
- P1) 24" x 24" - BOX BASE 6inW, 6inF, Variable Ht F/n - 46"
- 1) CASTING - HOE 342 F/G
- 1) 24" x 24" - Conseal CS-102 1.00"
- 1) Hole - 20
- 1) Hole - 8

0 lb
 3248 lb
 250 lb
 0 lb
 0 lb
 0 lb

 0 lb

Structure Total: 3498 lb

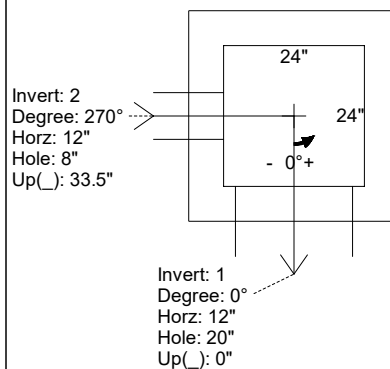
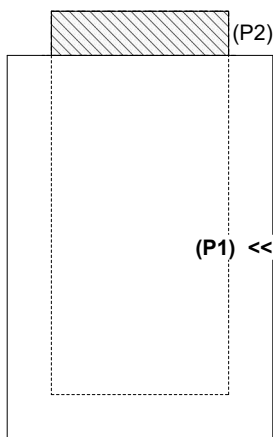
- Structure Notes:
1. PER ASTM C-913 SPECIFICATIONS
 2. CONCRETE: 4,000 PSI AT 28 DAYS
 3. REINFORCEMENT: #5 BAR @ 12" C.C. E.W. (GRADE 60) - 2" MIN. REBAR CLEARANCE (TYP)
 4. NO STORM INVERT
 5. NO STEPS
 6. HOE 342-B FRAME & GRATE SUPPLIED BY ICAST

Rim: 540.2' Rim to Invert: 4.3' Slack: 0.85" Sump: 1.25" Step Position:

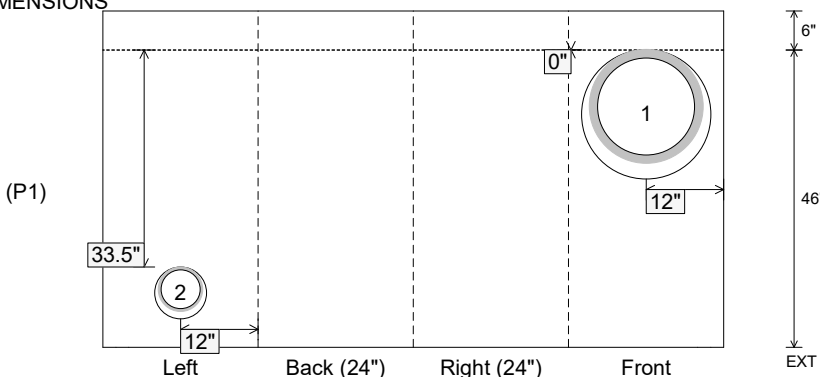
Position	Elev	Angle	Ext. (cw)	Pipe	Pipe OD	Connector	Hole	Horz Size	Up ()	Offset
Invert 1	535.9'	0°	18"	15" HDPE	17.6"	Hole 20	20"	20"	0"	0"
Invert 2	538.63'	270°	18"	6" HDPE (perf pipe)	6.9"	Hole 8	8"	8"	33.5"	0"
Invert 3										
Invert 4										
Invert 5										
Invert 6										
Invert 7										
Invert 8										

RIGHT-SIDE UP VIEW (int. dimensions)

UPSIDE-DOWN VIEW (int. dimensions)



INSIDE WALL DIMENSIONS



Coating (Int):
 Coating (Ext):

Seam Up: Flat
 Seam Dn: n/a

Wall Thickness: 6"
 Floor Height: 6"

Height (Int): 46"
 Height (Ext): 52"

Weight (Net): 3248 lb
 Volume (Net): 0.83cu.yd