

Structure ID: INL 13

P1 BX24240606VF

BOX BASE 6inW, 6inF, Variable Ht F/n

- P2) 24" x 24" - CASTING HEIGHT - 6"
- P1) 24" x 24" - BOX BASE 6inW, 6inF, Variable Ht F/n - 50"
- 1) CASTING - HOE 405 F/G
- 1) 24" x 24" - Conseal CS-102 1.00"
- 2) Hole - 20
- 1) Hole - 8

0 lb
 3332 lb
 407 lb
 0 lb
 0 lb
 0 lb

 0 lb

Structure Total: 3739 lb

Structure Notes:

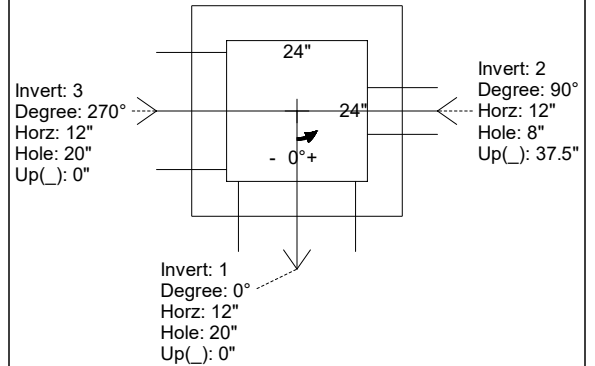
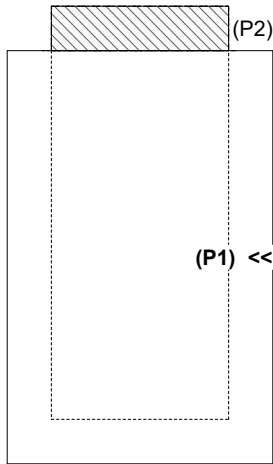
1. PER ASTM C-913 SPECIFICATIONS
2. CONCRETE: 4,000 PSI AT 28 DAYS
3. REINFORCEMENT: #5 BAR @ 12" C.C. E.W. (GRADE 60) - 2" MIN. REBAR CLEARANCE (TYP)
4. NO STORM INVERT
5. NO STEPS
6. HOE 405 FRAME & GRATE SUPPLIED BY ICAST

Rim: 540.2' Rim to Invert: 4.6' Slack: 0.45" Sump: 1.25" Step Position:

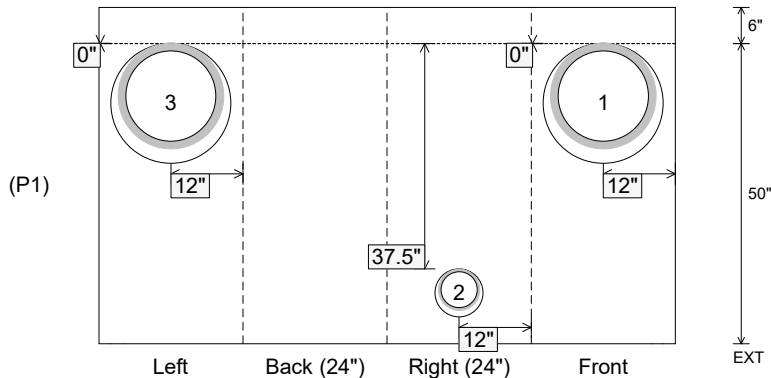
| Position | Elev | Angle | Ext. (cw) | Pipe | Pipe OD | Connector | Hole | Horz Size | Up () | Offset |
|----------|---------|-------|-----------|---------------------|---------|-----------|------|-----------|--------|--------|
| Invert 1 | 535.6' | 0° | 18" | 15" HDPE | 17.6" | Hole 20 | 20" | 20" | 0" | 0" |
| Invert 2 | 538.66' | 90° | 18" | 6" HDPE (perf pipe) | 6.9" | Hole 8 | 8" | 8" | 37.5" | 0" |
| Invert 3 | 535.6' | 270° | 18" | 15" HDPE | 17.6" | Hole 20 | 20" | 20" | 0" | 0" |
| Invert 4 | | | | | | | | | | |
| Invert 5 | | | | | | | | | | |
| Invert 6 | | | | | | | | | | |
| Invert 7 | | | | | | | | | | |
| Invert 8 | | | | | | | | | | |

RIGHT-SIDE UP VIEW (int. dimensions)

UPSIDE-DOWN VIEW (int. dimensions)



INSIDE WALL DIMENSIONS



| | | | | |
|----------------------------------|-------------------------------|--|--|--|
| Coating (Int): Coating (Ext): | Seam Up: Flat Seam Dn: n/a | Wall Thickness: 6" Floor Height: 6" | Height (Int): 50" Height (Ext): 56" | Weight (Net): 3332 lb Volume (Net): 0.85cu.yd |
|----------------------------------|-------------------------------|--|--|--|