

Job Name: 25-3419 - MSU Learning Commons
Job Location: Murray, KY
Contractor: Sykes Family Farms, LLC.

PC: E. Bradley
 TECH: J. Horsley - F
 Plant: 100



Structure ID: INL 12
 Spec: Storm
 Type: BX 6inW, 6inF
 Size: 24" x 24"

Rim: 539.7'
 Invert: 536.2'
 Rim to Invert: 3.5'

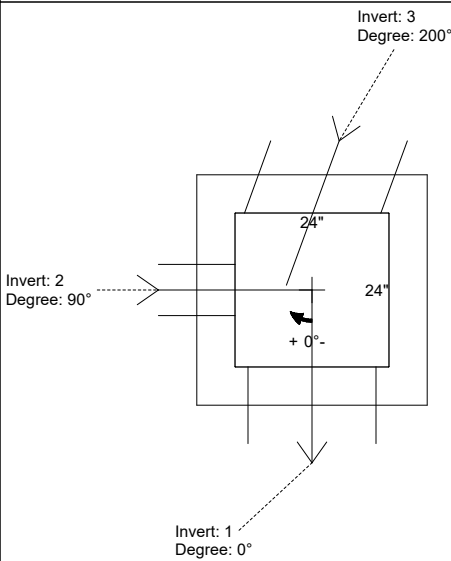
Sump: 1.25"
 Floor (Top): 536.096'
 Floor Height: 6"

Floor (Bot): 535.596'
 Overall Height: 4.083'
 Slack: 0.25"

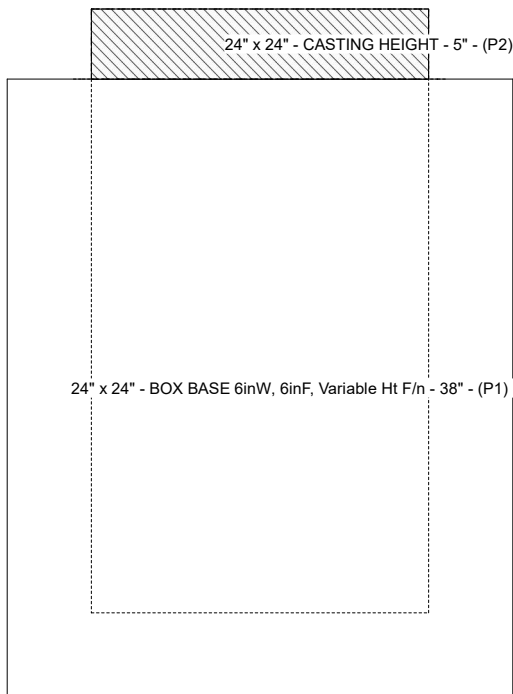
- Structure Notes:**
1. PER ASTM C-913 SPECIFICATIONS
 2. CONCRETE: 4,000 PSI AT 28 DAYS
 3. REINFORCEMENT: #5 BAR @ 12" C.C. E.W. (GRADE 60)
 4. NO STORM INVERT
 5. NO STEPS
 6. HOE KY-465 FRAME, GRATE, & CURB HOOD SUPPLIED BY ICAST

STRUCTURE SUMMARY:

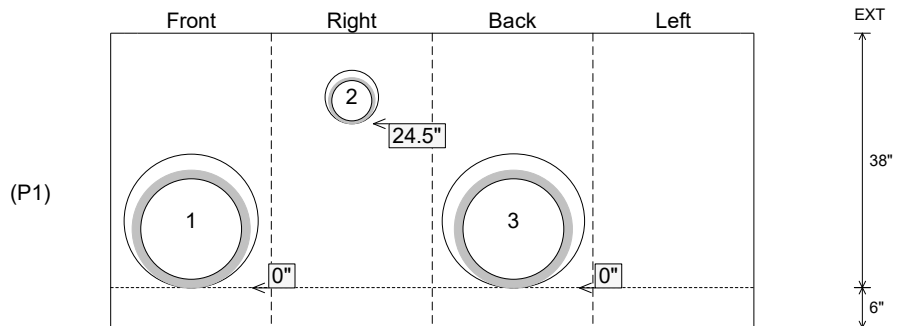
P2) 24" x 24" - CASTING HEIGHT - 5" 0 lb
 P1) 24" x 24" - BOX BASE 6inW, 6inF, Variable Ht F/n - 38" 2597 lb
 1) CASTING - HOE KY-465 SET (CBI TY F) 465 lb
 1) 24" x 24" - Conseal CS-102 1.00" 0 lb
 2) Hole - 20 0 lb
 1) Hole - 8 0 lb
 _____ 0 lb
 Structure Total: 3062 lb



Position	Elev	Angle	Pipe	Pipe OD	Hole	Connector	Up (L)	Ref
Rim	539.7'							
Reducer								
Invert 1	536.2'	0°	15" HDPE	17.6"	20"	Hole 20	0"	P1
Invert 2	538.17'	90°	6" HDPE (perf pipe)	6.9"	8"	Hole 8	24.5"	P1
Invert 3	536.2'	200°	15" HDPE	17.6"	20"	Hole 20	0"	P1
Invert 4								
Invert 5								
Invert 6								
Invert 7								
Invert 8								



Cast (Int. Dim.) - Interior Dimensions



Submittal Drawing
 2/24/2026 8:13:03 AM

SUBMITTAL
 APPROVED BY: