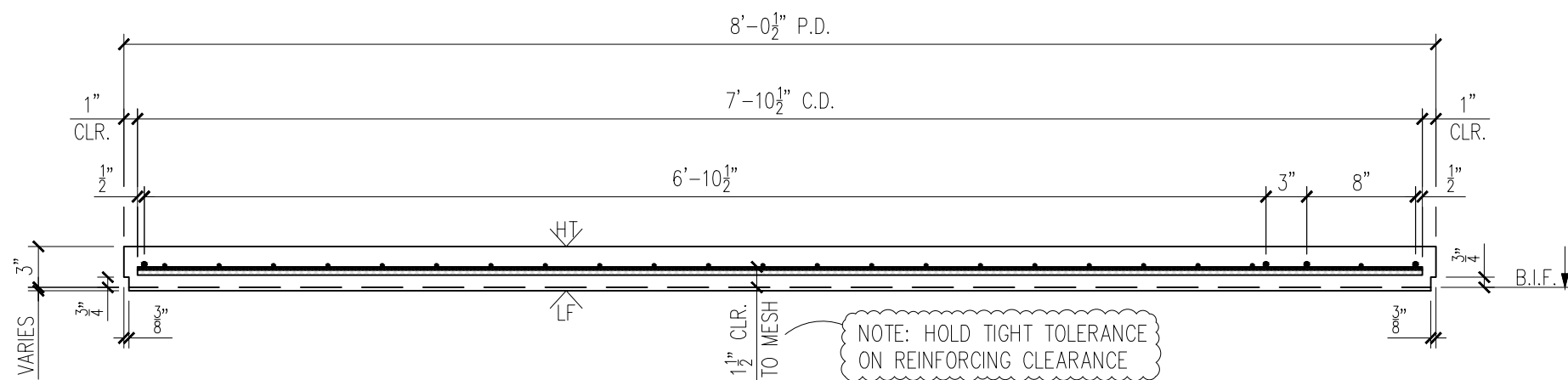
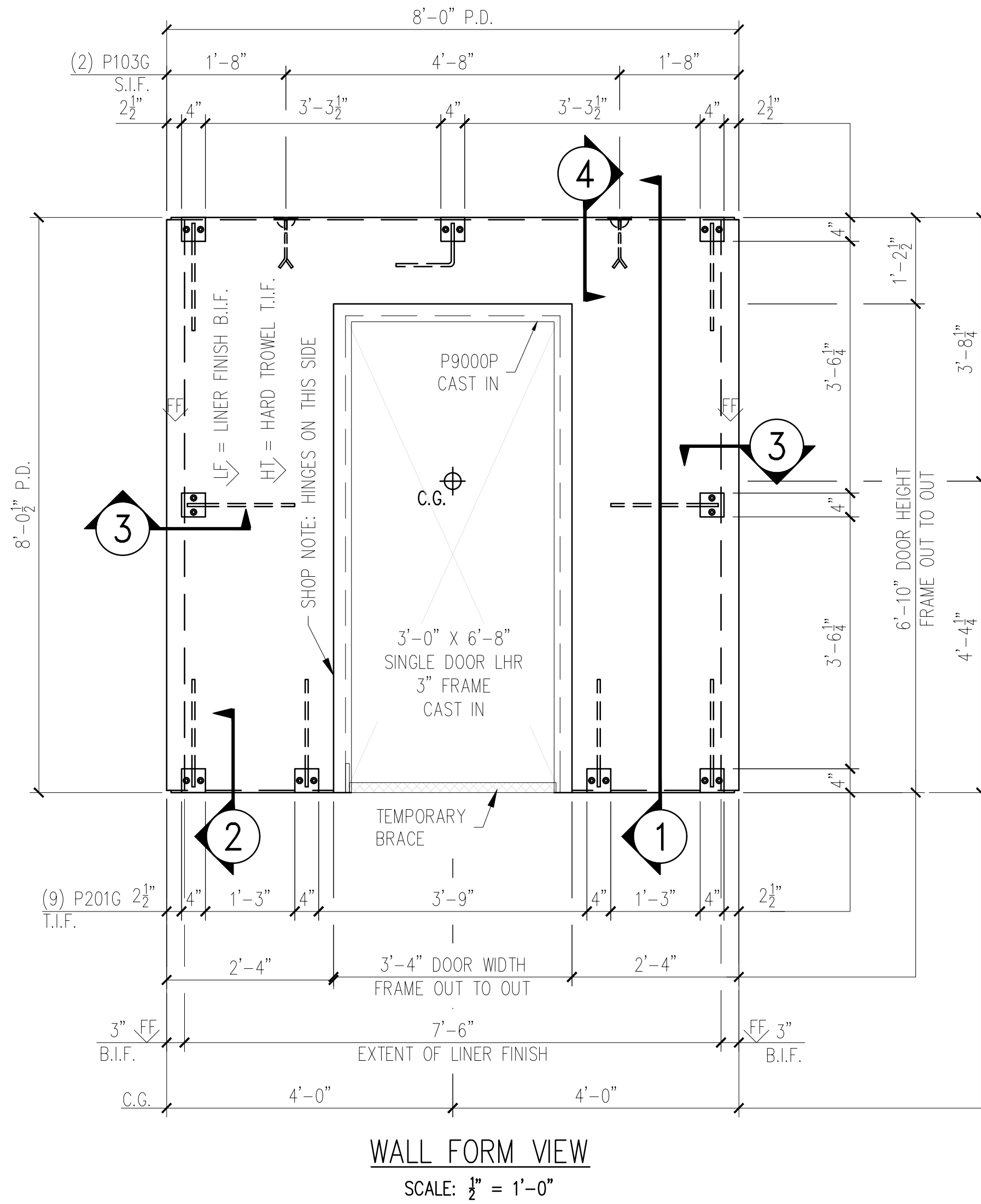
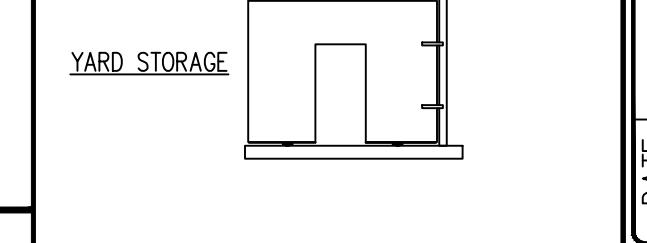
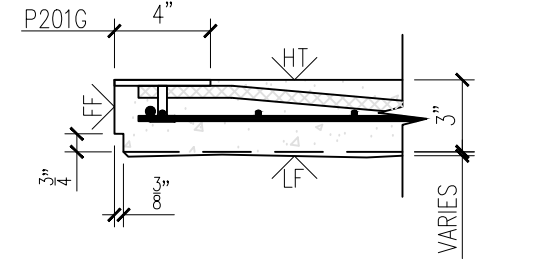
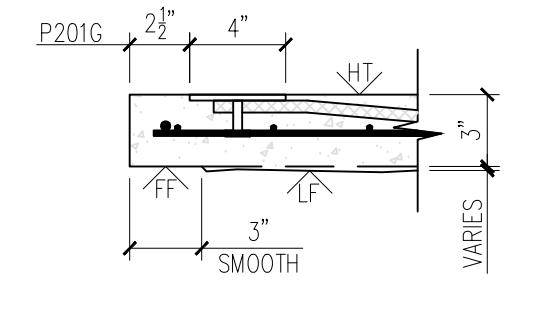
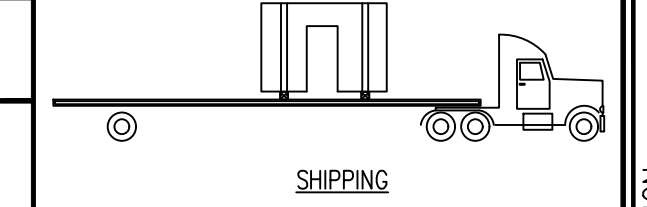
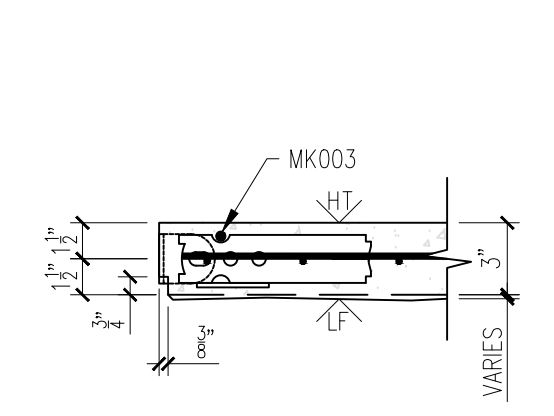


25-3415B - RIGHT HAND
Fairbanks Softball & Baseball Dugouts
Product ID - CVW
Wall - WP-05
Weight - 1,685 LBS Each
1 Required



BILL OF MATERIALS		
MARK #	DESCRIPTION	QTY
P201G	A36 STEEL 4"x4"x1/2" W/(2) 8"x1 1/2" HAS W/ 1'-4" BENT REBAR (GALV.)	9
P103G	2 TON RL-4 TECH ERECTION ANCHOR (79527SP) (GALV.)	2
P9000P	3'-0" X 6'-8" LHR 3" DOOR FRAME	1

HANDLING INSTRUCTIONS



CONCRETE MIXES	VOLUME	C.Y.
CONCRETE - GRAY	0.41	C.Y.
CONCRETE - MIX 1	-	C.Y.
CONCRETE - MIX 2	-	C.Y.
SOFT SOUND	-	C.Y.
TOTALS	0.41	C.Y.

WEIGHT: 1,685 LBS.

CONCRETE INSTRUCTIONS	
CONCRETE RELEASE @	2,500 P.S.I.
CONCRETE @ 28 DAYS:	5,000 P.S.I.
POST-TENSION @	3,500 P.S.I.

FINISHING INSTRUCTIONS	
L.F.	= LINER FINISH
H.T.	= HARD TROWEL FINISH
FF	= FORM FINISH
L = 8'-0"	SQ.FT.(T.I.F.) = 41.45
W = 8'-0 1/2"	SQ.FT.(T.I.F.) = -
D = 3"	SQ.FT.(T.I.F.) = -

MESSAGE CENTER

- REFER TO DETAILS FOR REINFORCEMENT/CABLE PLACEMENT
- SHOP TICKET SHOWS EXTERIOR FACE OF PANEL CAST FACE DOWN

CHECKED BY: _____ DATE: _____
 APPROVED BY: _____ DATE: _____

CONTROL NUMBERS:	
PRODUCT	SALES ORDER NUMBER
ESW BUILDING	-
SHEET NUMBER	NUMBER REQUIRED
1 OF 2	1

EASI-SET® WORLDWIDE
 5119 Catlett Rd. • Midland, VA 22728 • info@EasiSet.com
 www.EasiSet.com • 800-547-4045 • Fax 540-439-2541

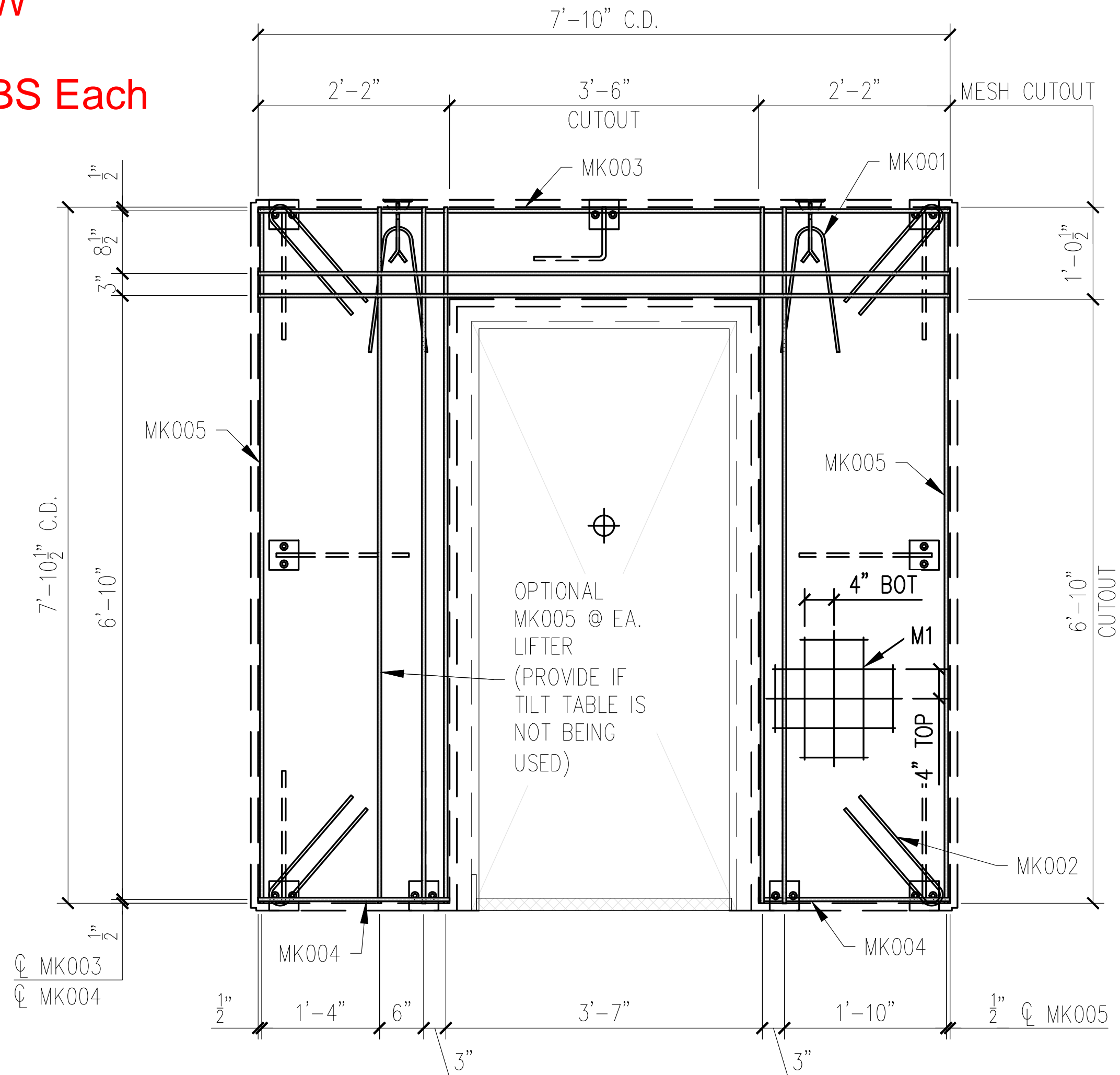
REV	INI.	DESCRIPTION	DATE
1	-	-	-
2	-	-	-
3	-	-	-
4	-	-	-
5	-	-	-

PROJECT: 38'x8' EASI-SET DUGOUT
 FAIRBANKS DUGOUTS
 MILFORD CENTER, OH
 CONTRACTOR: LEVAN'S EXCAVATING, INC.

SCALE	NTS
DRAWN BY	FTL
CHECK BY	WCR
ISSUE DATE	01.07.26
PIECE MARK	WP-05

25-3415B - RIGHT HAND
Fairbanks Softball & Baseball Dugouts
Product ID - CVW
Wall - WP-05
Weight - 1,685 LBS Each
1 Required

SHOP NOTE:
 DIMENSIONS PROVIDED ARE PULLED FROM EDGE OF
 CAGE TO CENTERLINE OF REBAR AND TO CENTER
 OF REBAR TO CENTER OF REBAR



WALL REINFORCING VIEW

SCALE: 1/2" = 1'-0"

MESSAGE CENTER

1. REFER TO DETAILS FOR REINFORCEMENT/CABLE PLACEMENT

2. SUPPLEMENTAL STEEL FOR STRIPPING AND HANDLING MAY BE ADDED AS REQUIRED.

CHECKED BY: DATE:
 APPROVED BY: DATE:

NOTES:

1. TRIM PLASTIC SHEATH AT BOTH ENDS OF THE PT CABLE TO FIT BETWEEN U-5 ANCHOR PLATES

2. CONSTRUCT REBAR-MESH CAGE ACCORDING TO THE DRAWINGS. SECURE LIFTING APPARATUS TO FORM AND ADD PROPER REINFORCEMENT. PLACE REBAR-MESH CAGE AND HAIRPINS AT INSERTS WITH PROPER CLEARANCES (PER DRAWINGS).

3. PLACE AND SECURE PT CABLE AS INDICATED ON THE DRAWINGS (REINFORCING VIEW)

PRODUCT	SALES ORDER NUMBER
ESW BUILDING	-
SHEET NUMBER	NUMBER REQUIRED
2 OF 2	1

REINFORCING SCHEDULE		
MARK #	DESCRIPTION	QTY.
MK001	#3 X 3'-0"	2
MK002	#3 X 3'-1"	4
MK003	#3 X 7'-10"	3
MK004	#3 X 2'-2"	2
MK005	#3 X 7'-10 1/2"	6
MESH SCHEDULE		
MARK #	DESCRIPTION	QTY.
M1	W4XW4 4"x4" WWF 7'-10 1/2" x 7'-10"	1

DATE	DESCRIPTION	INI.	REV.
-	-	-	△
-	-	-	△
-	-	-	△
-	-	-	△

PROJECT: 38'x8' EASI-SET DUGOUT
 FAIRBANKS DUGOUTS
 MILFORD CENTER, OH
 CONTRACTOR: LEVAN'S EXCAVATING, INC.

SCALE	NTS
DRAWN BY	FTL
CHECK BY	WCR
ISSUE DATE	01.07.26
PIECE MARK	WP-05

EASI-SET® WORLDWIDE
SET® WORLDWIDE
 5119 Catlett Rd. • Midland, VA 22728 • info@EasiSet.com
 www.EasiSet.com • 800-547-4045 • Fax 540-439-2541