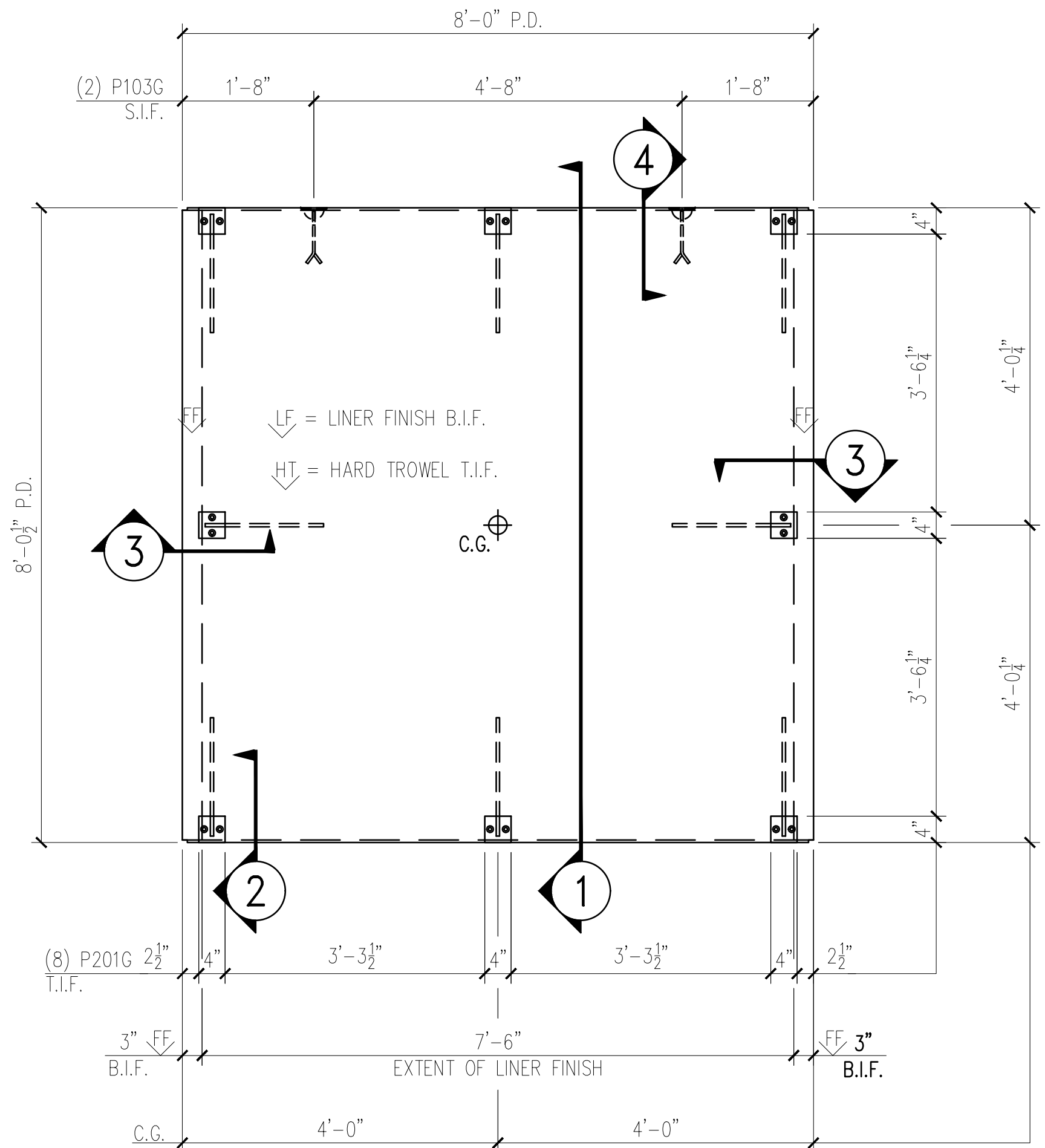
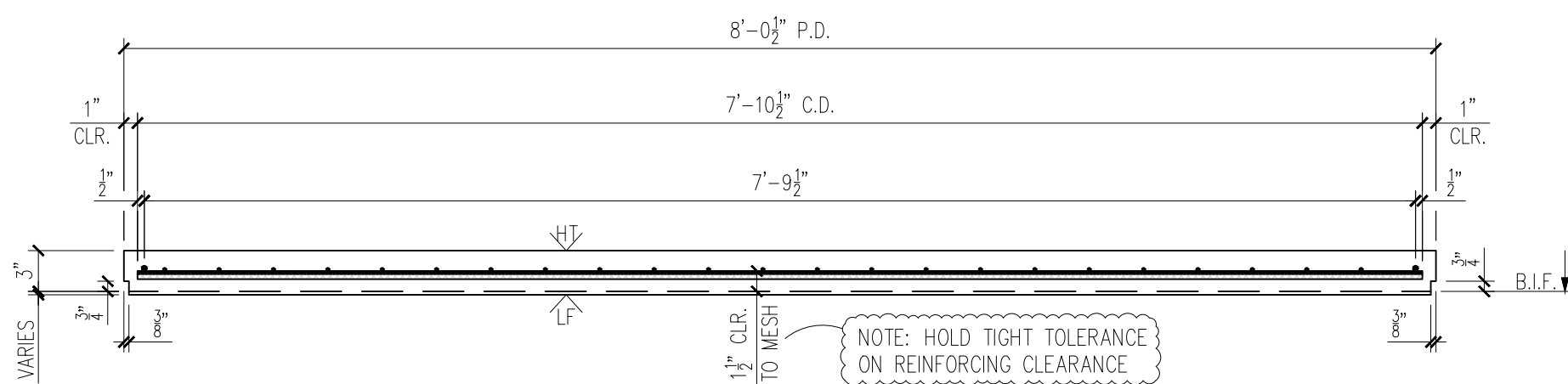


**25-3415B - LEFT HAND**  
**Fairbanks Softball & Baseball Dugouts**  
**Product ID - CVW**  
**Wall - WP-05**  
**Weight - 2,615 LBS Each**  
**1 Required**

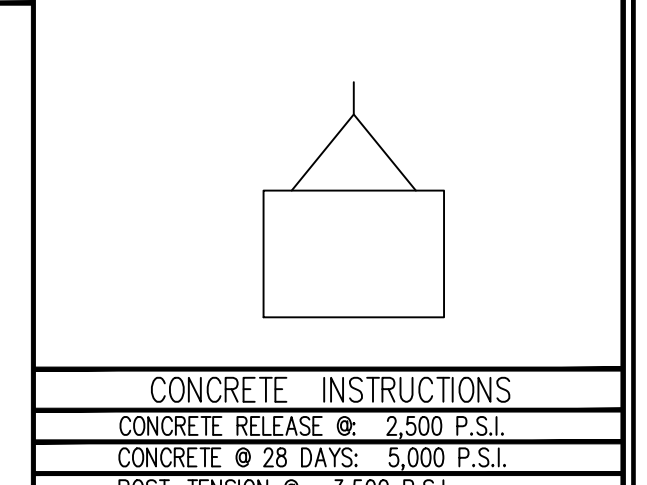
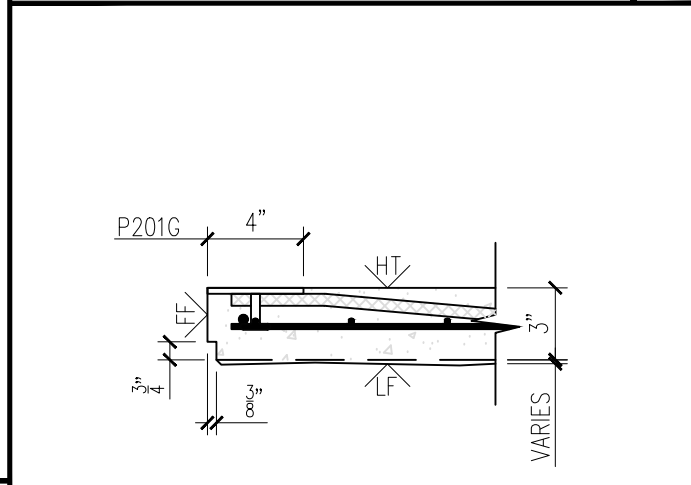
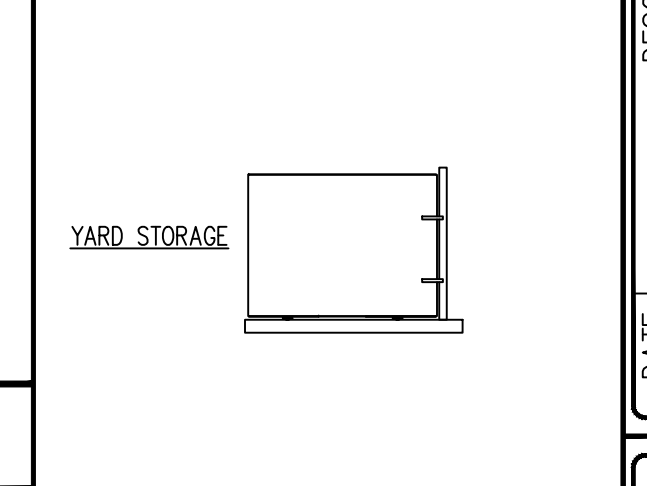
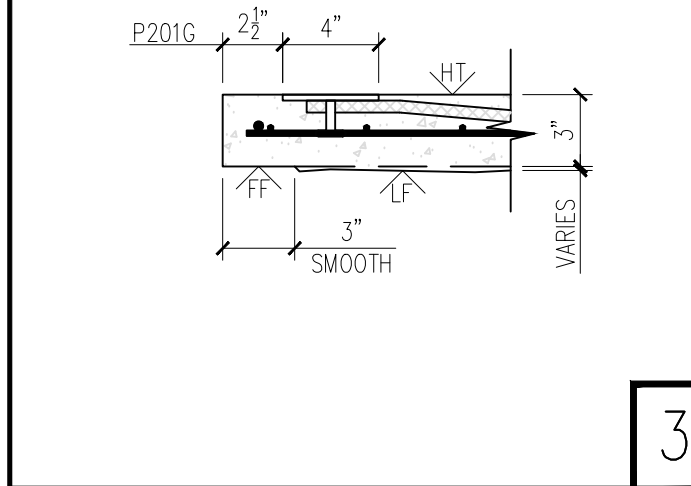
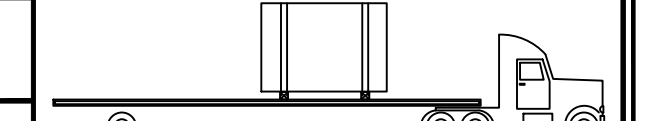
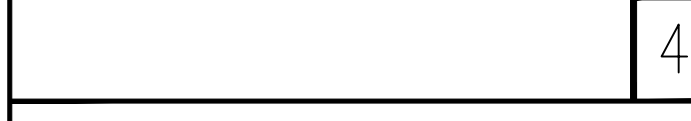
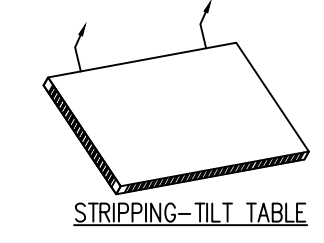
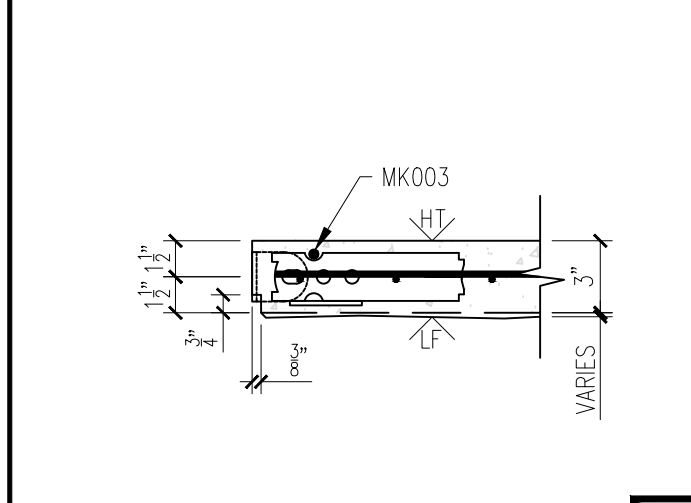


**WALL FORM VIEW**  
 SCALE: 1/2" = 1'-0"



BILL OF MATERIALS		
MARK #	DESCRIPTION	QTY.
P201G	A36 STEEL 4"x4"x1/2" W/(2) 8"Øx1 1/2" HAS W/ 1'-4" BENT REBAR (GALV.)	8
P103G	2 TON RL-4 TECH ERECTION ANCHOR (79527SP) (GALV.)	2

**HANDLING INSTRUCTIONS**



CONCRETE INSTRUCTIONS	
CONCRETE RELEASE @:	2,500 P.S.I.
CONCRETE @ 28 DAYS:	5,000 P.S.I.
POST-TENSION @:	3,500 P.S.I.
CONCRETE MIXES	
CONCRETE - GRAY	VOLUME = 0.64 C.Y.
CONCRETE - MIX 1	VOLUME = - C.Y.
CONCRETE - MIX 2	VOLUME = - C.Y.
SOFT SOUND	VOLUME = - C.Y.
TOTALS	VOLUME = 0.64 C.Y.
WEIGHT:	2,615 LBS.

**FINISHING INSTRUCTIONS**

LF = LINER FINISH	
HT = HARD TROWEL FINISH	
FF = FORM FINISH	
L = 8'-0"	SQ.FT.(T.I.F.) = 64.3
W = 8'-0 1/2"	SQ.FT.(T.I.F.) = -
D = 3"	SQ.FT.(T.I.F.) = -
CONTROL NUMBERS:	
-	
-	

**MESSAGE CENTER**

- REFER TO DETAILS FOR REINFORCEMENT/CABLE PLACEMENT
- SHOP TICKET SHOWS EXTERIOR FACE OF PANEL CAST FACE DOWN

CHECKED BY: \_\_\_\_\_ DATE: \_\_\_\_\_  
 APPROVED BY: \_\_\_\_\_ DATE: \_\_\_\_\_

PRODUCT	SALES ORDER NUMBER
ESW BUILDING	-
SHEET NUMBER	NUMBER REQUIRED
1 OF 2	1

**EASI-SET WORLDWIDE**  
 5119 Catlett Rd. • Midland, VA 22728 • info@EasiSet.com  
 www.EasiSet.com • 800-547-4045 • Fax 540-439-2541

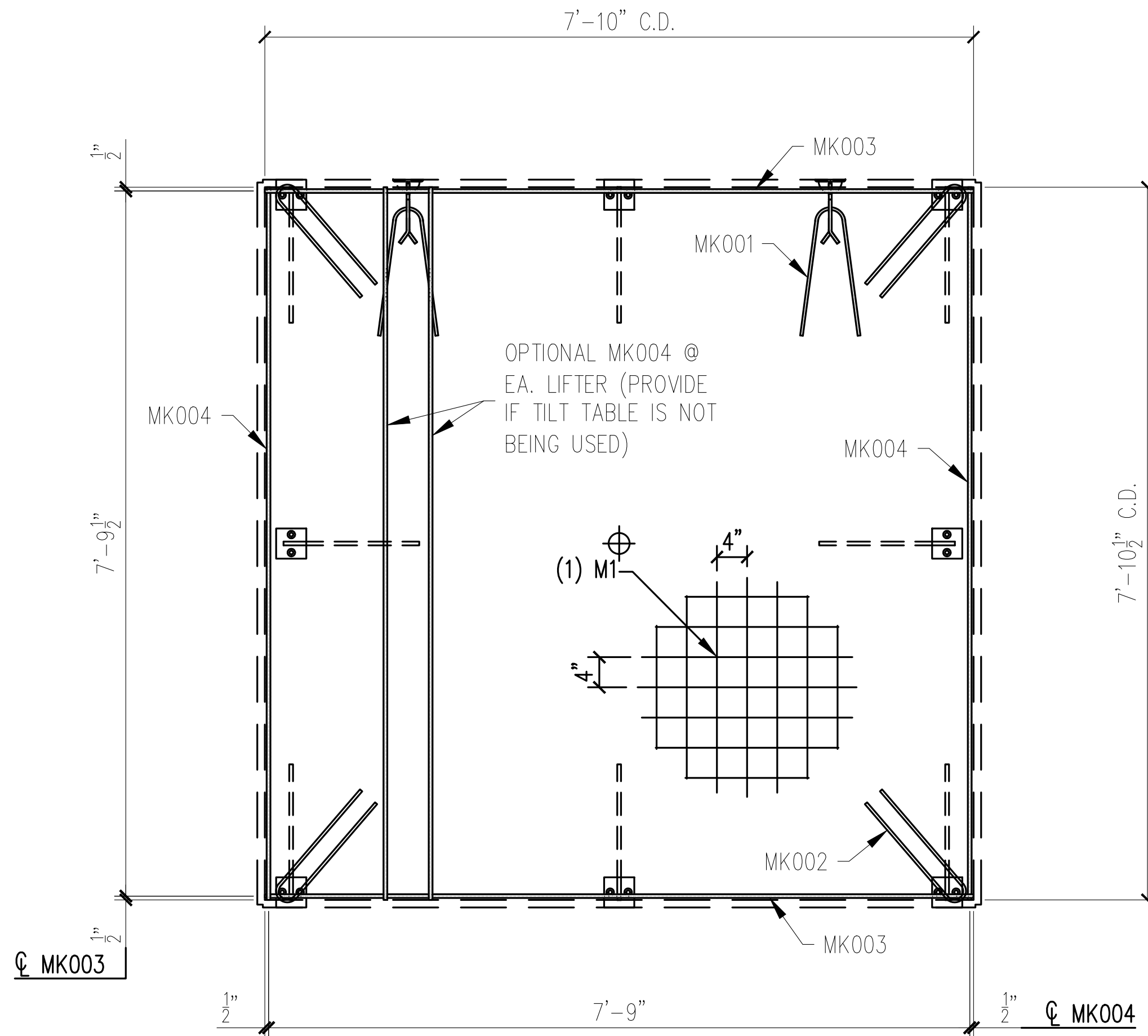
REV	INI.	DESCRIPTION	DATE
Δ	-	-	-
Δ	-	-	-
Δ	-	-	-
Δ	-	-	-

PROJECT: 38'x8' EASI-SET DUGOUT  
 FAIRBANKS DUGOUTS  
 MILFORD CENTER, OH  
 CONTRACTOR: LEVAN'S EXCAVATING, INC.

SCALE	NTS
DRAWN BY	FTL
CHECK BY	WCR
ISSUE DATE	12.11.25
PIECE MARK	WP-05

**25-3415B - LEFT HAND**  
**Fairbanks Softball & Baseball Dugouts**  
**Product ID - CVW**  
**Wall - WP-05**  
**Weight - 2,615 LBS Each**  
**1 Required**

SHOP NOTE:  
 DIMENSIONS PROVIDED ARE PULLED FROM EDGE OF  
 CAGE TO CENTERLINE OF REBAR AND TO CENTER  
 OF REBAR TO CENTER OF REBAR



**WALL REINFORCING VIEW**  
 SCALE:  $\frac{1}{2}'' = 1'-0''$

REINFORCING SCHEDULE		
MARK #	DESCRIPTION	QTY.
MK001	#3 X 3'-0"	2
MK002	#3 X 3'-1"	4
MK003	#3 X 7'-10"	2
MK004	#3 X 7'-10 1/2"	2
MESH SCHEDULE		
MARK #	DESCRIPTION	QTY.
M1	W4XW4 4"x4" WWF 7'-10 1/2" x 7'-10"	1

**EASI-SET® WORLDWIDE**  
 5119 Catlett Rd. • Midland, VA 22728 • info@EasiSet.com  
 www.EasiSet.com • 800-547-4045 • Fax 540-439-2541

REV	INI.	DESCRIPTION	DATE
△	-	-	-
△	-	-	-
△	-	-	-
△	-	-	-

PROJECT: 38'x8'x8' EASI-SET DUGOUT  
 FAIRBANKS DUGOUTS  
 MILFORD CENTER, OH  
 CONTRACTOR: LEVAN'S EXCAVATING, INC.

SCALE: NTS  
 DRAWN BY: FTL  
 CHECK BY: WCR  
 ISSUE DATE: 12.11.25  
 PIECE MARK: WP-05

MESSAGE CENTER

1. REFER TO DETAILS FOR REINFORCEMENT/CABLE PLACEMENT

2. SUPPLEMENTAL STEEL FOR STRIPPING AND HANDLING MAY BE ADDED AS REQUIRED.

CHECKED BY: DATE: APPROVED BY: DATE:

NOTES:

1. TRIM PLASTIC SHEATH AT BOTH ENDS OF THE PT CABLE TO FIT BETWEEN U-5 ANCHOR PLATES
2. CONSTRUCT REBAR-MESH CAGE ACCORDING TO THE DRAWINGS. SECURE LIFTING APPARATUS TO FORM AND ADD PROPER REINFORCEMENT. PLACE REBAR-MESH CAGE AND HAIRPINS AT INSERTS WITH PROPER CLEARANCES (PER DRAWINGS).
3. PLACE AND SECURE PT CABLE AS INDICATED ON THE DRAWINGS (REINFORCING VIEW)

PRODUCT	SALES ORDER NUMBER
ESW BUILDING	-
SHEET NUMBER	NUMBER REQUIRED
2 OF 2	1