

DRAWING PACKAGE NUMBER: 080808C

38'-0" X 8'-0" X 8'-0" EASI-SET

FAIRBANKS DUGOUTS

CUSTOMER: LeVAN'S EXCAVATING, INC

PROJECT: FAIRBANKS SOFTBALL & BASEBALL DUGOUTS,  
MILFORD CENTER, OH

PRODUCER: INFRASTRUCTURE PRECAST

GENERAL NOTES:

1. THE DOCUMENTS CONTAINED IN THIS PACKAGE ARE TO BE USED BY THE LICENSED PRODUCER FOR PRODUCTION ONLY AND NOT INTENDED TO BE SUBMITTED FOR APPROVAL BY THE CLIENT UNLESS SPECIAL CIRCUMSTANCES DICTATE
2. EACH LICENSED PRODUCER HAS AN OBLIGATION TO PROTECT THE MEANS AND METHODS CONTAINED HEREIN BY NOT MAKING THESE DETAILS AVAILABLE TO CLIENTS UNLESS APPROVED BY EASI-SET
3. THIS PACKAGE CONTAINS INFORMATION THAT IS PRIVILEGED AND CONFIDENTIAL AND IS NOT INTENDED TO REPLACE THE "DUE DILIGENCE" REQUIRED OF THE LICENSED CONTRACT HOLDER.
4. REINFORCEMENT SUBSTITUTION IS PERMITTED AT THE PRODUCERS DISCRETION PROVIDED EQUIVALENT STEEL IS MAINTAINED.
5. REINFORCEMENT CLEARANCES SHOWN ARE FOR THE NOTED FINISH. OTHER FINISHES MAY REQUIRE DIFFERENT CLEARANCES.
6. THE SHOP TICKETS PROVIDED SHOW THE EXTERIOR WALL FINISH CAST FACE DOWN (BOTTOM IN FORM), INSIDE FLOOR SURFACE CAST FACE DOWN, AND EXTERIOR ROOF SURFACE CAST FACE UP (TOP IN FORM)
7. TO ENSURE SQUARENESS, CHECK DIAGONALS.
8. THERE ARE NO IMPLIED WARRANTIES OR GUARANTEES.

LEGEND

⊗ DENOTES SECTION/DETAIL NO.

ABBREVIATIONS:

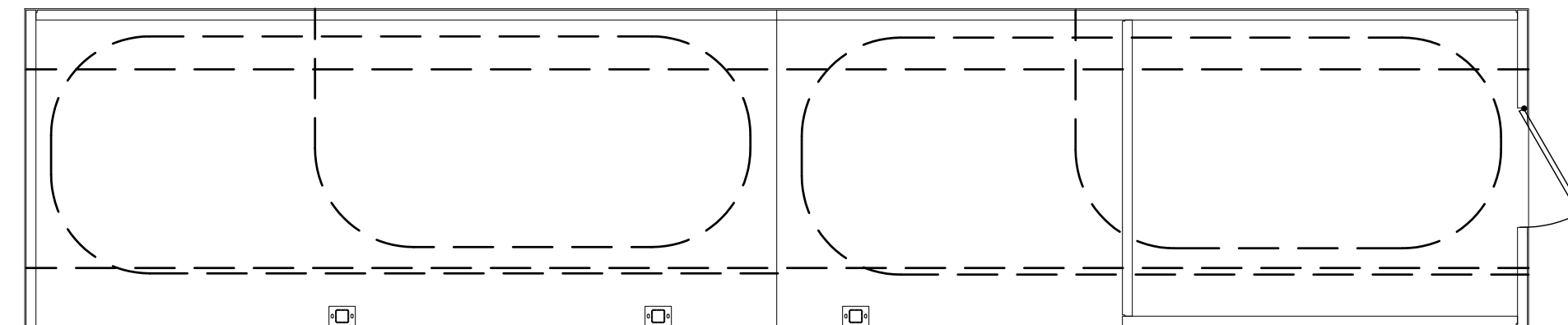
- CLR = CLEAR
- P.D. = PANEL DIMENSION
- R.O. = ROUGH OPENING
- TYP. = TYPICAL
- B.I.F. = BOTTOM IN FORM
- T.I.F. = TOP IN FORM
- S.I.F. = SIDE IN FORM

**25-3415B - RIGHT HAND  
Fairbanks Softball & Baseball Dugouts  
FINISH AND ASSEMBLY  
INFORMATION**

PREPARED FOR:



PRODUCTION DRAWINGS



FINISHES AND COLORS:

<u>WALLS</u>	<u>ROOF</u>
FINISH: SPLIT FACE BLOCK FINISH	FINISH: BROOM FINISH
STAIN: EXTERIOR - CEMENTED DEAL	STAIN: EXTERIOR - CHARRED WALNUT
INTERIOR/TRIM - WHITE	INTERIOR/TRIM - WHITE

PRODUCTION DRAWING INDEX

DWG	SHEET TITLE	REVISION NO.	DATE
P-01	COVERSHEET		01.06.25
P-02	STRESSING PROCEDURES		01.06.25
P-03	SHIPPING/HANDLING GUIDE		01.06.25
FP-01	FLOOR PANEL TICKET		01.06.25
FP-02	FLOOR PANEL TICKET		01.06.25
WP-01	BACK WALL TICKET		01.06.25
WP-02	FRONT WALL TICKET		01.06.25
WP-03	BACK WALL TICKET		01.06.25
WP-04	RIGHT WALL TICKET		01.06.25
WP-05	LEFT WALL TICKET		01.06.25
WP-06	INTERIOR WALL TICKET		01.06.25
RP-01	ROOF PANEL TICKET		01.06.25
RP-02	ROOF PANEL TICKET		01.06.25

BILL OF MATERIALS-MASTER LIST

MARK NO.	DESCRIPTION	QTY
P101L	1/2"Ø x 1 3/4" F-63 COIL INSERT	6
P102G	P-4 LIFTING ANGLE	8
P103G	2-TON TECH ERECTION ANCHOR	32
P104P	U-5 POST TENSION ANCHOR	16
P106G	2-TON PLATE ANCHOR	8
P9000G (FLOOR)	1"Ø E.M.T. TUBE 18'-8 3/8" LONG (GALV.)-FOR FLOOR PANELS	4
P9000G (ROOF)	1"Ø E.M.T. TUBE 18'-11" LONG (GALV.)-FOR ROOF PANELS	4
P201G	PL 4"x4"x1/4" (A36) W/(2) 3/8"x 1 1/2" HAS W/1'-4" BENT REBAR (GALVANIZED)	90

L = ELECTROPLATED FINISH      G = GALVANIZED FINISH  
P = PLAIN (MANUFACTURER) FINISH      R = RED OXIDE FINISH

**EASI-SET® WORLDWIDE**  
5119 Callett Rd. • Midland, VA 22728 • info@EasiSet.com  
www.EasiSet.com • 800-547-4045 • Fax 540-439-2541

DATE	REV	INI.	DESCRIPTION
-	-	-	-
-	-	-	-
-	-	-	-
-	-	-	-

PROJECT: 38'-0" X 8'-0" X 8'-0" EASI-SET  
FAIRBANKS DUGOUTS  
CONTRACTOR: INFRASTRUCTURE PRECAST

COVERSHEET  
SCALE  
DRAWN BY JAD  
CHECK BY WCR  
ISSUE DATE 12.31.25  
SHEET P-01

# 25-3415B - RIGHT HAND

## Fairbanks Softball & Baseball Dugouts

### FINISH AND ASSEMBLY

### INFORMATION

#### RECOMMENDED STRESSING PROCEDURES For Roofs and Floors – Model 080838C

1. Remove form rails. Verify concrete strength with Schmidt Hammer or cylinder breaks. Concrete shall be a minimum of 3,500 PSI before cable can be stressed.
2. Remove recessed plastic pocket-formers at the post-tensioning anchor.
3. Remove the plastic sheath from the strand all the way from the base of the anchor to the end of the strand. Clean off grease from exposed portion of cable. Use a suitable solvent. Never heat or use flame on the cable.
4. Insure that the tapered holes in the anchors are cleaned and free of any debris or cement paste, which might interfere with proper wedge seating.
5. Install wedge sets around the strand at each anchor. Press the wedges in with the fingers evenly. Then, using a hand wedge setter, engage the wedges securely so that the stress will be evenly distributed over the wires of the strand.
6. Slide the stressing jack over the cable and place against the wedges installed in the cast-in anchors (see details A & B).
7. Using manufacturer recommendations, properly secure the stressing jack to the strand.
9. Standing back from the system, engage the jack to stress the strands until the pump pressure gauge corresponds to 33 K required tension on the 1/2" cable and note the elongation achieved. Whenever stressing, be sure to observe safety precautions and operator positioning in anticipation of unexpected failures.  
NOTE: Force in the tendons shall always be measured by gauge readings and verified by elongation. Compare the elongation noted during stressing to the theoretical (calculated) elongation to ensure proper pull (tension) is reached. Refer to industry manuals (PCI) for the proper methods of calculating elongation.
10. Release pump pressure slowly and remove the jacking system and temporary stressing anchor. Your post release tension on the cable will be 28.5 K.
11. Cut off strand tails at 1" from the wedge and pack the holes with permanent grout. Repeat procedure for other end of cable.

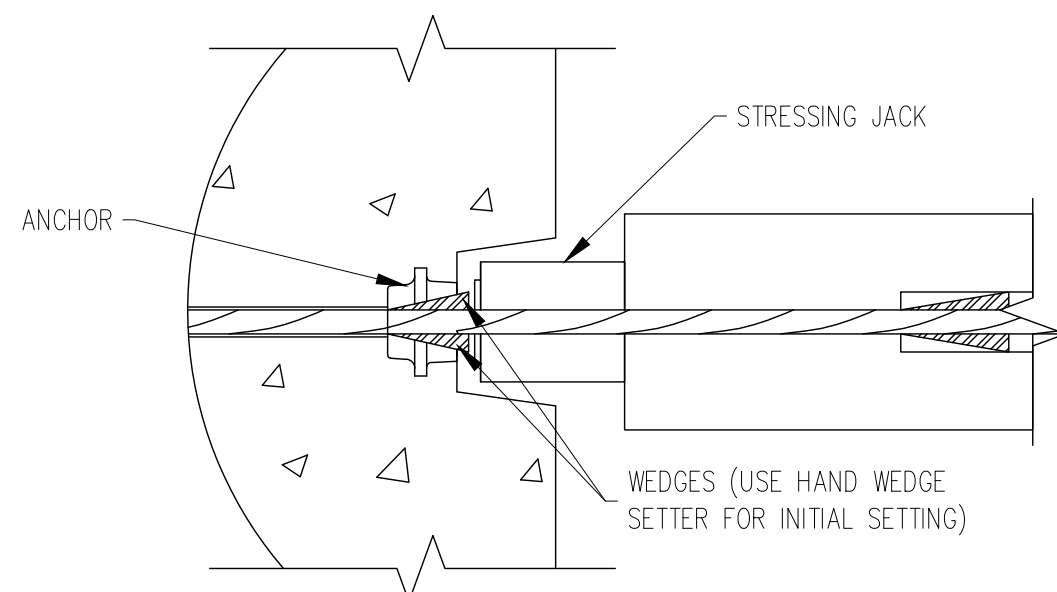
#### SAFETY INSTRUCTIONS:

NOTE: Stressing units are calibrated against load cells to determine the gauge pressures for a particular unit which will produce the desired engineering force. Gauge pressure versus actual load calibration should be checked every six months against a load cell. Never use equipment which has not been tested in the last 6 months. The Quality Control Department has the responsibility to insure the stressing unit is calibrated semi-annually. Refer to manufacturer for calibration charts specifically relating to the particular unit (stressing jack).

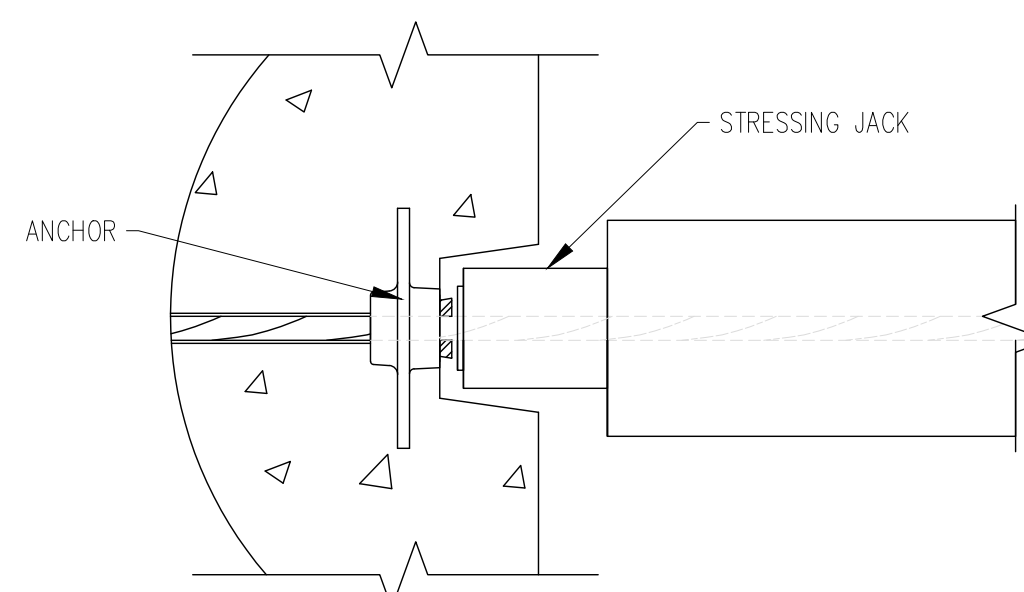
#### ROOF AND FLOOR POST-TENSIONING Stressing System Safety Instructions:

This equipment is designed and built to provide safety during equipment operation. It must be operated and maintained by personnel who are trained in and follow safe procedures. Since the forces involved in tendon stressing are in the order of 33 to 46 kips, it is obvious that failure from any cause could be damaging to personnel and property. Accordingly, stressing equipment operators are expected to observe all applicable safety precautions including the following but not limited to:

1. Before activating the pump, visually check all elastomeric tubing for nicks, cracks, or other damage and repair or replace if required.
2. See that all tubing joints are tightly connected.
3. Be sure that pump is supported in a stable manner and positioned to avoid strain on connection lines.
4. Be sure that protective dunnage and appropriate safety barriers are erected to protect the operator and any others in the area.
5. Observe the gauge pressure that will develop the required tensile force as marked on the tag attached to the pump. Locate this reading on gauge face.
6. Be certain that tensioning twin-rams are positively engaged and correctly aligned.
7. Activate pump and observe gauge. If pressure does not build up promptly, check system for leakage and make sure that anchors and wedges on both ends of the POLYSTRAND® tendons are properly engaged. After an initial tension on the strand (5K), stop and check for alignment. Make sure that the strand is at the top of the slot provided in the tension jack cylinder connector plates.
8. Continue pumping until final pressure/force is attained. When stressing long tendons, multiple strokes and resetting the temporary anchor will be required. -- CAUTION -- pressure will build extremely fast if rams are fully extended. Monitor ram extension and gauge readings continuously.
9. When the correct force has been applied to the tendon, stop the pump motor and release the pressure on the pack by opening the hydraulic valve.
10. Use care in moving and storing equipment to insure that gauge and tubing are not damaged.
11. Observe site rules pertaining to frequency of gauge calibration.



A



B

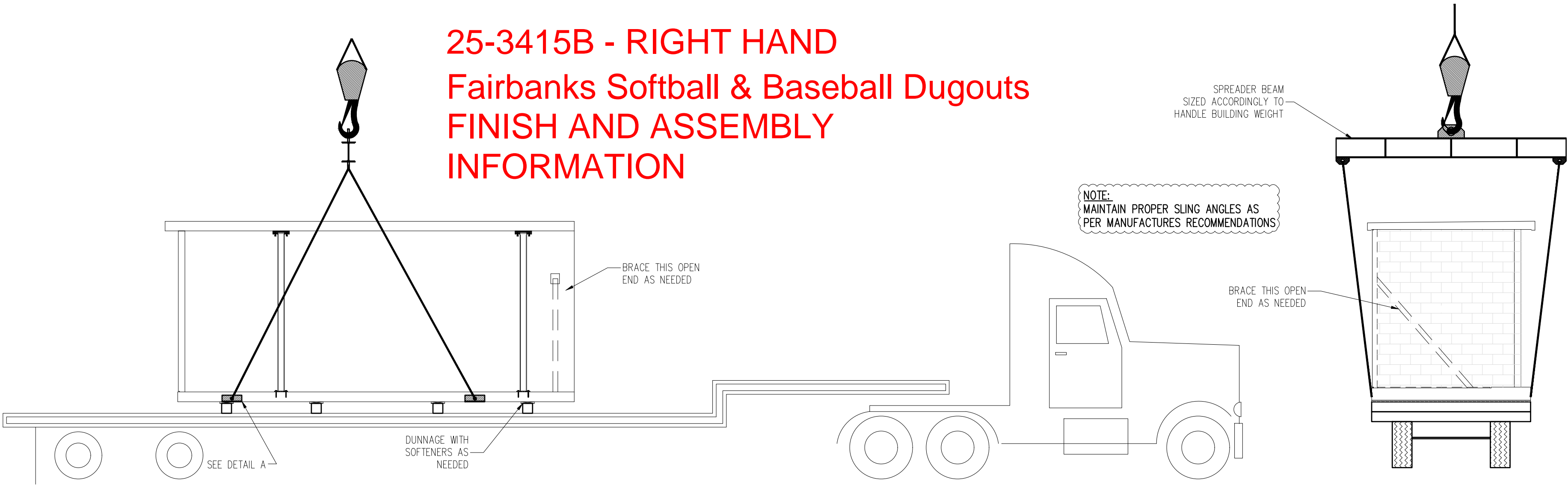
DATE	DESCRIPTION	INI.	REV.
-		-	1
-		-	2
-		-	3
-		-	4
-		-	5

PROJECT: 38'-0" X 8'-0" X 8'-0" EASI-SET  
 FAIRBANKS DUGOUTS  
 CONTRACTOR: INFRASTRUCTURE PRECAST

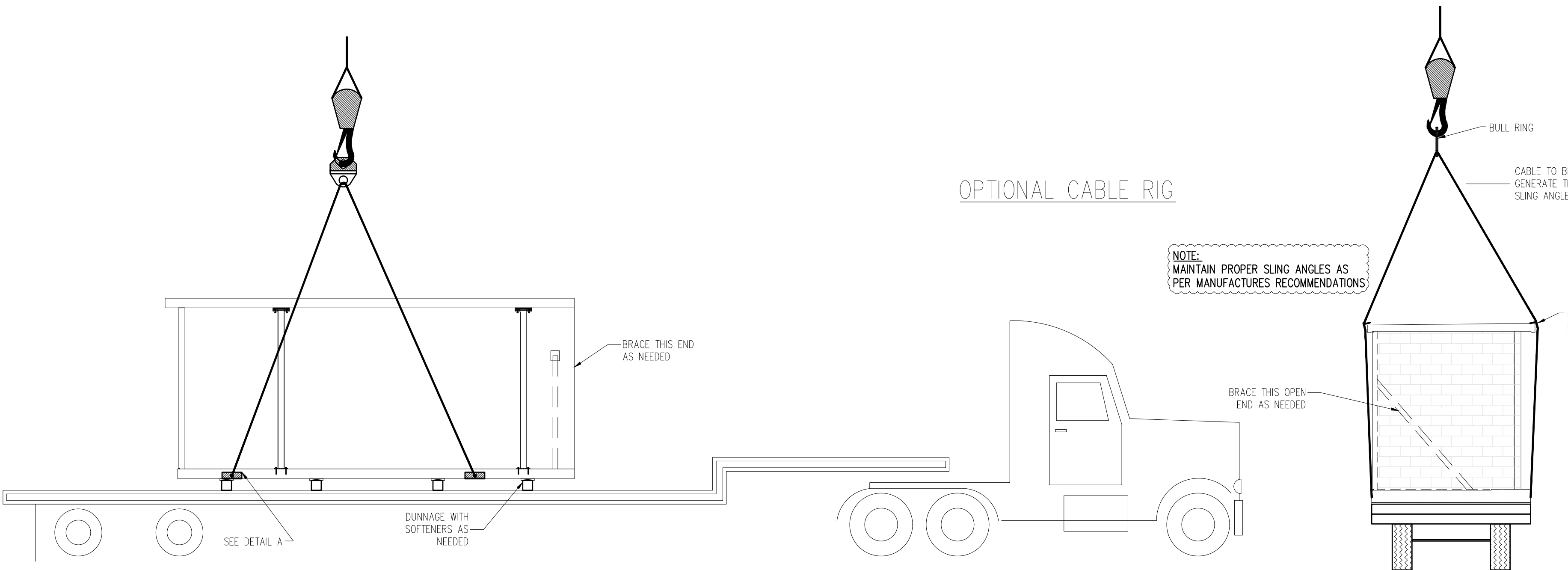
STRESSING PROCEDURES  
 SCALE: - -  
 DRAWN BY: JAD  
 CHECK BY: WCR  
 ISSUE DATE: 12.31.25  
 SHEET: P-02

**EASI-SET® WORLDWIDE**  
 5119 Callett Rd. • Midland, VA 22728 • info@EasiSet.com  
 www.EasiSet.com • 800-547-4045 • Fax 540-439-2541

# 25-3415B - RIGHT HAND Fairbanks Softball & Baseball Dugouts FINISH AND ASSEMBLY INFORMATION

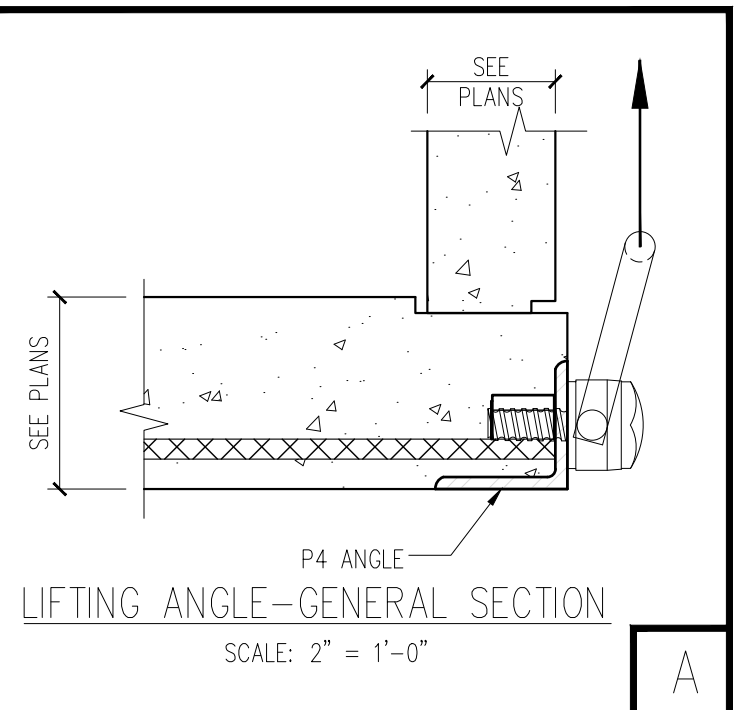


NOTE:  
MAINTAIN PROPER SLING ANGLES AS  
PER MANUFACTURES RECOMMENDATIONS



## OPTIONAL CABLE RIG

NOTE:  
MAINTAIN PROPER SLING ANGLES AS  
PER MANUFACTURES RECOMMENDATIONS



**NOTES:**  
1. THIS GUIDE IS FOR INFORMATIONAL PURPOSES ONLY AND IS NOT A SUBSTITUTE FOR CODE REQUIREMENTS AND ENGINEERING PRUDENCE.  
2. THIS GUIDE IS NOT TO BE MISCONSTRUED OR IMPLY ANY LIABILITIES OR WARRANTIES.  
3. MAINTAIN PROPER SLING ANGLES, RIGGING PRACTICES AND TECHNIQUES AS PER MANUFACTURERS RECOMMENDATIONS

SECTION 1	WEIGHT (LBS)
FLOOR PANEL (FP-01)	9,535
BACK WALL (WP-03)	6,070
SIDE WALL (WP-04)	2,615
ROOF PANEL (RP-01)	9,220
<b>TOTAL NET 30' DUGOUT SECTION</b>	<b>27,700</b>

SECTION 2	WEIGHT (LBS)
FLOOR PANEL (FP-02)	9,505
BACK WALL (WP-01)	6,065
SIDE WALL (WP-02)	3,620
SIDE WALL (WP-05)	1,685
SIDE WALL (WP-06)	2,445
ROOF PANEL (RP-02)	9,220
<b>TOTAL NET 30' DUGOUT SECTION</b>	<b>32,700</b>

**EASI-SET® WORLDWIDE**  
5119 Callett Rd. • Midland, VA 22728 • info@EasiSet.com  
www.EasiSet.com • 800-547-4045 • Fax 540-439-2541

DATE	DESCRIPTION	REV
-	-	1
-	-	2
-	-	3
-	-	4
-	-	5

PROJECT: 36'-0" X 8'-0" X 8'-0" EASI-SET  
FAIRBANKS DUGOUTS  
CONTRACTOR: INFRASTRUCTURE PRECAST

SHIPPING AND HANDLING GUIDE  
SCALE: --  
DRAWN BY: JAD  
CHECK BY: WCR  
ISSUE DATE: 12.31.25  
SHEET: P-03

DRAWING PACKAGE NUMBER: 380808C  
 38' x 8' x 8' EASI-SET DUGOUT W/STORAGE  
 SUBMITTAL DRAWINGS

PREPARED FOR:



**25-3415B - RIGHT HAND**  
**Fairbanks Softball & Baseball Dugouts**  
**FINISH AND ASSEMBLY**  
**INFORMATION**

CUSTOMER: LeVAN'S EXCAVATING, INC

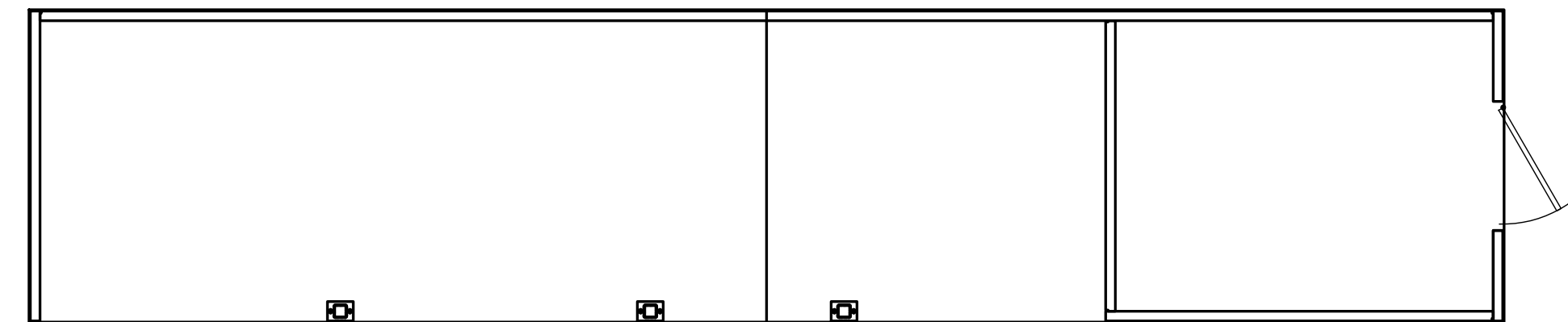
PROJECT: FAIRBANKS SOFTBALL & BASEBALL DUGOUTS,  
 MILFORD CENTER, OH

PRODUCER: INFRASTRUCTURE PRECAST

FOR CONSTRUCTION DRAWINGS

GENERAL NOTES:

1. DESIGN SPECIFICATIONS
  - IBC 2021
  - ASCE 7-16
  - ACI 318-19
  - PCI 8TH ED.
  - STEEL CONST. MANUAL 14TH ED.
2. LOADS
  - ROOF LIVE LOAD: 30 PSF
  - FLOOR LIVE LOAD: 250 PSF
  - WIND LOADING: 120 MPH
  - SEISMIC DESIGN: DESIGN CATEGORY B
3. MATERIALS
  - CONCRETE = 2,500 (RELEASE)  
 = 3,500 (POST-TENSION)  
 = 5,000 PSI (28 DAY)
  - REBAR: ASTM A615, GRADE 60
  - WELDED WIRE FABRIC: GRADE 65 ASTM A1064



ABBREVIATIONS:

- P.D. = PANEL DIMENSION  
 R.O. = ROUGH OPENING  
 TYP. = TYPICAL

DRAWING INDEX

DWG	SHEET TITLE	REVISION NO.	DATE
E-01	COVERSHEET		
E-02	PLAN VIEWS		
E-03	DUGOUT ELEVATIONS		
E-04	CONNECTION LAYOUT		
E-05	CONNECTION LAYOUT (ELEVATIONS)		
E-06	CONNECTION DETAILS		
E-07	SITE PREPARATION		

REV	INI.	DESCRIPTION	DATE
△	-	-	-
△	-	-	-
△	-	-	-
△	-	-	-

PROJECT: 38'x8'x8' EASI-SET DUGOUT  
 FAIRBANKS DUGOUTS  
 MILFORD CENTER, OH  
 CONTRACTOR: LeVAN'S EXCAVATING, INC.

COVERSHEET

JOB #  
-

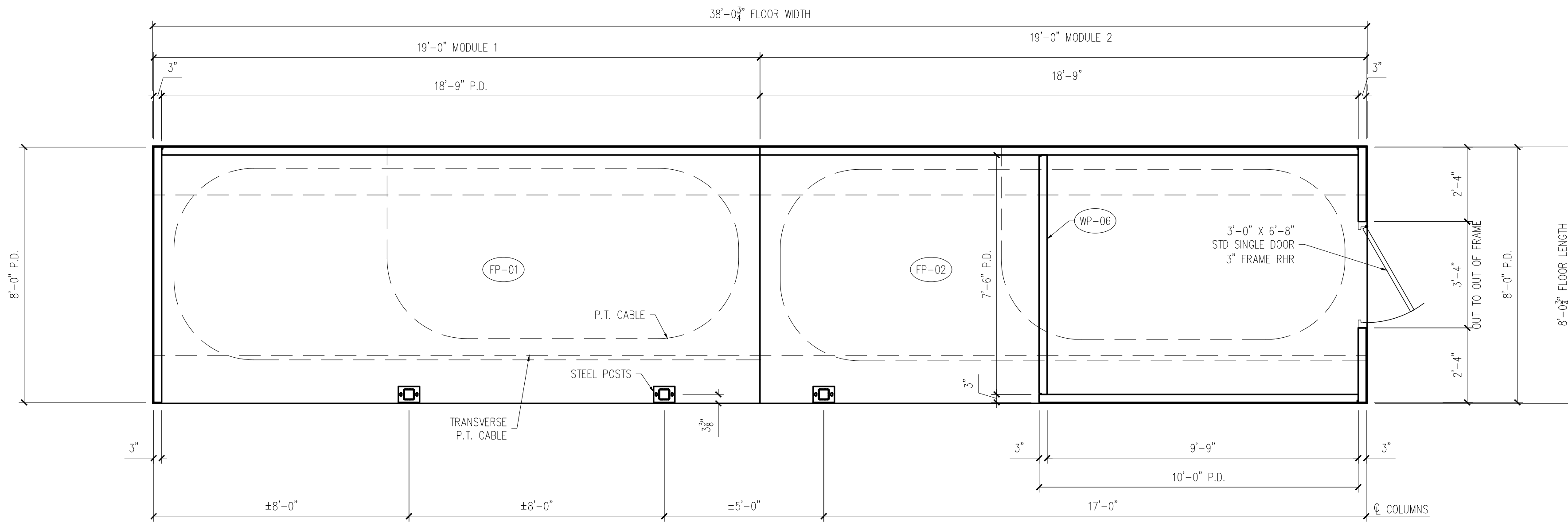
DRAWN BY  
BAD

CHECK BY  
WCR

ISSUE DATE  
10.25.25

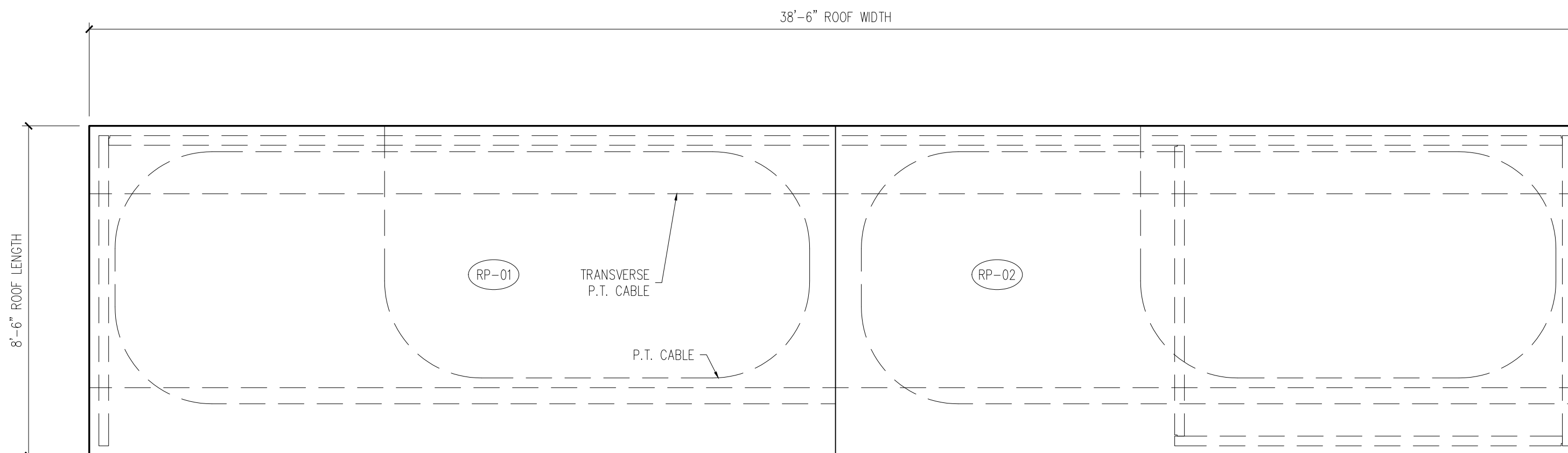
SHEET  
E-01

**EASI-SET WORLDWIDE**  
 5119 Catlett Rd. • Midland, VA 22728 • info@EasiSet.com  
 www.EasiSet.com • 800-547-4045 • Fax 540-439-2541



FLOOR PLAN

**25-3415B - RIGHT HAND**  
**Fairbanks Softball & Baseball Dugouts**  
**FINISH AND ASSEMBLY**  
**INFORMATION**



ROOF PLAN

- GENERAL NOTES:
1. ALL REQUIRED OPENINGS FOR ELECTRIC, MECHANICAL, LOUVERS, ETC. MUST BE SIZED AND LOCATED BY BUYER ON THIS DRAWING (OPENING SIZES AND LOCATIONS MAY HAVE TO BE ALTERED IF THEY INTERFERE WITH CONNECTIONS OR REINFORCING)
  2. ALL VIEWS ARE FROM EXTERIOR
  3. A SIGNED COPY MUST BE RETURNED BEFORE BUILDING CAN BE RELEASED FOR PRODUCTION

MESSAGE CENTER	
BUILDING FINISH	WALLS: SPLIT FACE BLOCK
	ROOF: BROOM FINISH
BUILDING STAIN	EXT: CEMENTED DEAL
	INT & TRIM: WHITE
BUILDING STAIN	ROOF CHARRED WALNUT
BUILDING WEIGHT	- LBS
CUSTOMER APPROVAL	
APPROVED BY:	DATE:

DATE	DESCRIPTION	INI.	REV.
-	-	-	△
-	-	-	△
-	-	-	△
-	-	-	△

PROJECT: 38'x8' EASI-SET DUGOUT  
 FAIRBANKS DUGOUTS  
 MILFORD CENTER, OH  
 CONTRACTOR: LeVAN'S EXCAVATING, INC.

PLAN VIEWS

JOB #

DRAWN BY  
BAD

CHECK BY  
WCR

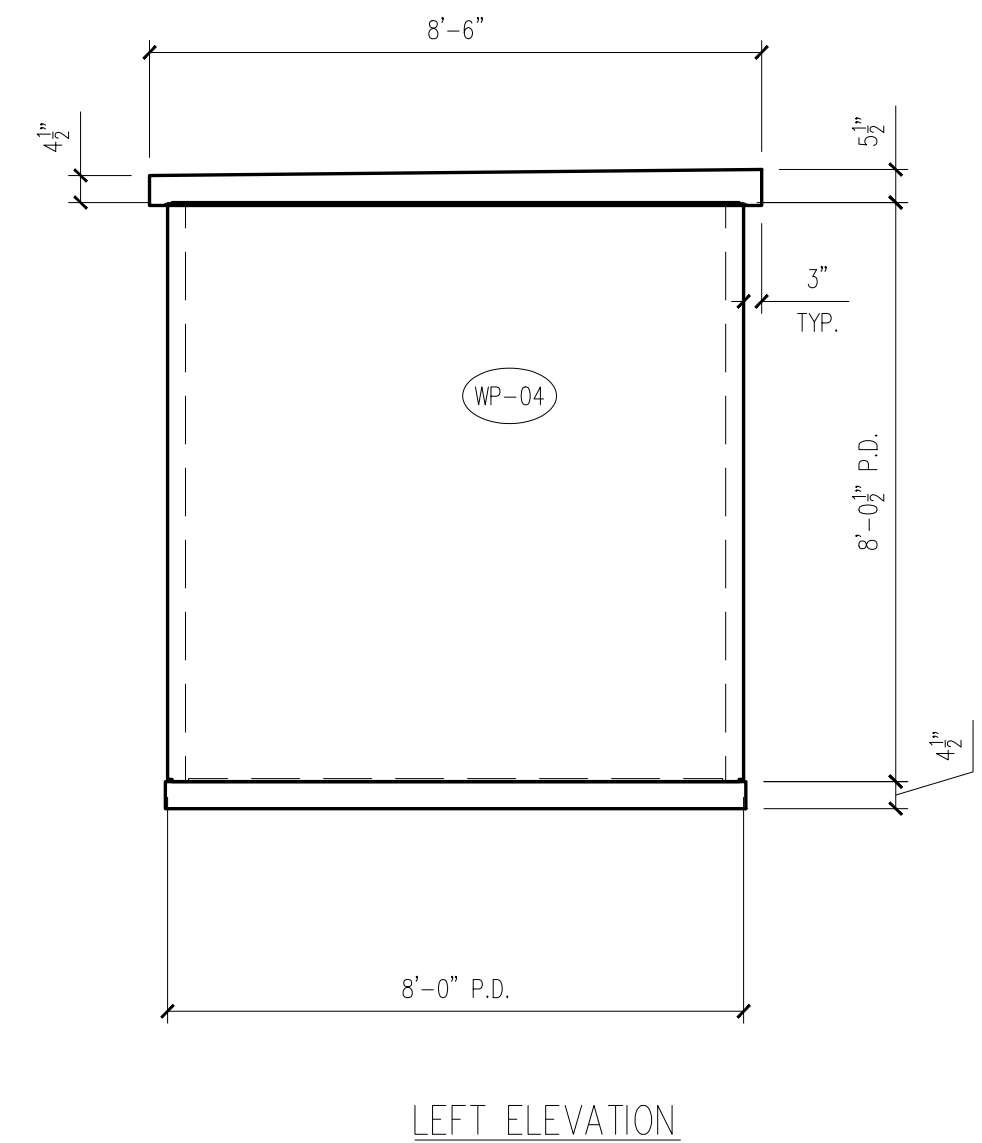
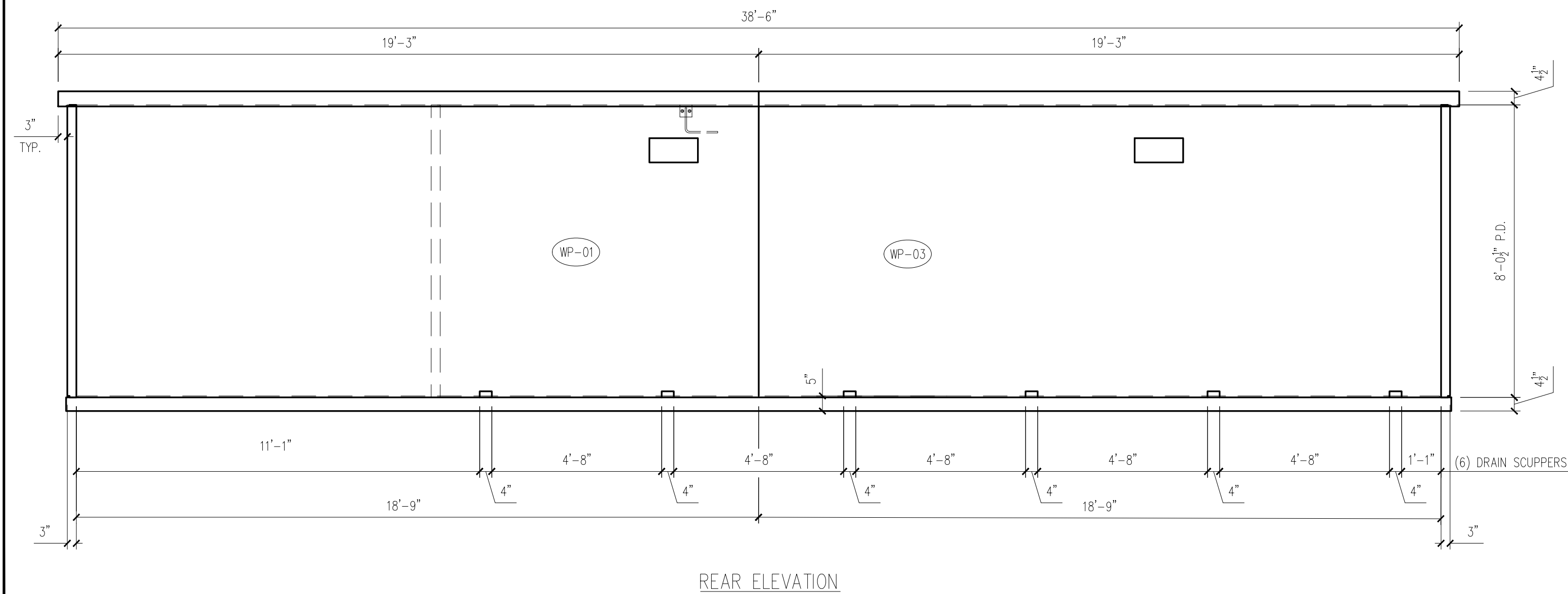
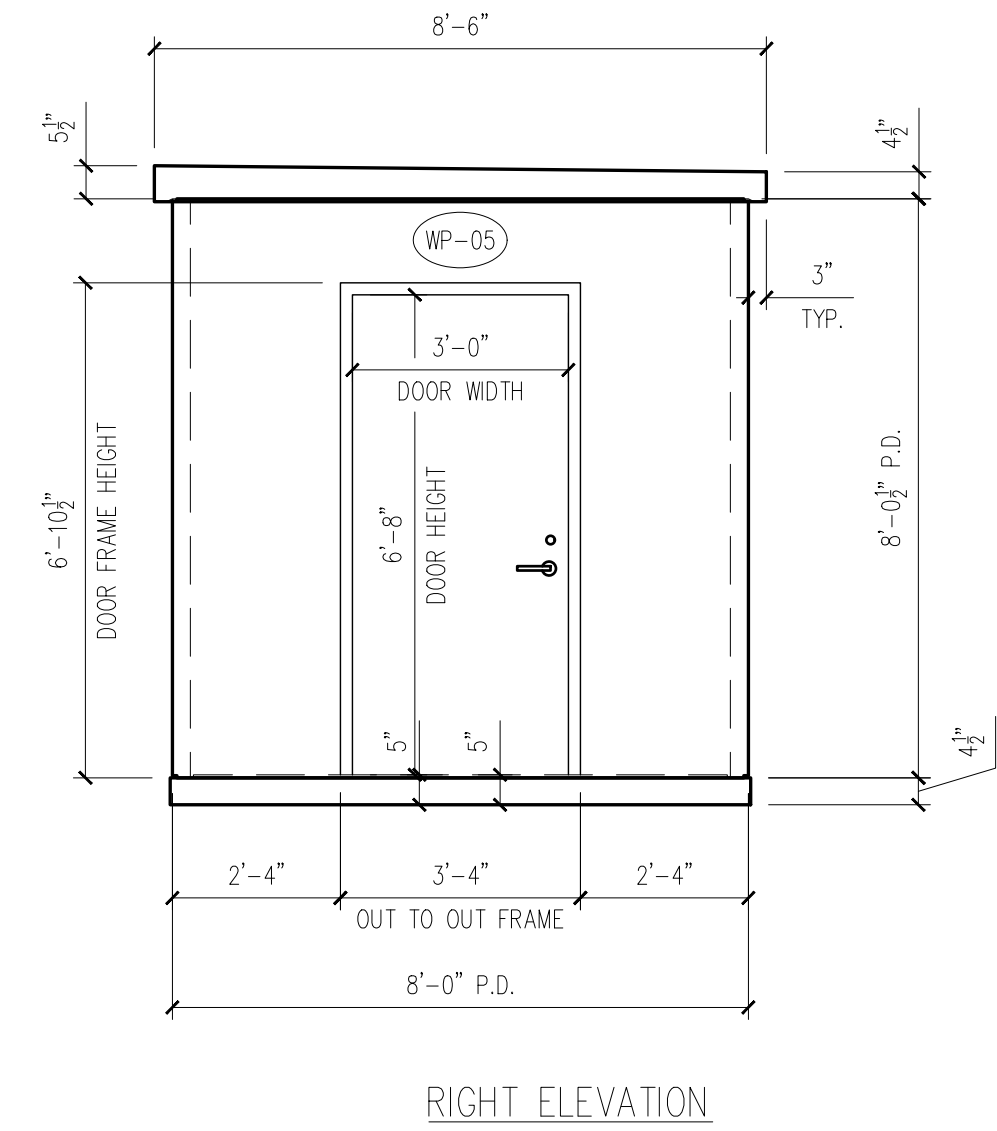
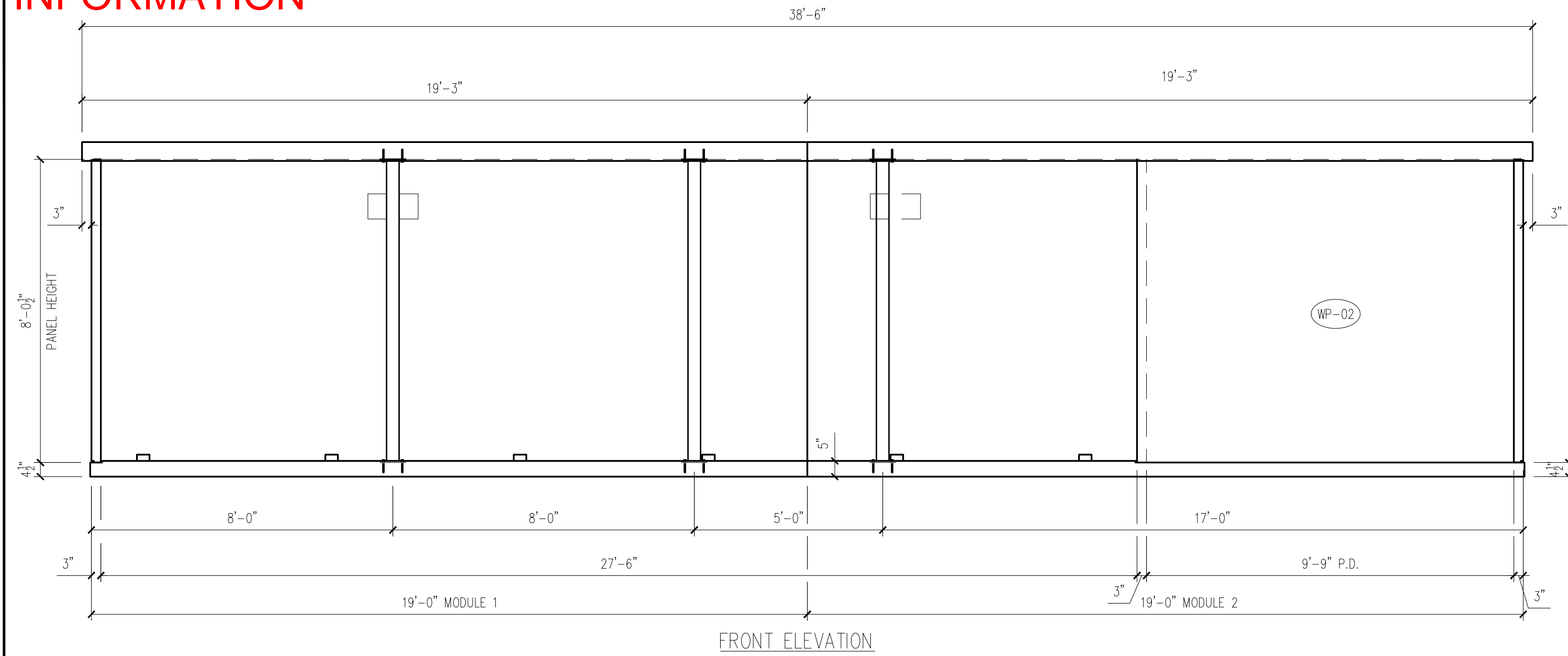
ISSUE DATE  
10.25.25

SHEET  
E-02

# 25-3415B - RIGHT HAND

## Fairbanks Softball & Baseball Dugouts

### FINISH AND ASSEMBLY INFORMATION



DATE	DESCRIPTION	INI.	REV.
-	-	-	△
-	-	-	△
-	-	-	△
-	-	-	△

PROJECT: 38'x8' EASI-SET DUGOUT  
 FAIRBANKS DUGOUTS  
 MILFORD CENTER, OH  
 CONTRACTOR: LEVAN'S EXCAVATING, INC.

DUGOUT ELEVATIONS

JOB #

DRAWN BY  
BAD

CHECK BY  
WCR

ISSUE DATE  
10.25.25

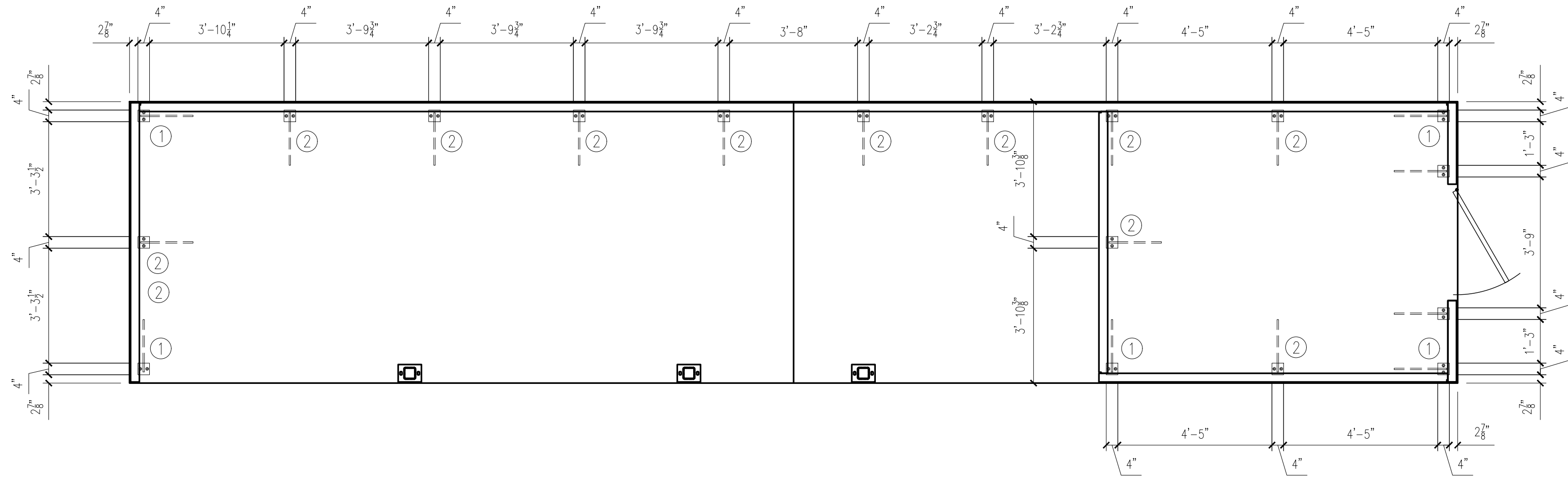
SHEET  
E-03

**EASI-SET® WORLDWIDE**  
 5119 Catlett Rd. • Midland, VA 22728 • info@EasiSet.com  
 WWW.EasiSet.com • 800-547-4045 • Fax 540-439-2541

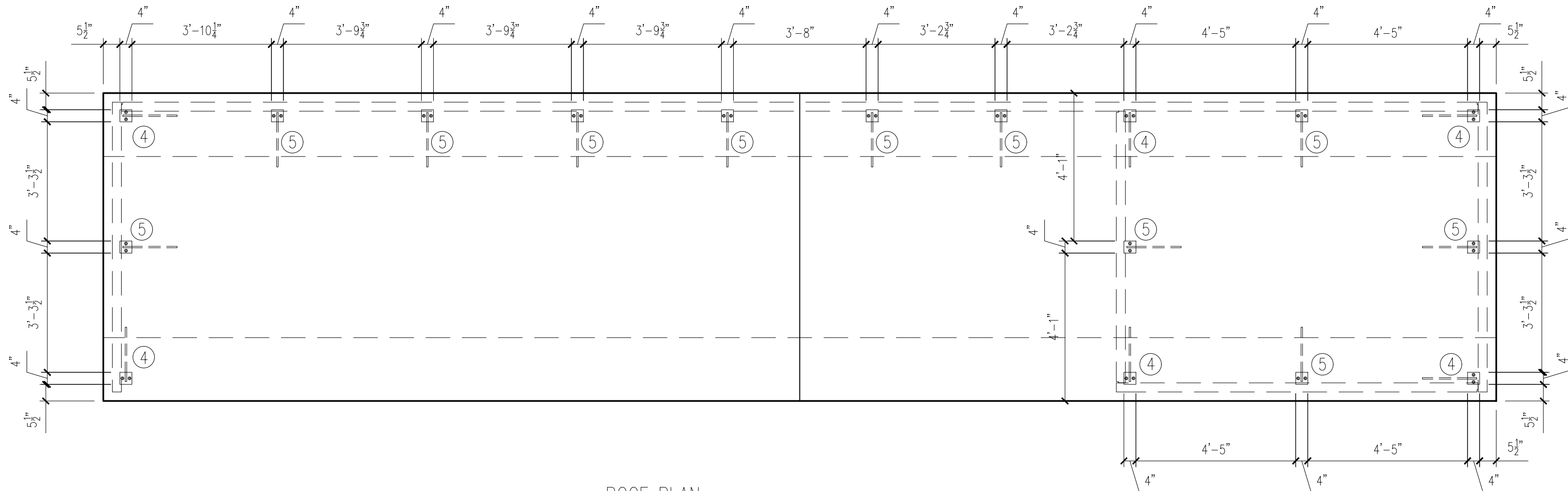
# 25-3415B - RIGHT HAND

## Fairbanks Softball & Baseball Dugouts

### FINISH AND ASSEMBLY INFORMATION



FLOOR PLAN



ROOF PLAN

DATE	DESCRIPTION	INI.	REV.
-	-	-	△
-	-	-	△
-	-	-	△
-	-	-	△

PROJECT: 38'x8'x8' EASI-SET DUGOUT  
 FAIRBANKS DUGOUTS  
 MILFORD CENTER, OH  
 CONTRACTOR: LEVAN'S EXCAVATING, INC.

CONNECTION LAYOUT

JOB #

DRAWN BY  
BAD

CHECK BY  
WCR

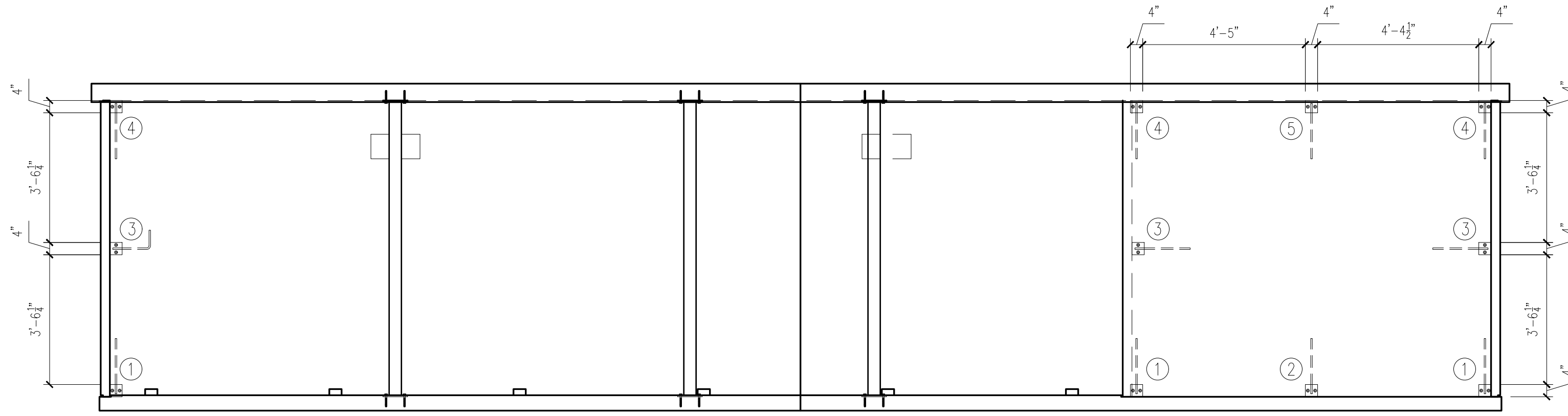
ISSUE DATE  
10.25.25

SHEET  
E-04

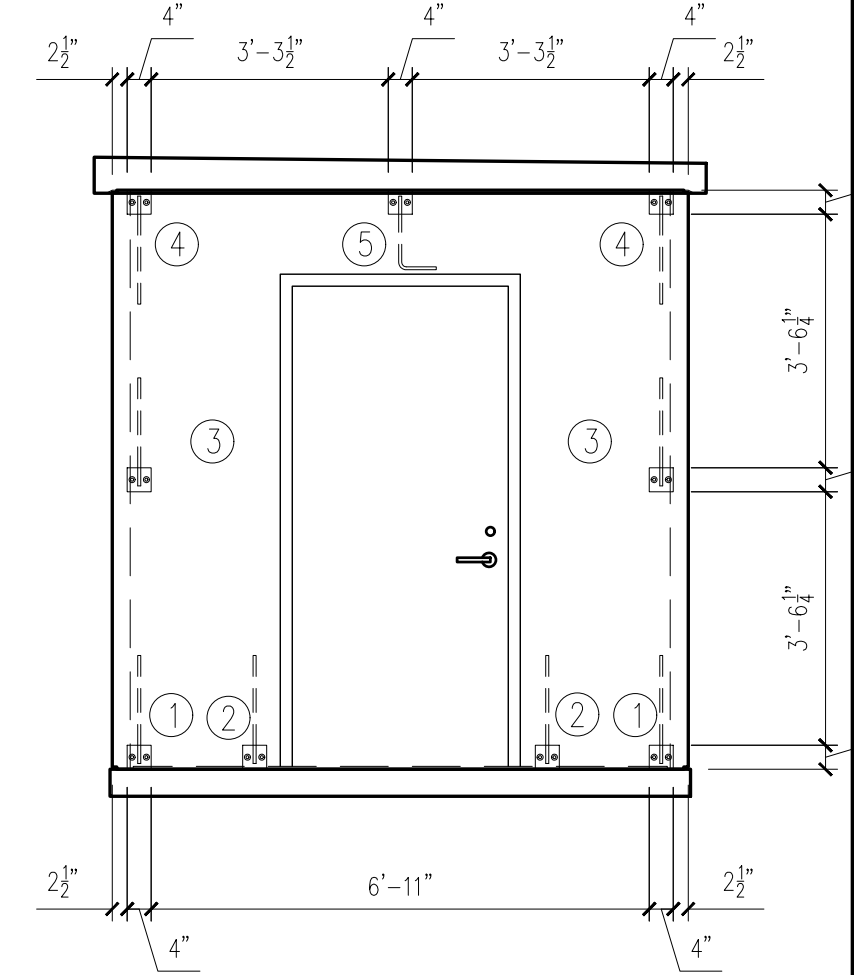
**EASI-SET® WORLDWIDE**  
 5119 Catlett Rd. • Midland, VA 22728 • info@EasiSet.com  
 www.EasiSet.com • 800-547-4045 • Fax 540-439-2541

# 25-3415B - RIGHT HAND

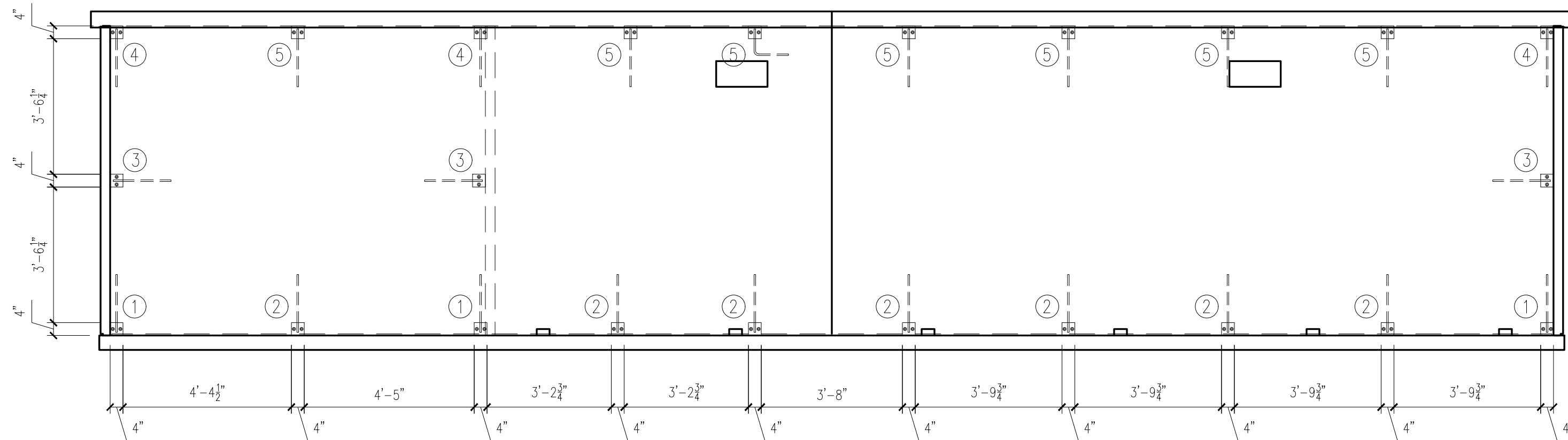
## Fairbanks Softball & Baseball Dugouts FINISH AND ASSEMBLY INFORMATION



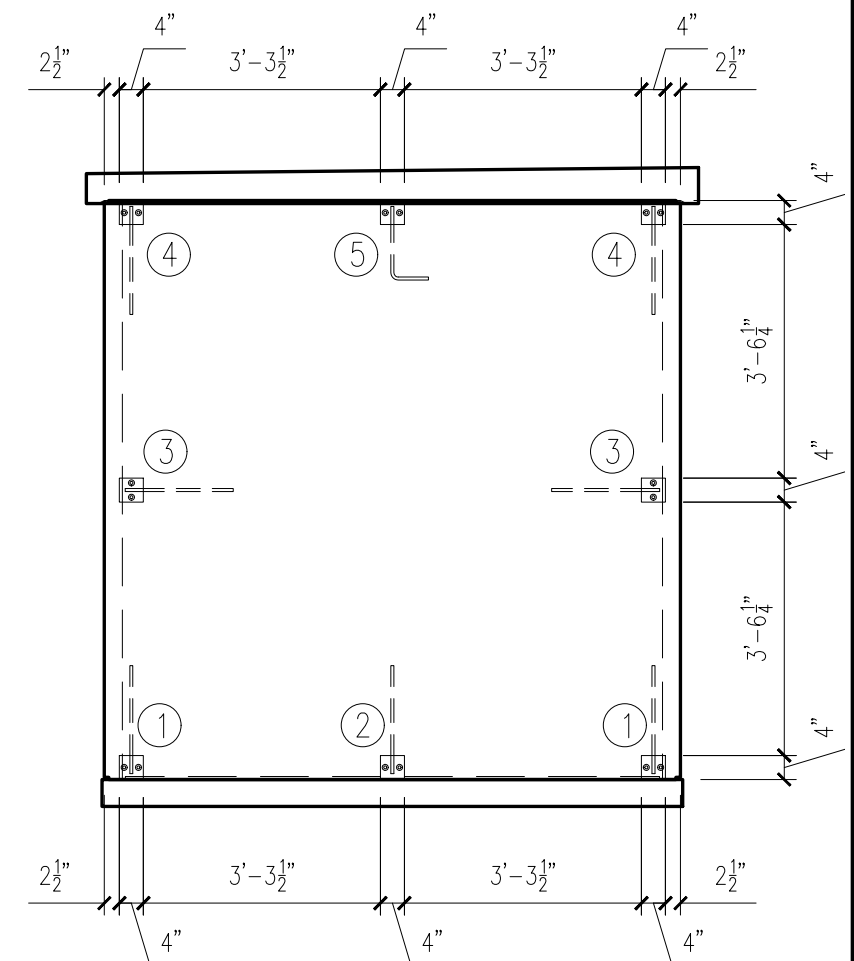
FRONT ELEVATION



RIGHT ELEVATION



REAR ELEVATION



LEFT ELEVATION

DATE	DESCRIPTION	INI.	REV.
-	-	-	△
-	-	-	△
-	-	-	△
-	-	-	△

PROJECT: 38'x8'x8' EASI-SET DUGOUT  
FAIRBANKS DUGOUTS  
MILFORD CENTER, OH  
CONTRACTOR: LeVAN'S EXCAVATING, INC.

CONNECTION  
LAYOUT  
ELEVATIONS

JOB #

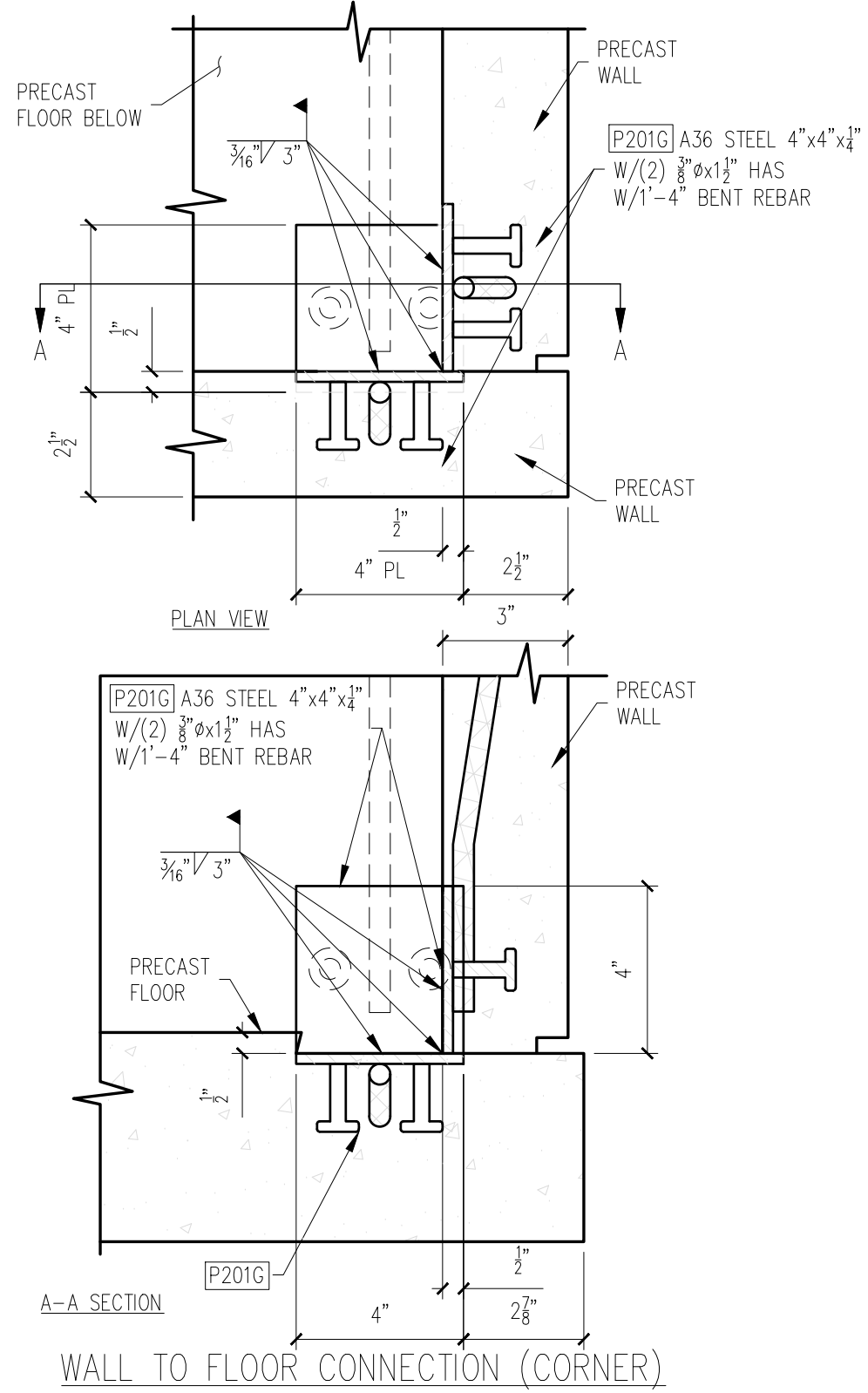
DRAWN BY  
BAD

CHECK BY  
WCR

ISSUE DATE  
10.25.25

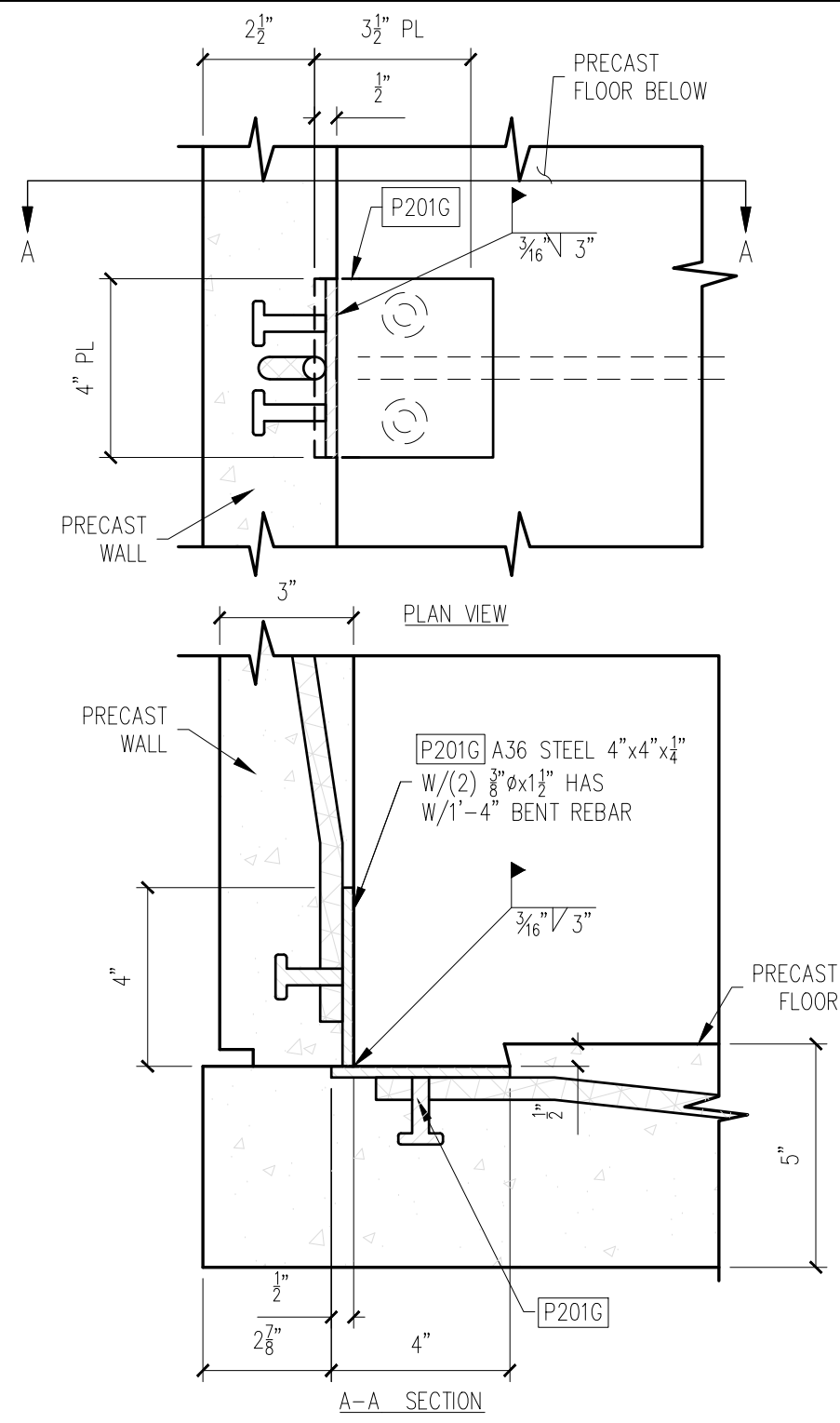
SHEET  
E-05

**EASI-SET® WORLDWIDE**  
5119 Catlett Rd. • Midland, VA 22728 • info@EasiSet.com  
www.EasiSet.com • 800-547-4045 • Fax 540-439-2541



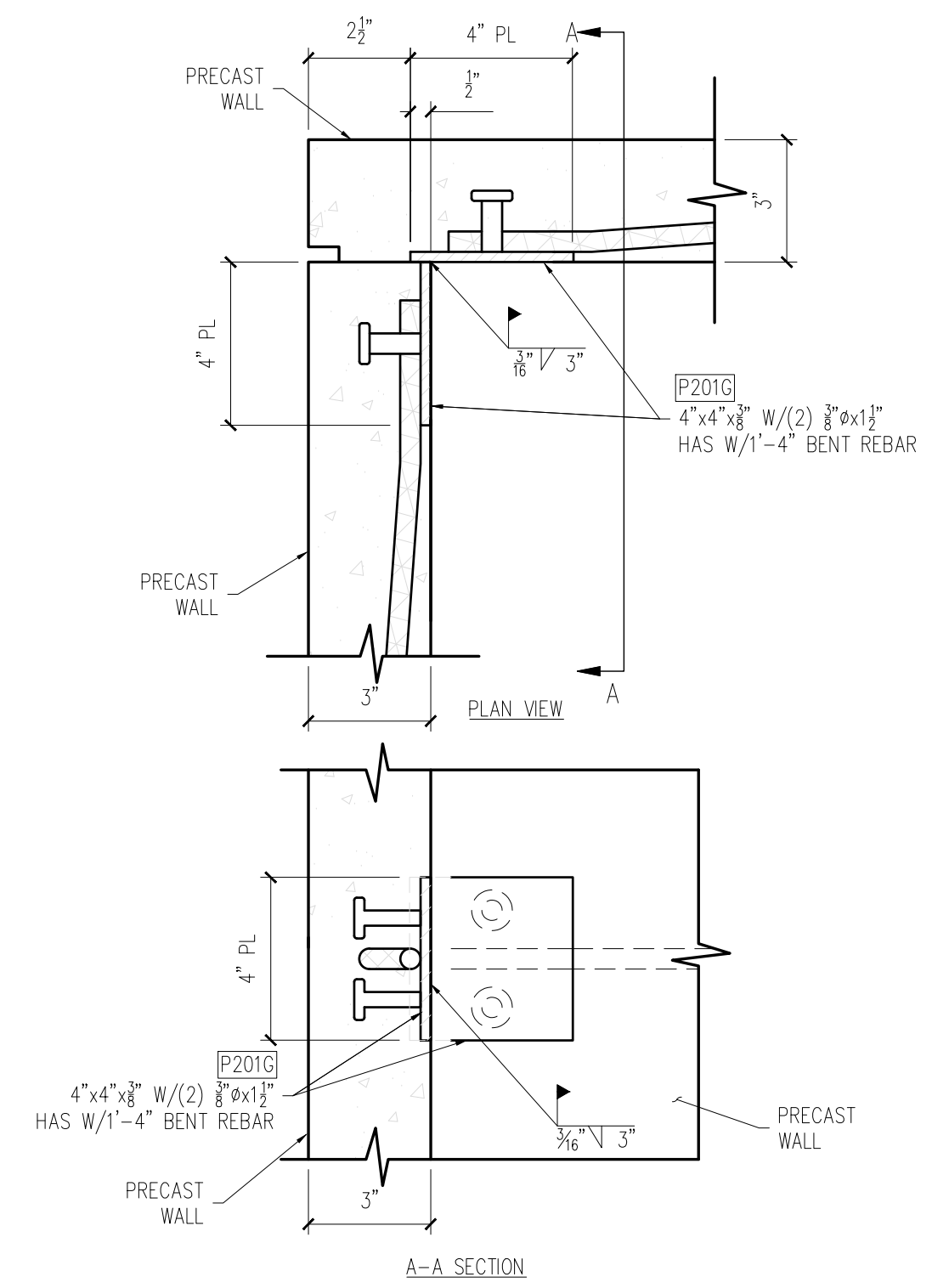
WALL TO FLOOR CONNECTION (CORNER)

1



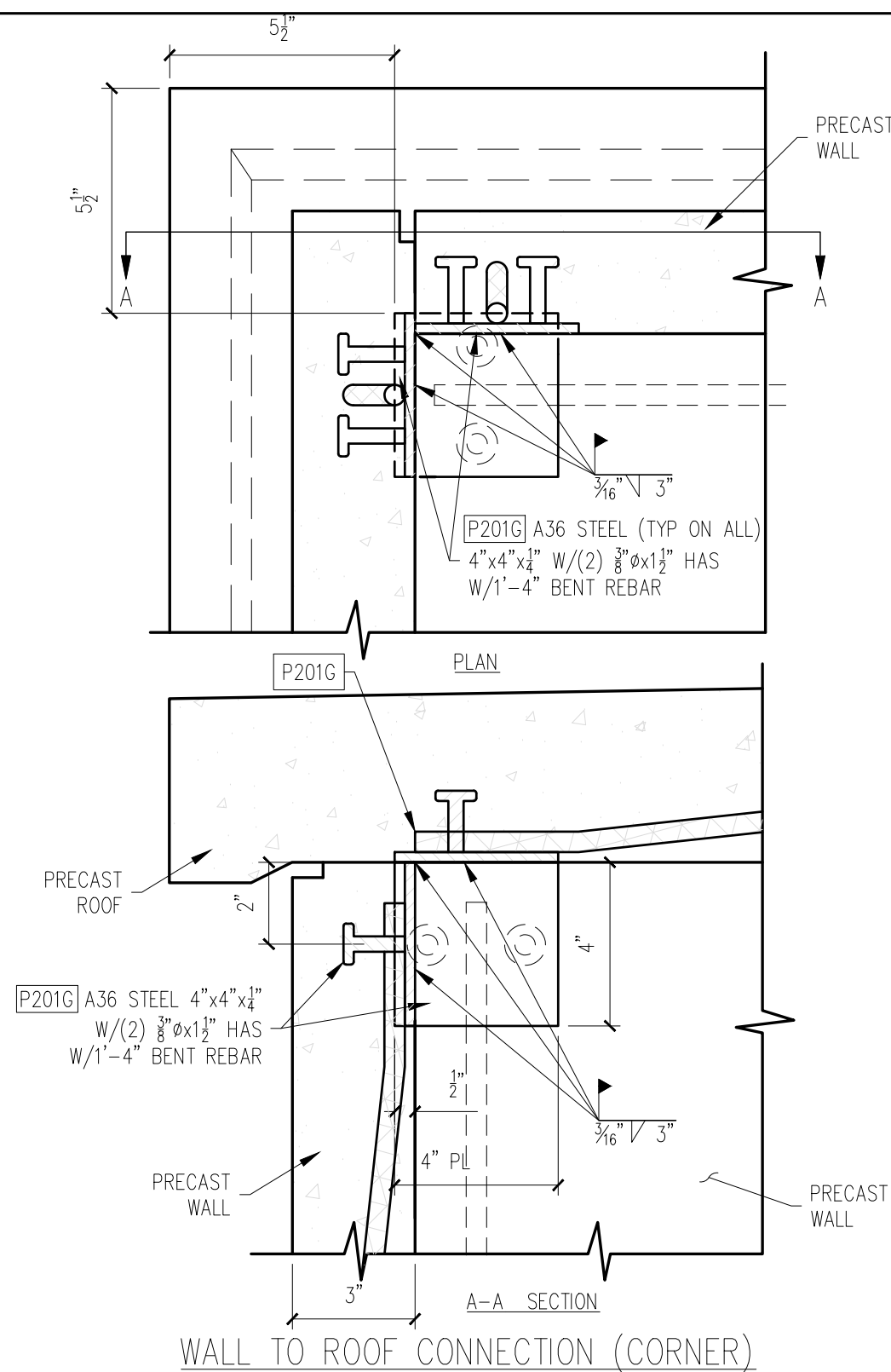
WALL TO FLOOR CONNECTION (MID-SPAN)

2



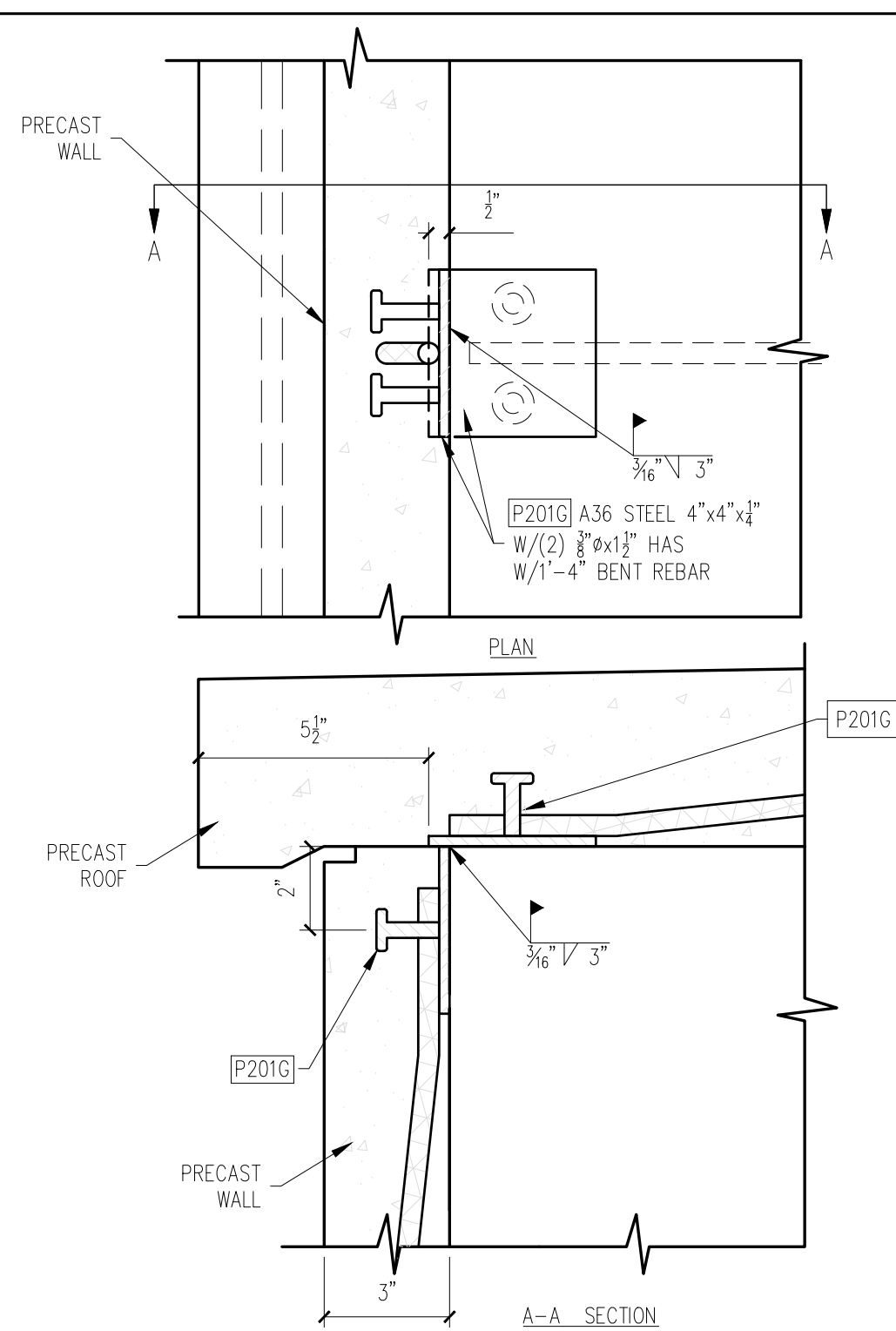
WALL TO WALL CONNECTION

3



WALL TO ROOF CONNECTION (CORNER)

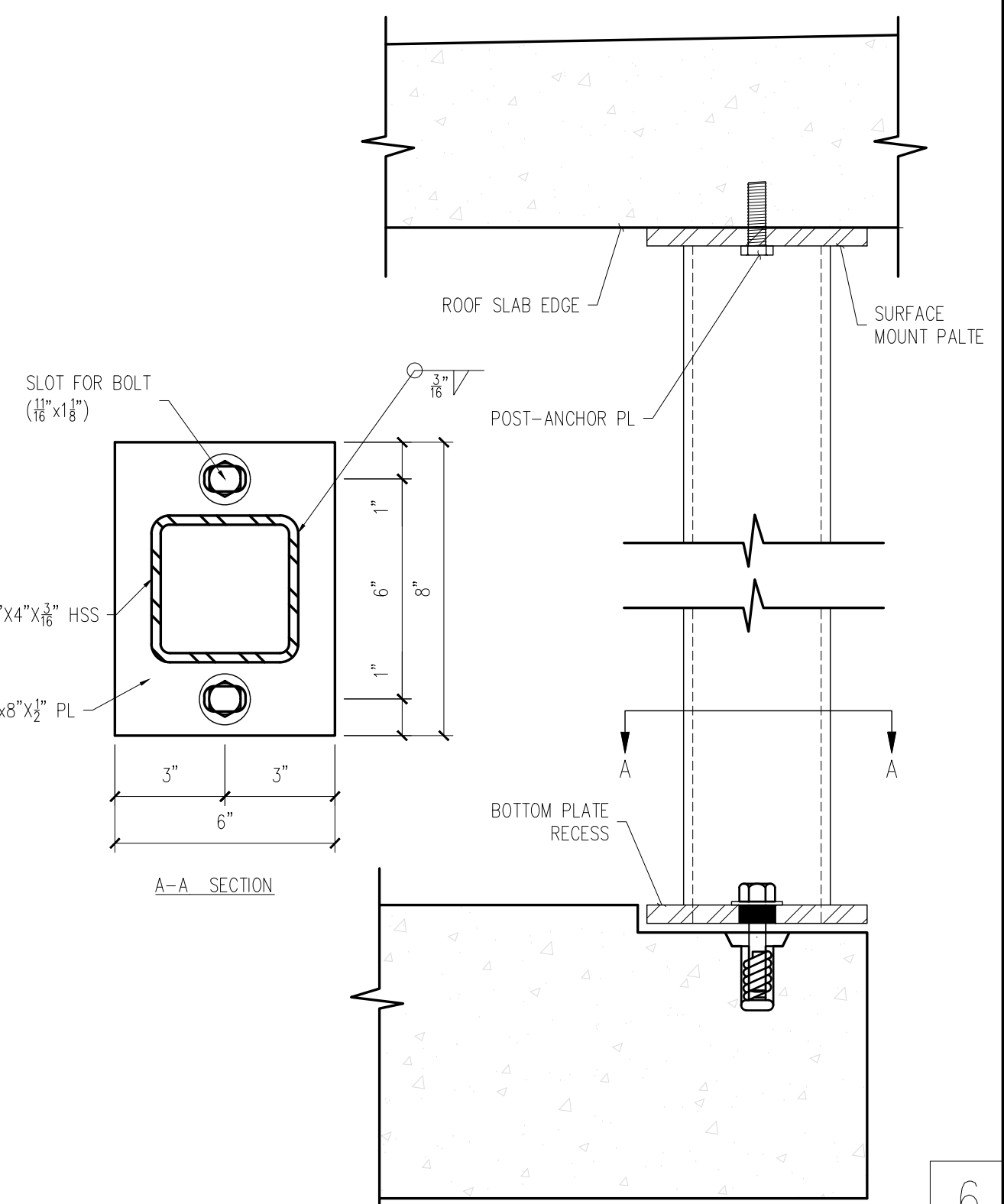
4



WALL TO ROOF CONNECTION (MID-SPAN)

5

**25-3415B - RIGHT HAND**  
**Fairbanks Softball & Baseball Dugouts**  
**FINISH AND ASSEMBLY INFORMATION**



6

REV	DESCRIPTION	DATE
1		
2		
3		
4		
5		

PROJECT: 38'x8'x8' EASI-SET DUGOUT  
 FAIRBANKS DUGOUTS  
 MILFORD CENTER, OH  
 CONTRACTOR: LeVAN'S EXCAVATING, INC.

CONNECTION  
 DETAILS

JOB #  
 DRAWN BY  
 BAD  
 CHECK BY  
 WCR  
 ISSUE DATE  
 10.25.25  
 SHEET  
 E-06

# 25-3415B - RIGHT HAND

## Fairbanks Softball & Baseball Dugouts

### FINISH AND ASSEMBLY INFORMATION

#### RECOMMENDED FOUNDATION REQUIREMENTS FOR EASI-SET TRANSPORTABLE PRECAST CONCRETE BUILDINGS

##### BUILDING DESIGN

EASI-SET TRANSPORTABLE PRECAST CONCRETE BUILDINGS HAVE BEEN DESIGNED TO ELIMINATE THE NEED FOR FOUNDATIONS OR FOOTINGS FOR VIRTUALLY ALL INSTALLATIONS. THE BUILT-IN FLOOR OF THE EASI-SET BUILDINGS IS DESIGNED FOR USE ON FLOATING FOUNDATIONS COMPRISED OF 4"-6" OF CRUSHED STONE OR SAND. THIS DESIGN, AND THE USE OF APPROPRIATE FLOATING FOUNDATIONS OF STONE OR SAND, HAVE PROVEN TO BE EFFECTIVE AND PROBLEM FREE IN THE FIELD FOR A WIDE VARIETY OF INSTALLATIONS. THE EFFECTIVENESS OF THE DESIGN HAS NOT BEEN ADVERSELY AFFECTED BY THE SIZE OF THE EASI-SET BUILDING.

##### CAVEATS

THE FLOATING FOUNDATION OF CRUSHED STONE OR SAND SHOULD BE PLACED ON A WELL-DRAINED AND GRADED AREA, TO PRECLUDE THE RETENTION OF STANDING WATER. ON A WELL-DRAINED AND PROPERLY GRADED SITE, ANY GROUND SWELL SHOULD BE MINIMAL AND LINEAR, WITH NO DAMAGE TO THE EASI-SET BUILDING OR ITS CONTENTS.

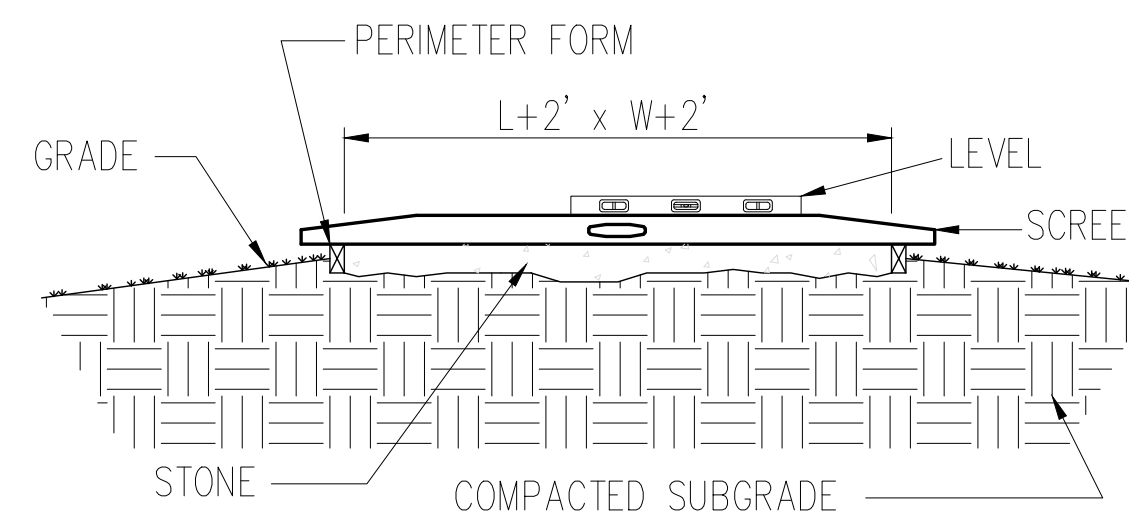
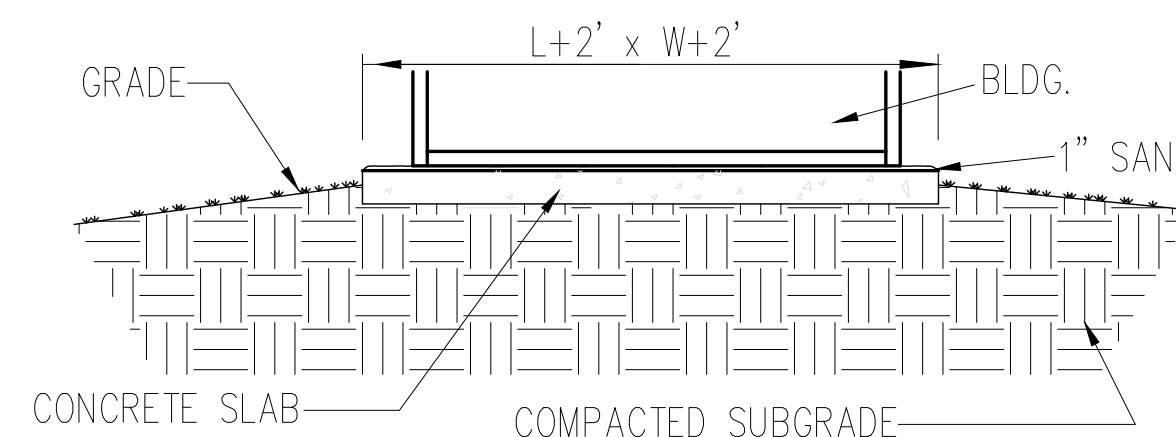
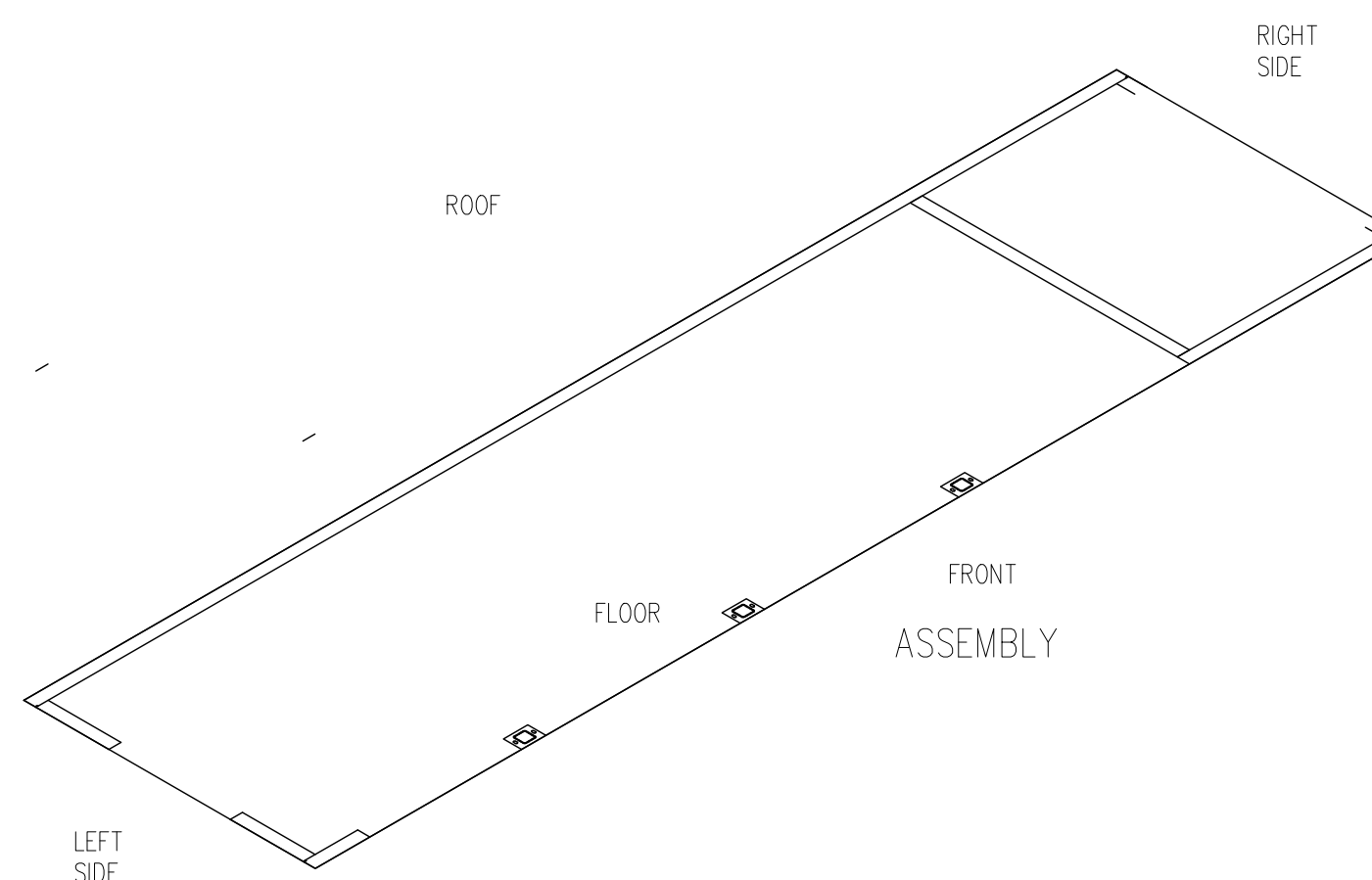
IT IS IMPORTANT TO NOTE THAT THE DESIGN OF AN EASI-SET BUILDING ENABLES THE TRANSPORTATION OF THE BUILDING, WHICH MAXIMIZES THE FLEXIBILITY AND LONG-TERM USEFULNESS OF THE STRUCTURE. FURTHERMORE, THE ELIMINATION OF FOUNDATIONS AND FOOTINGS MINIMIZES THE IMPACT ON, AND DAMAGE TO, THE ENVIRONMENT OF THE BUILDING SITE. THE USE OF STANDARD FOUNDATIONS OR FOOTINGS WOULD COUNTER SOME OF THE SIGNIFICANT BENEFITS, WHICH CAN BE ACHIEVED BY INSTALLING EASI-SET BUILDINGS. IN THOSE AREAS WHERE LOCAL BUILDING CODES MAY NOT ACCOMMODATE THE USE OF A FLOATING FOUNDATION FOR AN EASI-SET BUILDING, A VARIANCE TO SUCH CODES MAY BE AVAILABLE.

##### SITE PREPARATION REQUIREMENTS (MANUFACTURER'S RECOMMENDATION)

- A. EASI-SET BUILDING SHALL BEAR FULLY ON A CRUSHED STONE BASE THAT IS AT LEAST TWO FEET LARGER THAN THE LENGTH AND WIDTH OF BUILDING.
- B. STONE SHALL BE A MINIMUM OF 4" THICK DOWN TO FIRM SUBGRADE. THE VERTICAL SOIL CAPACITY UNDER STONE SHALL BE COMPACTED TO HAVE MINIMUM BEARING OF 1,500 POUNDS PER SQUARE FOOT. STONE SHALL BE 3/8" OR SMALLER AND MUST BE SCREEDED LEVEL WITHIN 1/4" IN BOTH DIRECTIONS. STONE SHALL BE PLACED WITHIN A PERIMETER FORM WITH FLAT AND LEVEL TOP EDGE FOR SCREEDING. FORMING MATERIAL SHALL REMAIN AROUND STONE UNTIL AFTER THE BUILDING IS SET.
- C. THE CRUSHED STONE BASE SHALL BE KEPT WITHIN THE CONFINES OF THE SOIL OR PERIMETER FORM. DO NOT ALLOW THE BASE TO BECOME UNCONFINED SO THAT IT MAY WASH, ERODE, OR OTHERWISE BE UNDERMINED.  
OR  
IF BUILDING IS PLACED ON PAVEMENT OR A CONCRETE SLAB, SUBSTRATE BELOW PAVEMENT OR SLAB MUST HAVE A VERTICAL SOIL CAPACITY OF 1,500 POUNDS PER SQUARE FOOT. PLACE STONE OR SAND TO 1" ABOVE HIGHEST POINT OF AREA WHERE BUILDING WILL BE PLACED AND AT LEAST 1'-0" WIDE ALL AROUND THE BUILDING FOOTPRINT. RETAIN STONE OR SAND WITH A PERIMETER FORM TO PREVENT THE MATERIAL FROM WASHING OUT.
- D. PROVIDE POSITIVE DRAINAGE FOR THE FILL, PAD, OR SLAB AS REQUIRED.

##### ACCESS

- A. CONTRACTOR MUST PROVIDE LEVEL UNOBSTRUCTED AREA LARGE ENOUGH FOR A CRANE AND A TRACTOR-TRAILER TO PARK ADJACENT TO THE PAD. CRANE MUST BE ABLE TO PLACE OUTRIGGERS WITHIN 5'-0" OF EDGE OF PAD AND TRUCK AND CRANE MUST BE ABLE TO GET SIDE BY SIDE UNDER THEIR OWN POWER. NO OVERHEAD LINES MAY BE WITHIN 75' RADIUS OF CENTER OF PAD. A MINIMUM OF 24" CLEARANCE IS REQUIRED BETWEEN THIS BUILDING AND ADJACENT BUILDINGS.



SITE PREPARATION  
SCALE: N.T.S.

MESSAGE CENTER	
CUSTOMER APPROVAL	
APPROVED BY:	DATE:

5119 Cattlett Rd. • Midland, VA 22728 • info@EasiSet.com  
www.EasiSet.com • 800-547-4045 • Fax 540-439-2541

REV	INI.	DESCRIPTION	DATE

PROJECT: 38'x8' EASI-SET DUGOUT  
FAIRBANKS DUGOUTS  
MILFORD CENTER, OH  
CONTRACTOR: LeVAN'S EXCAVATING, INC.

SITE PREPARATION
JOB #
DRAWN BY BAD
CHECK BY WCR
ISSUE DATE 10.25.25
SHEET E-07