

**Structure ID: JB-A4**

**P1 BX2424-06BA30**

**BOX BASE 6inW, 6inF F/n**

- P2) 24" x 24" - CASTING HEIGHT - 4"
- P1) 24" x 24" - BOX BASE 6inW, 6inF F/n - 30"
- 1) CASTING - HOE 280-C Frame/Solid Cover
- 1) 24" x 24" - Conseal CS-102 1.00"
- 2) Hole - 18

0 lb  
 2201 lb  
 257 lb  
 0 lb  
 0 lb  
 -----  
 Structure Total: 2458 lb

**Structure Notes:**  
 1. PER ASTM C913 SPECIFICATIONS.  
 2. CONCRETE = 4,000 PSI AT 28 DAYS.  
 3. NO STEPS AND NO INVERT CHANNEL.  
 4. CASTING BY I-CAST(HOE 280-C FRAME/SOLID COVER).

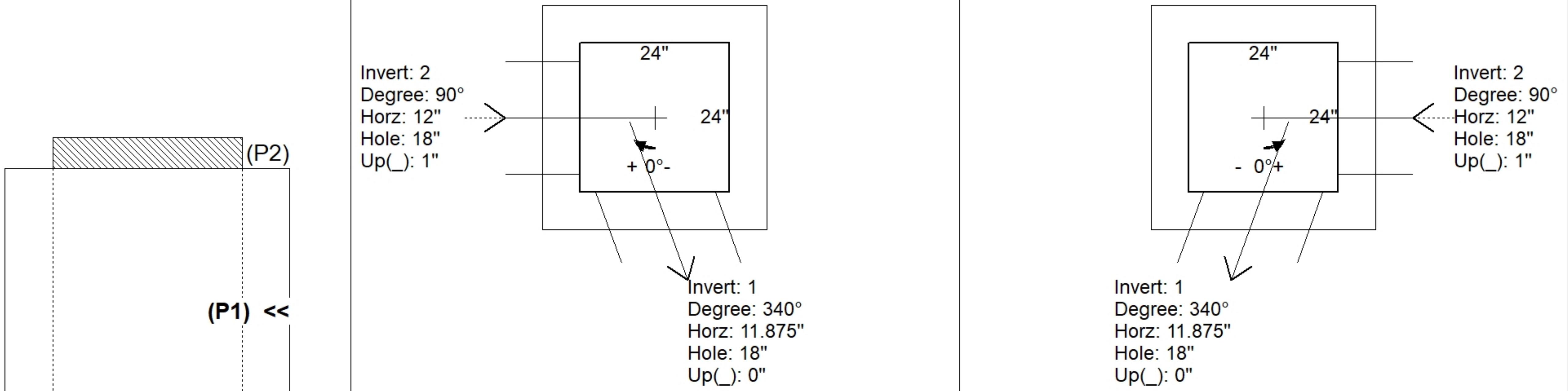
REINFORCING PER ASTM A615 (GRADE 60).  
 - WALLS (As .12) #5 BARS AT 12" C.C.E.W.  
 - FLOOR (As .12) #5 BARS AT 12" C.C.E.W.

Rim: 505.6'    Rim to Invert: 2.76'    Slack: 0.37"    Sump: 1.25"    Step Position:

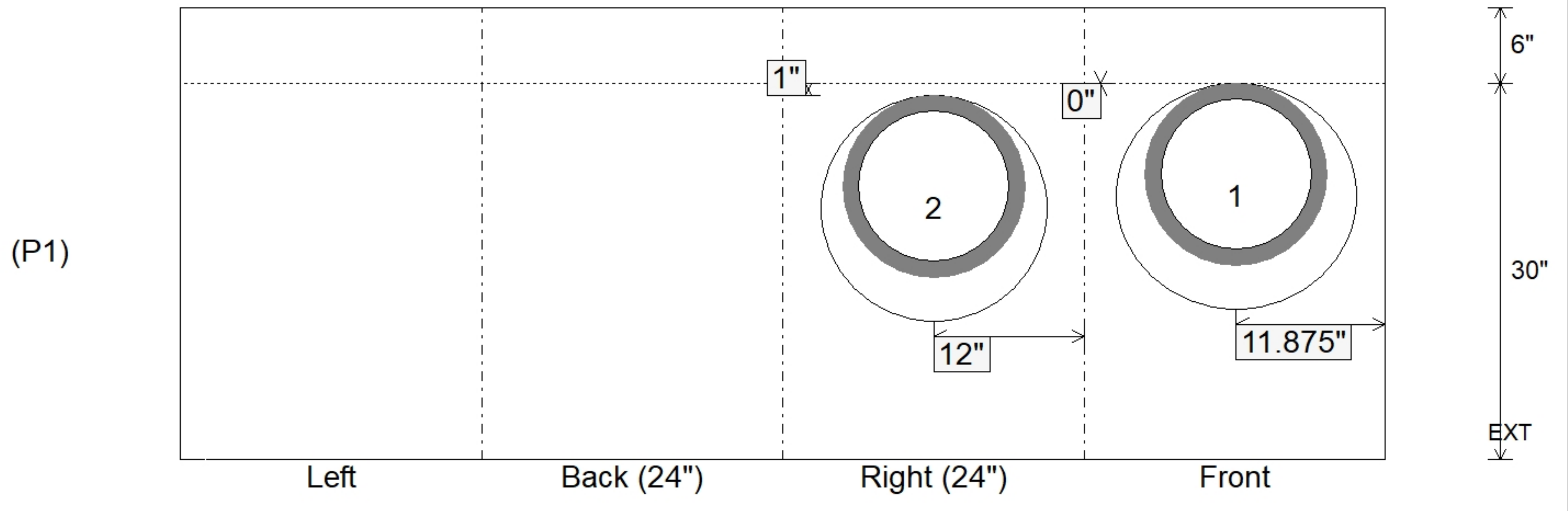
Position	Elev	Angle	Ext. (cw)	Pipe	Pipe OD	Connector	Hole	Horz Size	Up ( )	Offset
Invert 1	502.84'	340°	15.75"	12" HDPE	14.5"	Hole 18	18"	19.155"	0"	4"
Invert 2	502.92'	90°	18"	12" HDPE	14.5"	Hole 18	18"	18"	1"	0"
Invert 3										
Invert 4										
Invert 5										
Invert 6										
Invert 7										
Invert 8										

RIGHT-SIDE UP VIEW (int. dimensions)

UPSIDE-DOWN VIEW (int. dimensions)



INSIDE WALL DIMENSIONS



Coating (Int): Coating (Ext):	Seam Up: Flat Seam Dn: n/a	Wall Thickness: 6" Floor Height: 6"	Height (Int): 30" Height (Ext): 36"	Weight (Net): 2201 lb Volume (Net): 0.56cu.yd
----------------------------------	-------------------------------	--	--	--