

Job Name: 25-3384 - 833865 Carlock Dealership JC
Job Location: Brentwood, TN
Contractor: Contech Engineering Solutions

PC: T. Sekula
 TECH: J. Coppage
 Plant: 100



Structure ID: **KRACKEN KVOV0816-10**
 Spec: Storm-Pipe Centered
 Type: BX 6inW, 6inF
 Size: 96" x 192"

Rim: 7'
 Invert: 0'
 Rim to Invert: 7'

Sump: 0"
 Floor (Top): 0"
 Floor Height: 6"

Floor (Bot): -0.5'
 Overall Height: 7.5'
 Slack: 0"

Structure Notes:

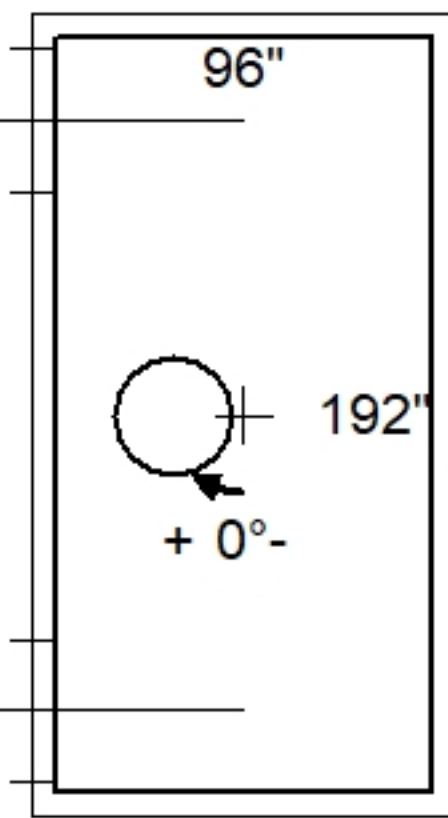
1. PER ASTM C913.
2. CONCRETE = 5,000 PSI AT 28 DAYS.
3. CASTING BY OTHERS.

REINFORCING PER ASTM A615 (GRADE 60).
 SEE CONTECH DRAWING RS-05 FOR REINFORCING
 INFORMATIONS.

STRUCTURE SUMMARY:

P3) 30" - CASTING HEIGHT - 4"	0 lb
P2) 96" x 192" - CB FLAT TOP 6"W w/(3) 30" HOLES - 8"	14315 lb
P1) 96" x 192" - BOX BASE 6inW, 6inF, Variable Ht - 72"	31818 lb
1) SECONDARY POUR	0 lb
1) ASSEMBLY REQUIRED	0 lb
1) Special Stenciling Required	0 lb
1) 96" x 192" - Conseal CS-102 1.00"	0 lb
2) Hole - 36	0 lb
Structure Total:	46133 lb

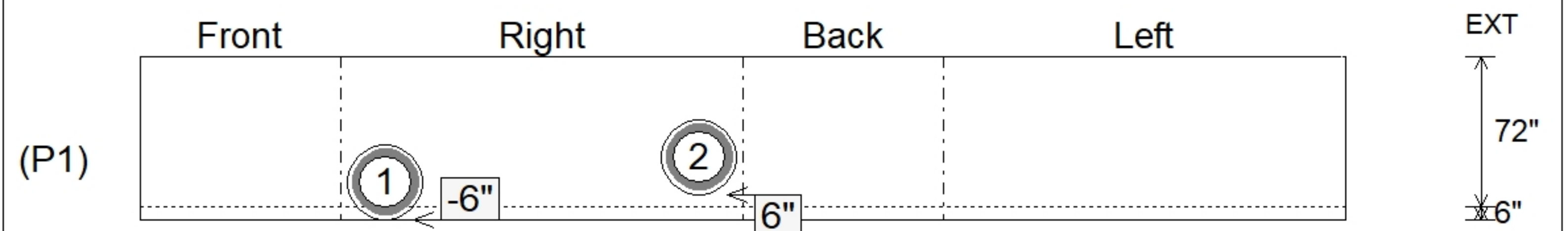
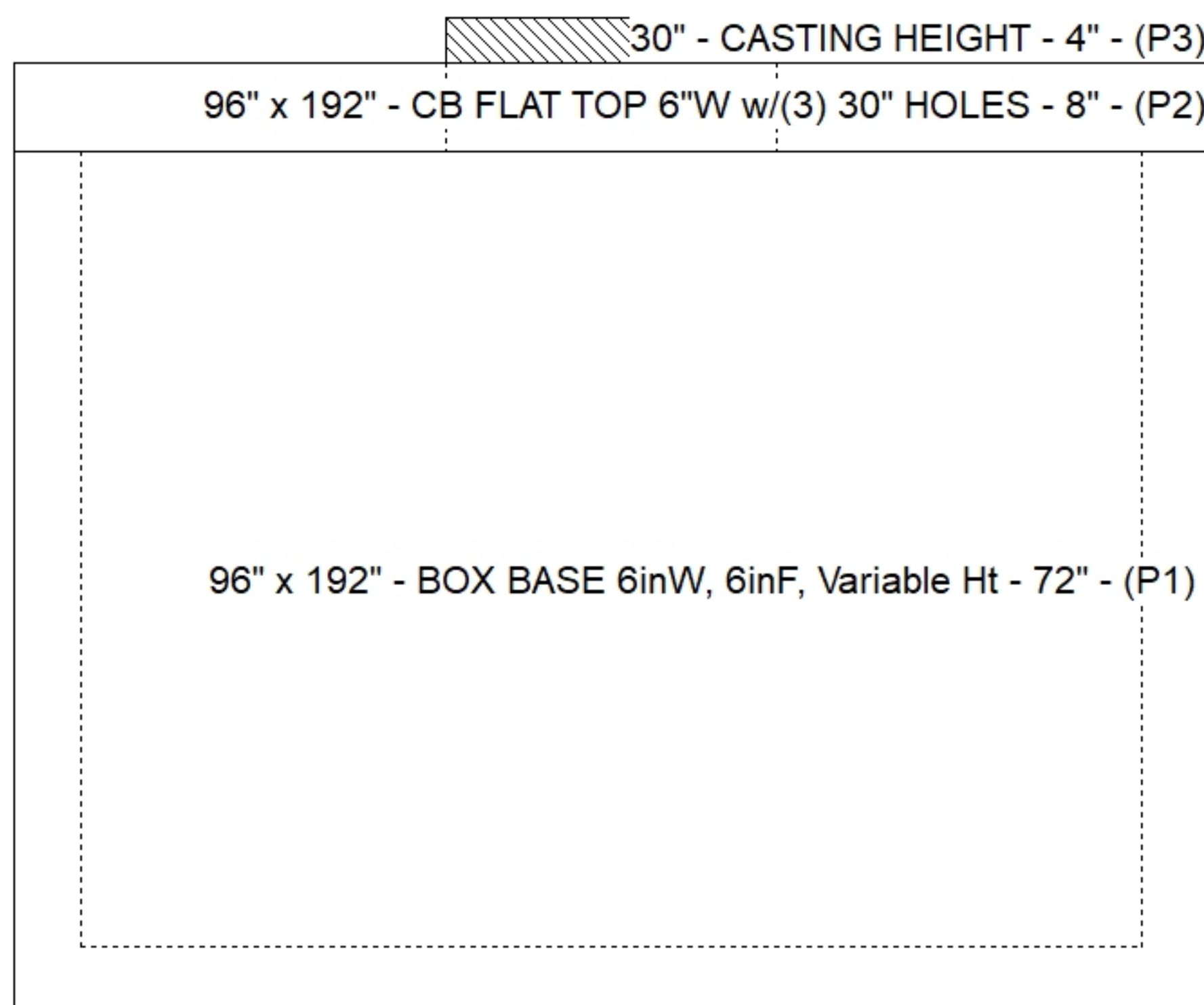
Invert: 2
 Degree: 90°



Invert: 1
 Degree: 90°

Position	Elev	Angle	Pipe	Pipe OD	Hole	Connector	Up ()	Ref
Rim	7'							
Reducer								
Invert 1	0'	90°	24" RCP C WALL	31.5"	36"	Hole 36	-6"	P1
Invert 2	1'	90°	24" RCP C WALL	31.5"	36"	Hole 36	6"	P1
Invert 3								
Invert 4								
Invert 5								
Invert 6								
Invert 7								
Invert 8								

Default - Interior Dimensions



Submittal Drawing
 11/6/2025 8:42:49 AM

SUBMITTAL
 APPROVED BY: