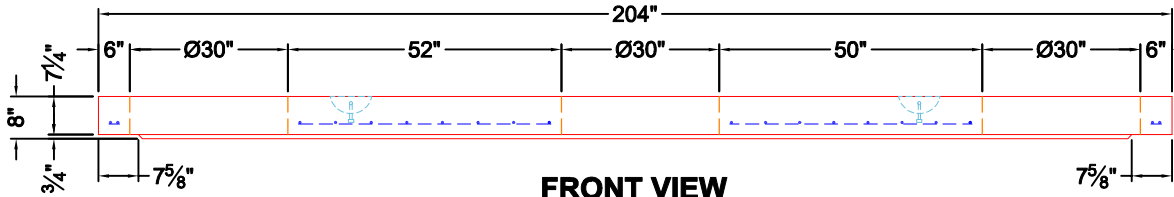


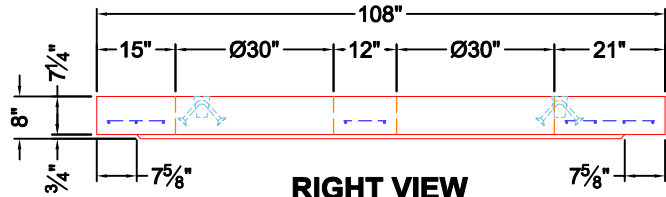
TOP VIEW

- GENERAL NOTES:**
1. DESIGN LOADING – AASHTO HS-20.
 2. DESIGN SPECIFICATIONS – ACI 318-14.
 3. CONCRETE: 5,000 PSI AT 28 DAYS.
 4. REINFORCING: AS SHOWN BELOW (GRADE 60)
SEE CONTECH DRAWING RS-05 FOR ADDITIONAL REINFORCEMENT INFORMATION.
 5. WEIGHT: 13,370 LBS.


4 EA. CONAC 5CA14 ANCHORS
CAST IN AS SHOWN.



FRONT VIEW



RIGHT VIEW

		QUALITY CONTROL CHECKLIST <input type="checkbox"/> ALL DIMENSIONS CORRECT. <input type="checkbox"/> LIFTERS INSTALLED. <input type="checkbox"/> OPENING CORRECT LOCATION. <input type="checkbox"/> REINFORCING CORRECT. <input type="checkbox"/> SURFACE QUALITY ACCEPTABLE. <input type="checkbox"/> EDGES CHAMFERED. <input type="checkbox"/> ALL PATCHWORK ACCEPTABLE.	PRODUCT I.D.: CVT PRODUCT VIEW: RIGHT SIDE UP PLANT: BEAVER DAM, KY. WEIGHT: 13,370 LBS. TOP SECTION JOINT: N/A BASE SECTION JOINT: N/A QC CHECK INITIALS:	DESCRIPTION: 108" X 204" X 8" THICK TOP SLAB CUSTOMER: CONTECH ENGINEERED SOLUTIONS, LLC PROJECT: 833965 CARLOCK DEALERSHIP STRUCTURE: KRACKEN KVOV0816-10 ORDER NO: 25-3384 PC: T. SEKULA DRAWING: J. COPPAGE DATE: 9/17/25 SCALE: NTS PG. 1 of 1
---	--	---	--	---

25-3384
 833965 Carlock Dealership
 KRACKEN KVOV0816-10

DESIGN NOTES

AS PROVIDED BY EOR:

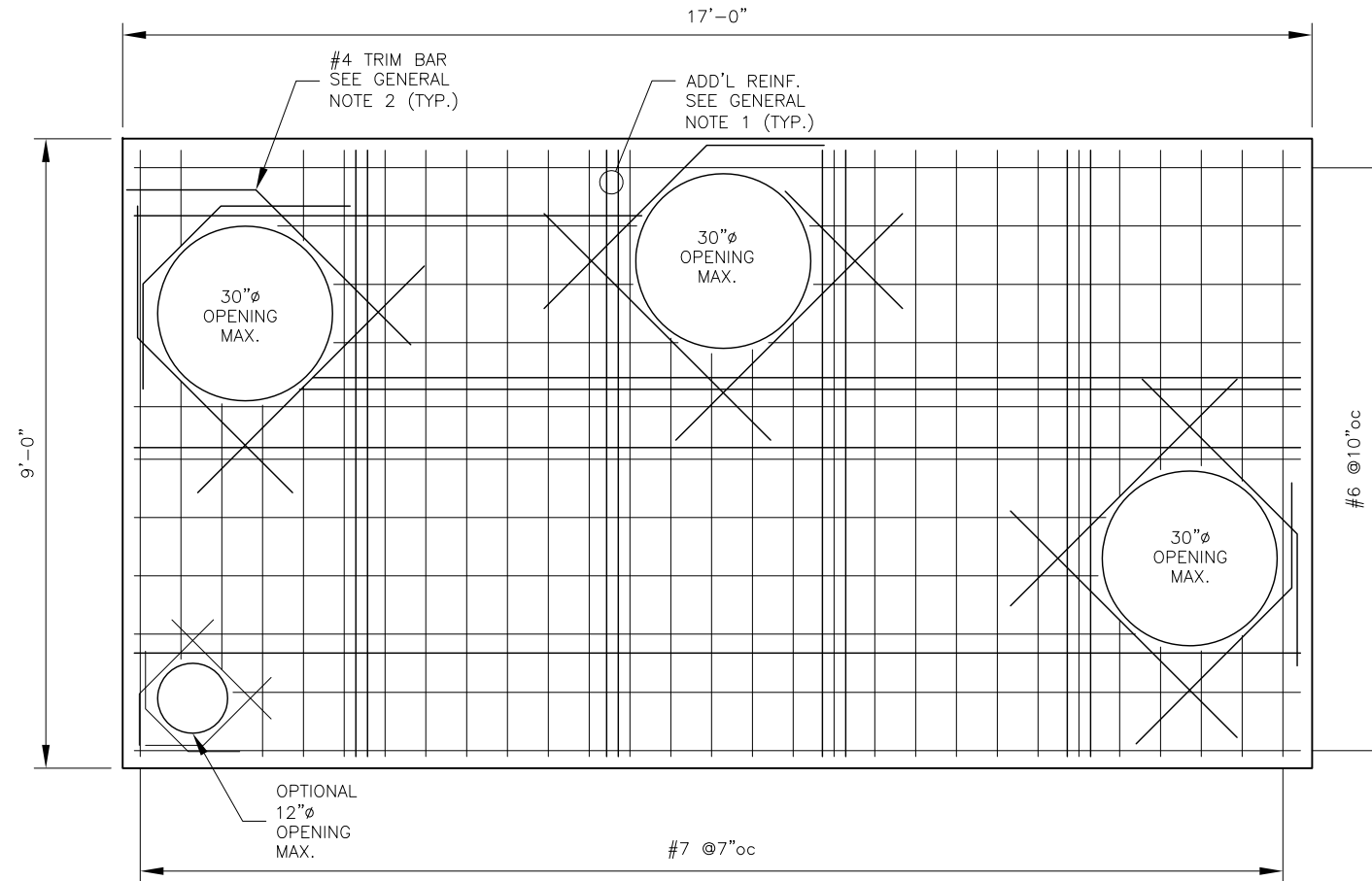
1. DESIGN IN ACCORDANCE WITH AASHTO 17TH ED. FOR HS-20 LIVE LOAD.

ASSUMPTIONS: (TO BE VERIFIED BY EOR)

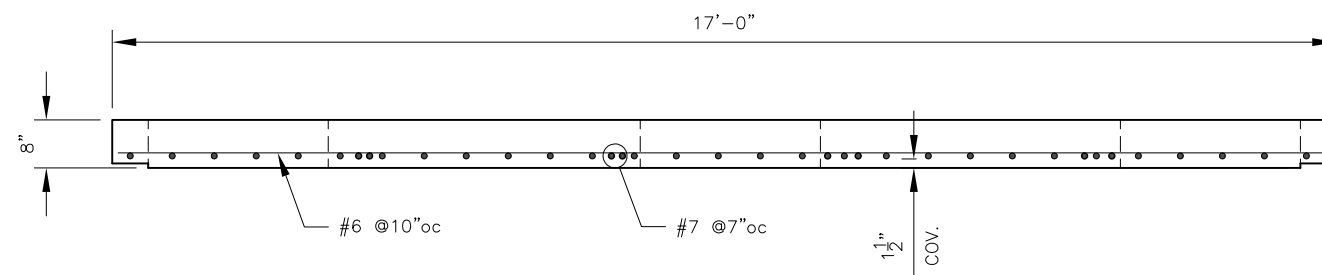
1. EARTH COVER = GREATER THAN 2'-10'
2. UNIT WEIGHT OF SOIL = 120 PCF
3. BAR COVER = 1 1/2" U.N.O.
4. f'c @ 28 DAYS = 5,000 PSI
5. REINFORCEMENT = BAR PER ASTM A615, GRADE 60

GENERAL NOTES:

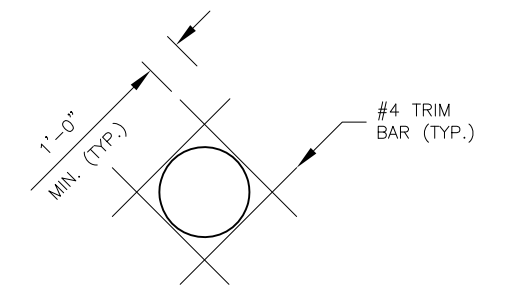
1. PROVIDE ADDITIONAL REINFORCING AROUND OPENINGS EQUAL TO THE BARS INTERRUPTED, HALF EACH SIDE. ADDITIONAL BARS TO BE IN THE SAME PLANE.
2. TRIM OPENINGS WITH DIAGONAL #4 BARS, EXTEND BARS MINIMUM 12" BEYOND OPENINGS, BEND BARS AS REQUIRED TO MAINTAIN BAR COVER.
3. THIS IS A REINFORCING SUMMARY, REFERENCE CONTECH ENGINEERED SOLUTIONS DRAWINGS FOR; OPENING SIZES, QUANTITY LOCATION AND OTHER INFORMATION.
4. LIFTING AND HANDLING BY OTHERS.



PLAN VIEW
(TOP SLAB)



TYPICAL REINFORCING SECTION



OPENING DETAIL
(ROUND SHOWN, SQUARE OR RECT. SIMILAR)

PREPARED BY: 860 HOOPER ROAD, ENDWELL, NY 13760-1564 PHONE(607)231-6600 FAX(607)231-6650			PREPARED FOR: 		
REV. NO.	DATE	REVISION	DATE: 5/12/20	SHEET TITLE: REINFORCING SUMMARY	DRWN BY: GJP
			SCALE: N.T.S.		CKD BY: RDB
			PROJECT: SFPD0816 STORMFILTER TOP SLABS		
			CONTRACTOR: DELTA PROJ. NO.: 2020.025.028	DWG. I.D.: RS-05	SHT. NO.: