

Job Name: 25-3365 Sanders Supply
 Job Location: Goodlettsville, TN
 Contractor: Shane Trucking

Plant: Beaver Dam

Tech: S. Felletter

1/22/2026 8:34:35 AM

PC: A. Chambers



Structure ID: ICAST LI8

P3 CTS

CB FLAT TOP 6"W w/4x JBS-8110 CAST IN F/F

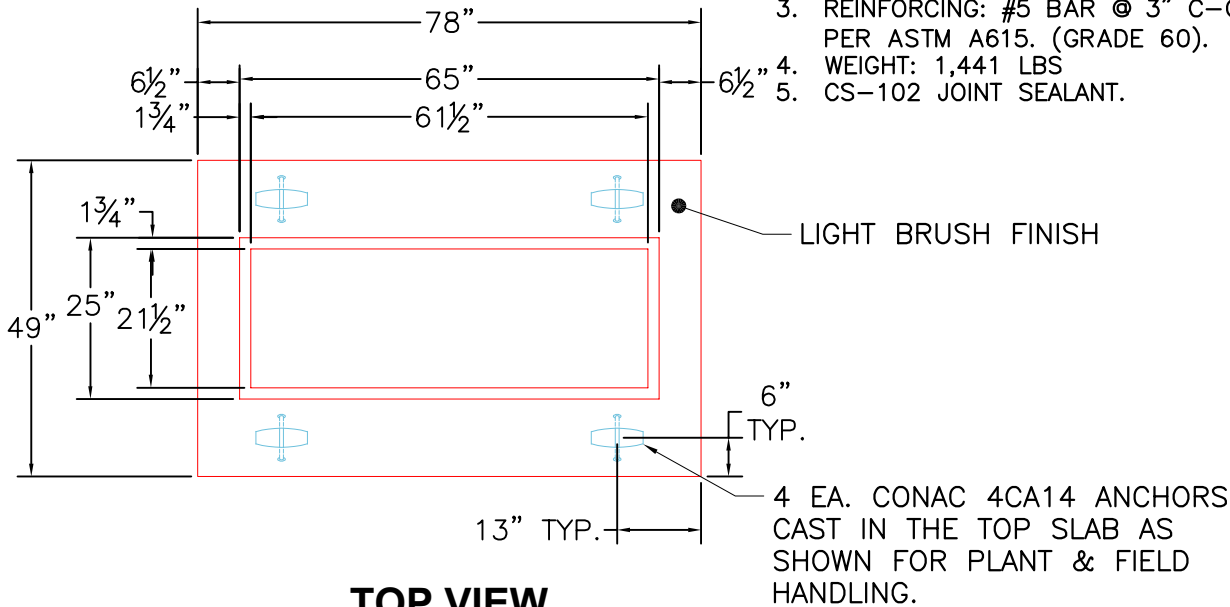
- P4) 20" x 12" - CASTING HEIGHT - 0"
- P3) 37" x 66" - CB FLAT TOP 6"W w/4x JBS-8110 CAST IN F/F - 6"
- P2) 37" x 66" - BOX RISER 6inW, Variable Ht F/F - 36"
- P1) 37" x 66" - P.I.P. BY OTHERS - BTM SLAB F/n - 0"
- 1) Conseal CS-102 1.00" (Double)
- 1) This Structure Includes a Cast-in Item
- 2) DOGHOUSE - 12"x14"

- Structure Notes:
1. 3X JBS-8110H PROVIDED BY ICAST
 2. 1X JBS-8110H W/ TOUCH READ HOLE BY ICAST.
 3. PER ASTM C913 SPECIFICATIONS.
 4. CONCRETE = 4,000 PSI AT 28 DAYS.
 5. VERIFY ALL ELEVATIONS, NO INFORMATION PROVIDED.
 6. REINFORCING PER ASTM A615 (GRADE 60).
 - TOP SLAB (As .62) #5 BARS AT 6" C.C.E.W.
 - WALLS (As .31) #5 BARS AT 12" C.C.E.W.

Structure Total: 5459 lb

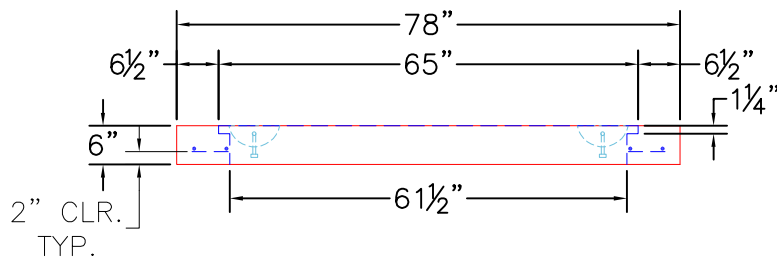
GENERAL NOTES:

1. MANUFACTURED TO ASTM C-913 (LATEST REVISION).
2. CONCRETE: 5,000 PSI AT 28 DAYS.
3. REINFORCING: #5 BAR @ 3" C-C E.W. PER ASTM A615. (GRADE 60).
4. WEIGHT: 1,441 LBS
5. CS-102 JOINT SEALANT.

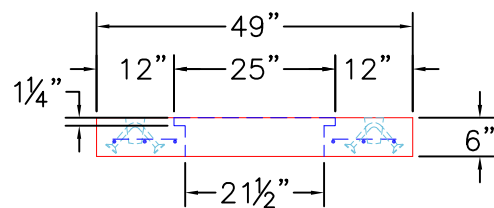


TOP VIEW

4 EA. CONAC 4CA14 ANCHORS
 CAST IN THE TOP SLAB AS
 SHOWN FOR PLANT & FIELD
 HANDLING.



FRONT VIEW



RIGHT VIEW

Coating (Int):
 Coating (Ext):

Seam Up: Flat
 Seam Dn: Flat

Wall Thickness: 6"

Height (Ext): 6"

Weight (Net): 1441 lb
 Volume (Net): 0.37cu.yd