

**Structure ID: ICAST LI8**

**P1**

**P.I.P. BY OTHERS - BTM SLAB F/n**

P4) 20" x 12" - CASTING HEIGHT - 0" P3) 37" x 66" - CB FLAT TOP 6"W w/4x JBS-8110 CAST IN F/F - 6" P2) 37" x 66" - BOX RISER 6inW, Variable Ht F/F - 36" P1) 37" x 66" - P.I.P. BY OTHERS - BTM SLAB F/n - 0" 1) Conseal CS-102 1.00" (Double) 1) This Structure Includes a Cast-in Item 2) DOGHOUSE - 12"x14"	0 lb 1441 lb 4018 lb 0 lb 0 lb 0 lb 0 lb 0 lb ----- 5459 lb	Structure Total: 5459 lb
--	--	--------------------------

Structure Notes:

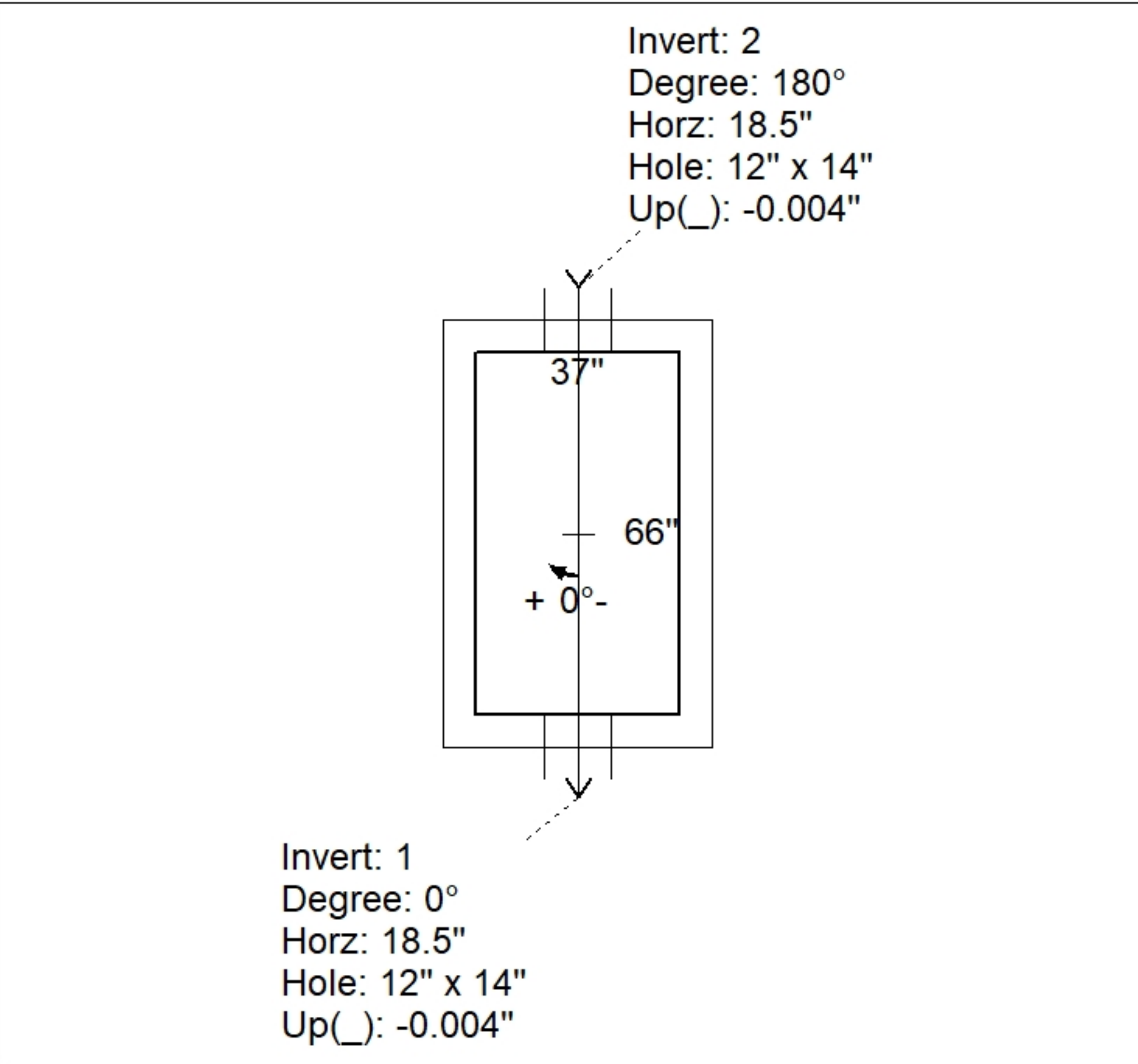
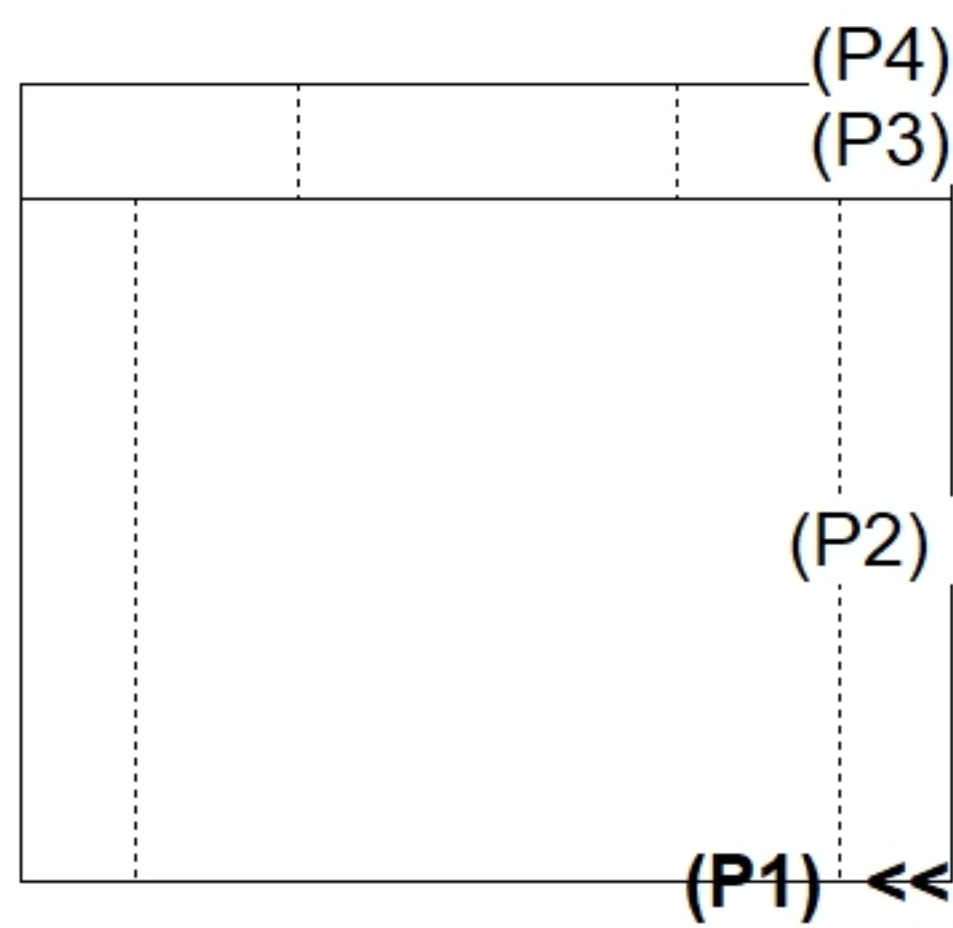
1. 3X JBS-8110H PROVIDED BY ICAST
2. 1X JBS-8110H W/ TOUCH READ HOLE BY ICAST.
3. PER ASTM C913 SPECIFICATIONS.
4. CONCRETE = 4,000 PSI AT 28 DAYS.
5. VERIFY ALL ELEVATIONS, NO INFORMATION PROVIDED.
6. REINFORCING PER ASTM A615 (GRADE 60).  
 - TOP SLAB (As .62) #5 BARS AT 6" C.C.E.W.  
 - WALLS (As .31) #5 BARS AT 12" C.C.E.W.

Rim: 3.5'      Rim to Invert: 3.167'      Slack: 0"      Sump: 3.996"      Step Position:

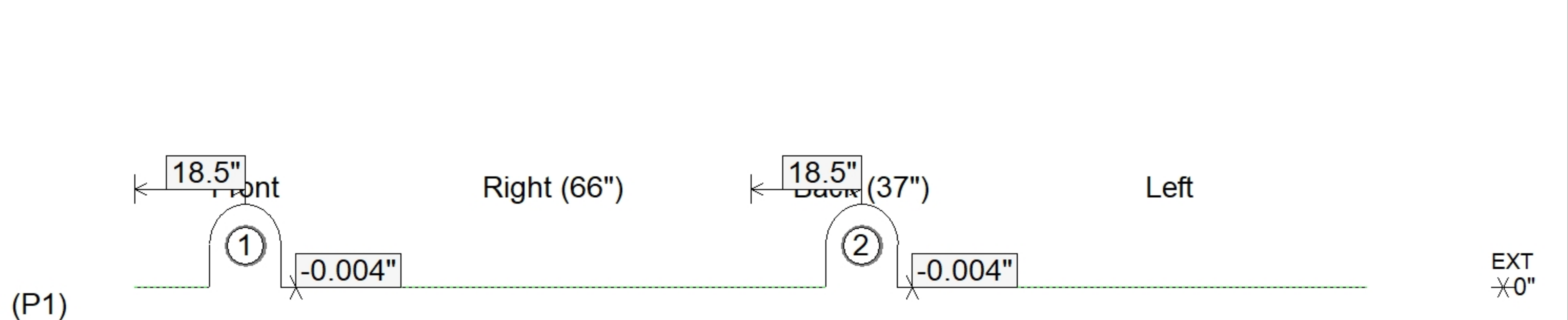
Position	Elev	Angle	Ext. (cw)	Pipe	Pipe OD	Connector	Hole	Horz Size	Up ( )	Offset
Invert 1	0.333'	0°	24.5"	6" DI	6.875"	DOGHOUSE 12"x14"	12" x 14"	12"	-0.004"	0"
Invert 2	0.333'	180°	24.5"	6" DI	6.875"	DOGHOUSE 12"x14"	12" x 14"	12"	-0.004"	0"
Invert 3										
Invert 4										
Invert 5										
Invert 6										
Invert 7										
Invert 8										

RIGHT-SIDE UP VIEW (int. dimensions)

UPSIDE-DOWN VIEW (int. dimensions)



INSIDE WALL DIMENSIONS



Coating (Int): Coating (Ext):	Seam Up: Flat Seam Dn: n/a	Wall Thickness: 6" Floor Height: 0"	Height (Int): 0" Height (Ext): 0"	Weight (Net): 0 lb Volume (Net): 0cu.yd
----------------------------------	-------------------------------	--	--------------------------------------	--