

Job Name: 25-3353B Portland Sanitary Sewer MH-172 Base Remake
Job Location: Portland, TN
Contractor: Core & Main LP (Nashville)

PC: T. Lewis
 TECH: S. Felletter
 Plant: Beaver Dam



Structure ID: **MH-172 Remake SS-MH**
 Spec: Sanitary
 Type: SAN.MH w/ConBlock-CDA Red
 Size: 48"

Rim: 811.833'
 Invert: 810'
 Rim to Invert: 1.833'

Sump: 2"
 Floor (Top): 809.833'
 Floor Height: 6"

Floor (Bot): 809.333'
 Overall Height: 2.5'
 Slack: 0"

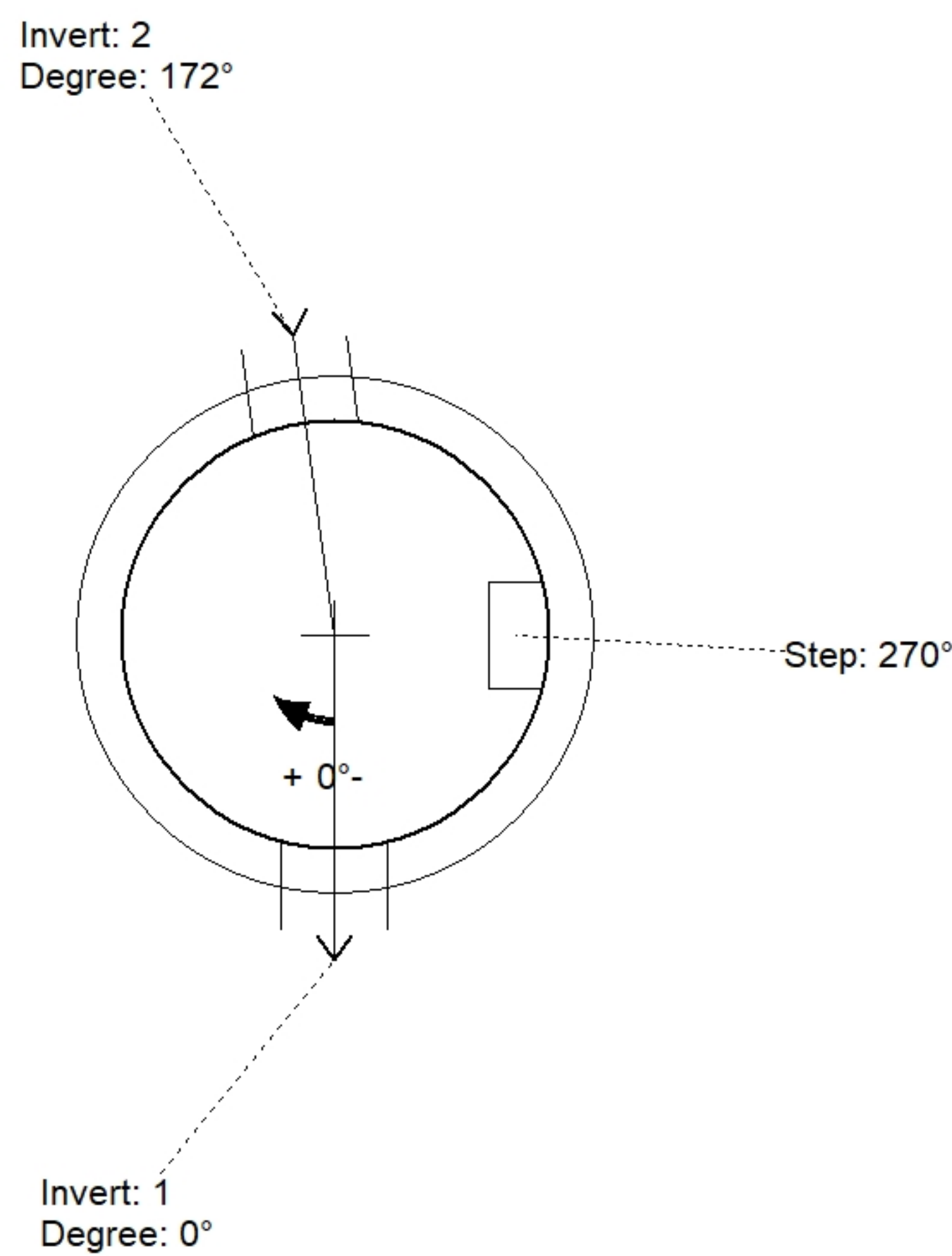
Structure Notes:

- PER ASTM C478 SPECIFICATIONS.
- CONCRETE = 4,000 PSI AT 28 DAYS.
- ADMIXTURE = CONBLOCK CDA RED.

REINFORCING PER ASTM A615 (GRADE 60).
 - RISER/WALLS (As .12)
 - FLOOR (As .31) #5 BARS AT 12" C.C.E.W.

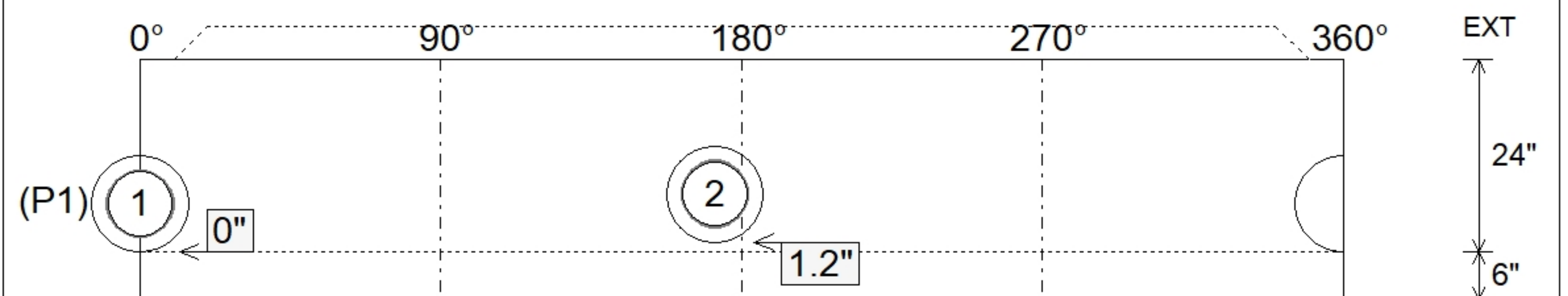
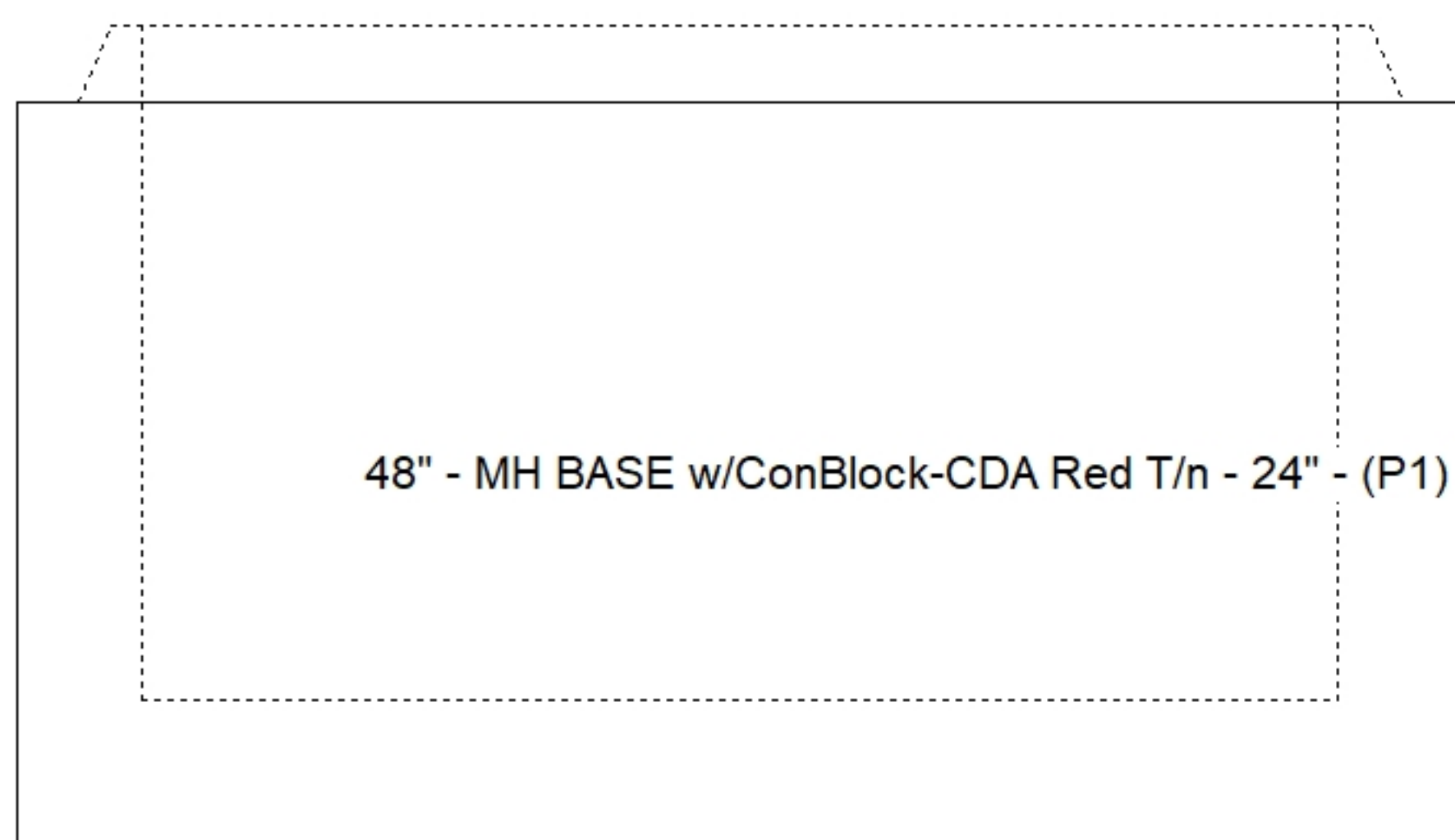
STRUCTURE SUMMARY:

P1) 48" - MH BASE w/ConBlock-CDA Red T/n - 24"	2911 lb
1) JOINT WRAP - 0.065"x6"x50' CONSEAL CS212	0 lb
1) JOINT WRAP PRIMER - CONSEAL CS-75 (1 gal.)	0 lb
1) 48" - MH INVERT CHANNEL w/XYPEX - FULL HEIGHT	1440 lb
1) 48" - Con Seal CS-102 1.00" (Double)	0 lb
2) PSX - 12-08 NYLO	16 lb
2) MH Step ML-10-TDS-NCR - 10"	0 lb
Structure Total:	4367 lb



Position	Elev	Angle	Pipe	Pipe OD	Hole	Connector	Up (")	Ref
Rim	811.833'							
Reducer								
Invert 1	810'	0°	8" PVC SDR26	8.5"	12"	PSX 12-08 NYLO	0"	P1
Invert 2	810.1'	172°	8" PVC SDR26	8.5"	12"	PSX 12-08 NYLO	1.2"	P1
Invert 3								
Invert 4								
Invert 5								
Invert 6								
Invert 7								
Invert 8								

Default - Interior Dimensions



Submittal Drawing
 3/25/2026 9:04:17 AM

SUBMITTAL
 APPROVED BY: