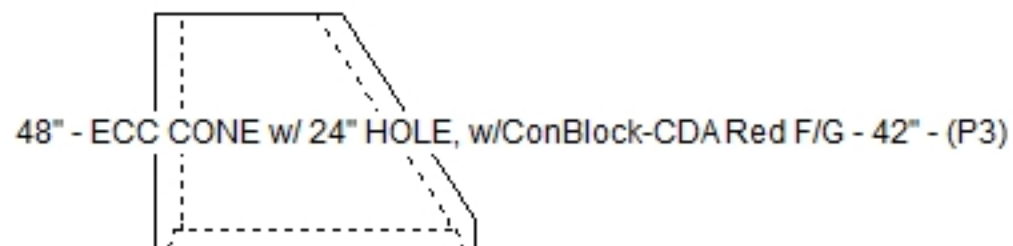
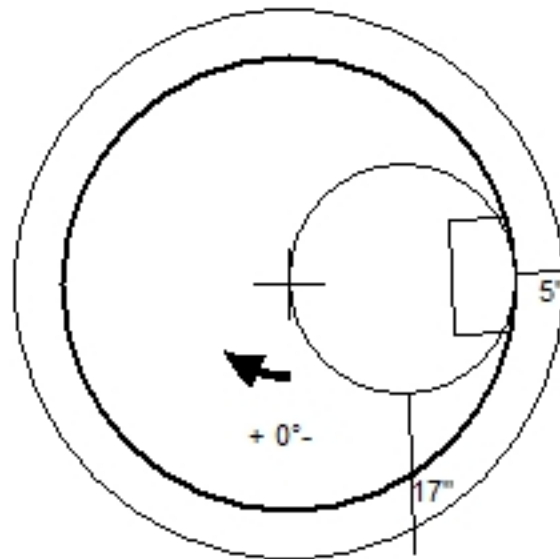


Job Name: 25-3353 - PORTLAND SEWER IMPROVEMENTS	Plant: 100	Tech: J. Horsley - F
Job Location: Portland, TN 37148	11/13/2025 9:00:04 AM	PC: E. Bradley
Contractor: Core & Main LP (Nashville)		

**Structure ID: SSMH 174**  
**P3 MH048CN42CDARED ECC CONE w/ 24" HOLE, w/ConBlock-CDA Red F/G**

P5) 24" - CASTING HEIGHT - 6"	0 lb	<b>Structure Notes:</b> 1. PER ASTM C478 SPECIFICATIONS. 2. CONCRETE = 4,000 PSI AT 28 DAYS. 3. ADMIXTURE = CONBLOCK CDA RED. 4. CASTING BY I-CAST (JBS 1155 F/C "SANITARY").  REINFORCING PER ASTM A615 (GRADE 60). - CONE (As .12) - RISER/WALLS (As .12) - FLOOR (As .31) #5 BARS AT 12" C.C.E.W.
P4) 24" - GRADE RING w/ConBlock-CDA Red F/F - 3"	202 lb	
P3) 48" - ECC CONE w/ 24" HOLE, w/ConBlock-CDA Red F/G - 42"	3116 lb	
P2) 48" - MH RISER w/ConBlock-CDA Red T/G - 60"	4192 lb	
P1) 48" - MH BASE w/ConBlock-CDA Red T/n - 38"	3749 lb	
1) JOINT WRAP - 0.085"x8"x50' CONSEAL CS212	0 lb	
1) JOINT WRAP PRIMER - CONSEAL CS-75 (1 gal.)	0 lb	
1) 48" - MH INVERT CHANNEL - FULL HEIGHT	1440 lb	
1) ADMIXTURE CONBLOCK CDA RED	0 lb	
1) CASTING - JBS 1155 F/C SANITARY	250 lb	
2) 48" - Conseal CS-102 1.00" (Double)	0 lb	
2) PSX - 12-08 NYLO	16 lb	
12) MH Step ML-10-TDS-NCR - 10"	0 lb	
<b>Structure Total:</b>	<b>12966 lb</b>	



Coating (Int):	Seam Up: Flat	Wall Thickness: 5"	Height (Ext): 42"	Weight (Net): 3116 lb
Coating (Ext):	Seam Dn: Groove			Volume (Net): 0.8cu.yd