

Job Name: 25-3353 - PORTLAND SEWER IMPROVEMENTS	Plant: 100	Tech: J. Horsley - F
Job Location: Portland, TN 37148	11/13/2025 8:59:28 AM	PC: E. Bradley
Contractor: Core & Main LP (Nashville)		

Structure ID: CB - Replace

P1 BX3636-08BAVF

BOX BASE 8inW, 8inF, Variable Ht F/n

P2) 36" x 36" - CASTING HEIGHT - 4"	0 lb
P1) 36" x 36" - BOX BASE 8inW, 8inF, Variable Ht F/n - 33"	5081 lb
1) CASTING - JBS 4260 F/G	500 lb
3) Hole - 20	0 lb
3) MH Step ML-10-TDS-NCR - 10"	0 lb
Structure Total:	5581 lb

Structure Notes:
 1. PER ASTM C913 SPECIFICATIONS.
 2. CONCRETE = 4,000 PSI AT 28 DAYS.
 3. NO STEPS AND NO INVERT CHANNEL.
 4. CASTING BY ICAST (JBS-4260 F/G).

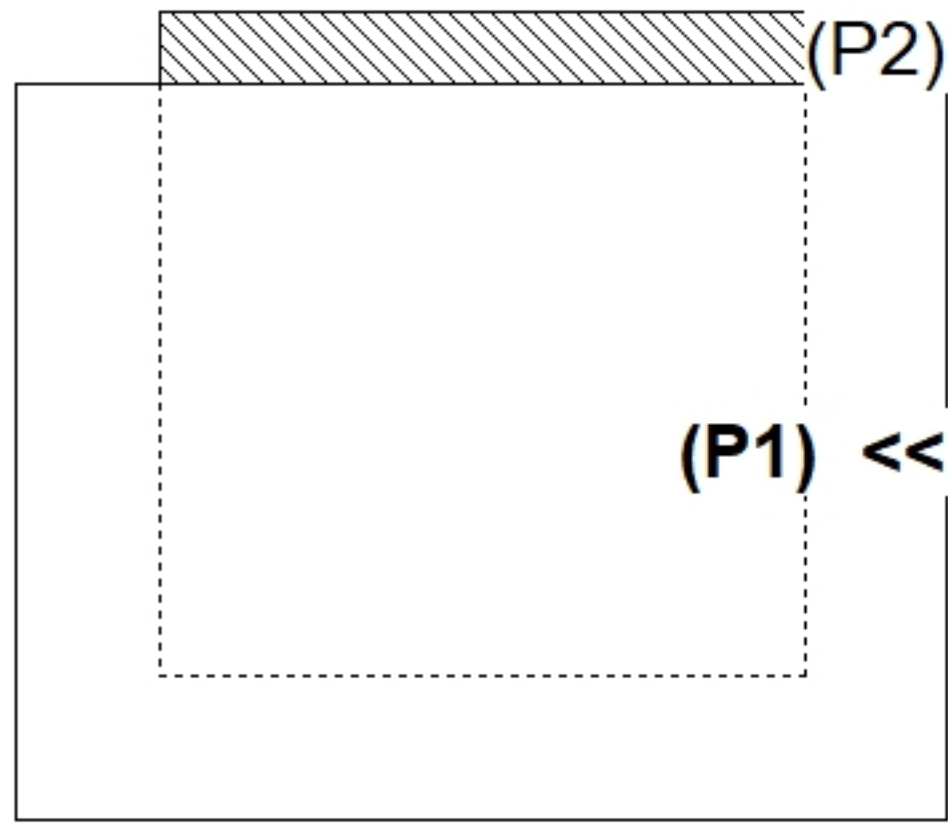
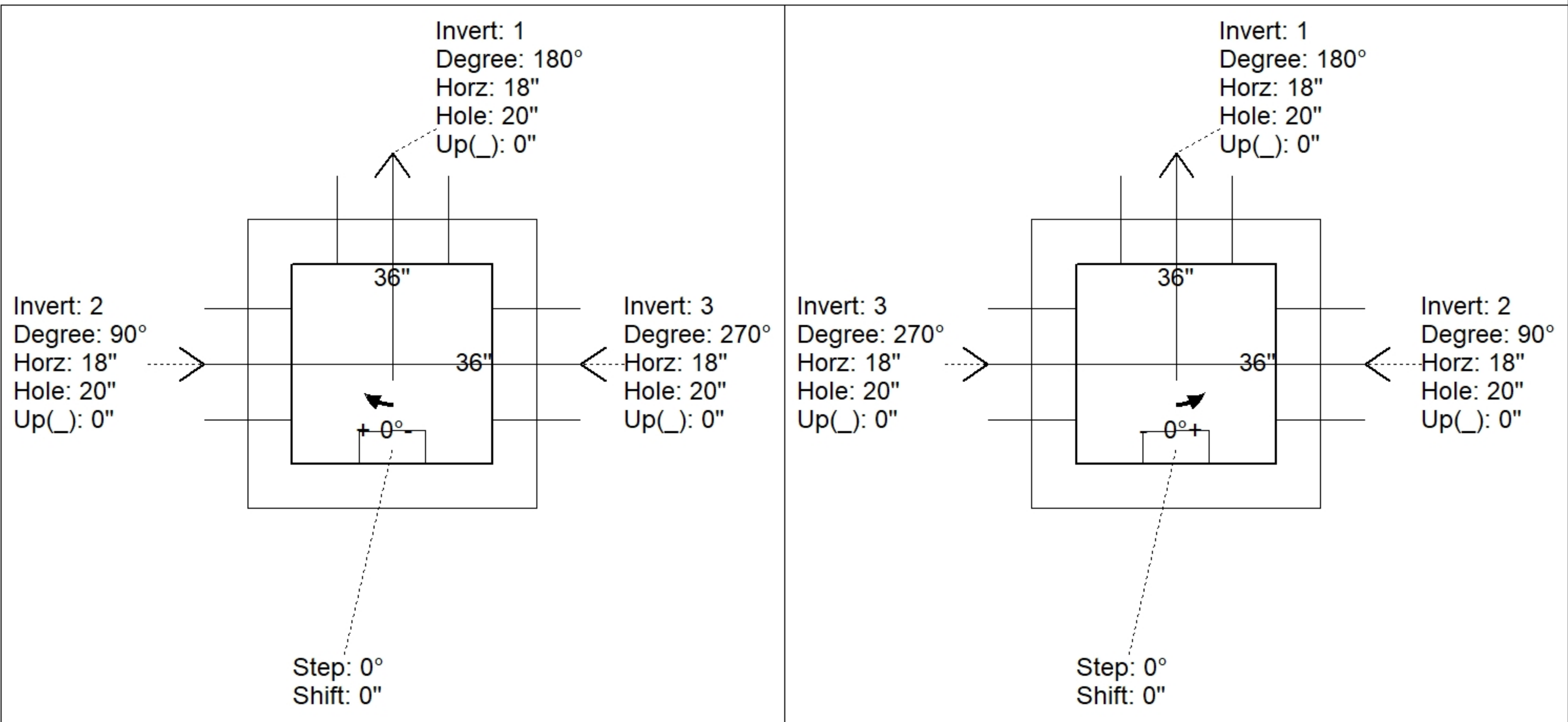
REINFORCING PER ASTM A615 (GRADE 60).
 - WALLS (As .12) #5 BARS AT 12" C.C.E.W.
 - FLOOR (As .12) #5 BARS AT 12" C.C.E.W

Rim: 791' Rim to Invert: 3' Slack: 0.5" Sump: 1.5" Step Position: 0°

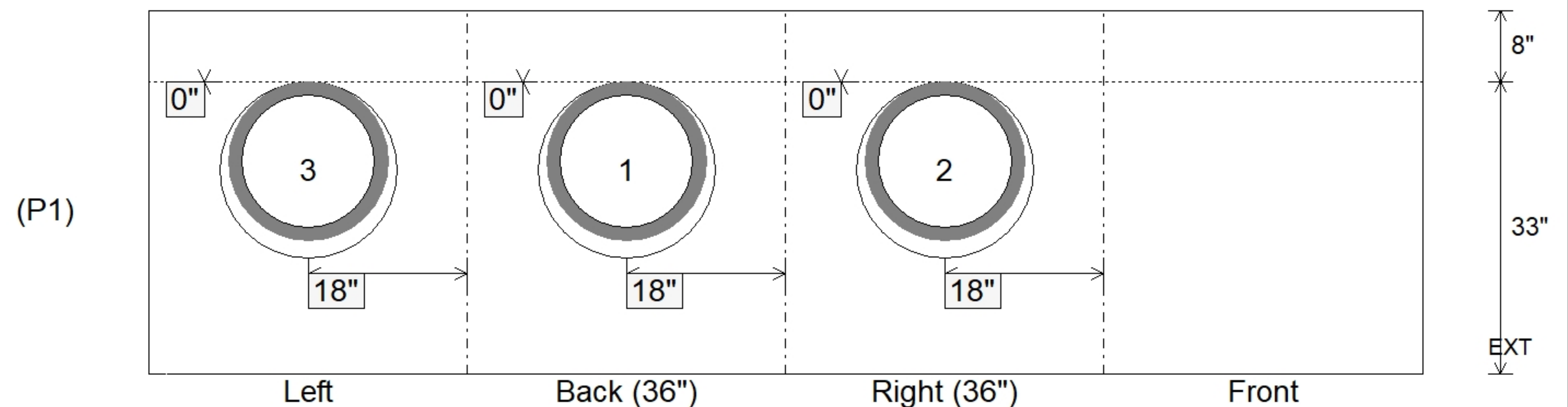
Position	Elev	Angle	Ext. (cw)	Pipe	Pipe OD	Connector	Hole	Horz Size	Up ()	Offset
Invert 1	788'	180°	26"	15" ADS N-12	18"	Hole 20	20"	20"	0"	0"
Invert 2	788'	90°	26"	15" ADS N-12	18"	Hole 20	20"	20"	0"	0"
Invert 3	788'	270°	26"	15" ADS N-12	18"	Hole 20	20"	20"	0"	0"
Invert 4										
Invert 5										
Invert 6										
Invert 7										
Invert 8										

RIGHT-SIDE UP VIEW (int. dimensions)

UPSIDE-DOWN VIEW (int. dimensions)



INSIDE WALL DIMENSIONS



Coating (Int):	Seam Up: Flat	Wall Thickness: 8"	Height (Int): 33"	Weight (Net): 5081 lb
Coating (Ext):	Seam Dn: n/a	Floor Height: 8"	Height (Ext): 41"	Volume (Net): 1.3cu.yd