

Job Name: 25-3335 Palisades Whiskey Co.
Job Location: Richmond, KY
Contractor: Buzick Construction

PC: C.Goff
 TECH: C.Russ
 Plant: Beaver Dam



Structure ID: C1

Spec: Storm
 Type: BX 6inW, 6inF
 Size: 24" x 24"

Rim: 787.3'
 Invert: 784.8'
 Rim to Invert: 2.5'

Sump: 0"
 Floor (Top): 784.8"
 Floor Height: 6"

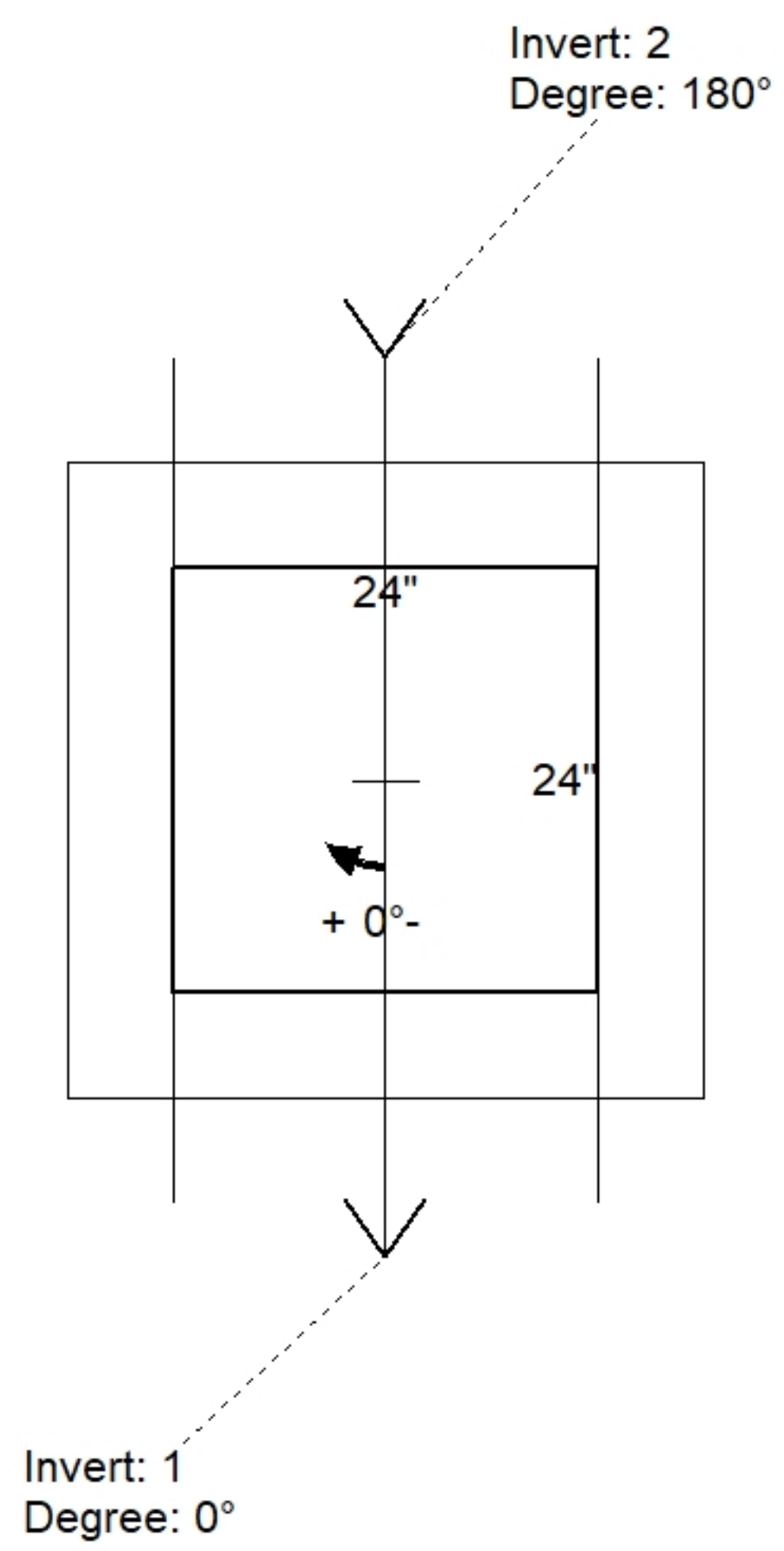
Floor (Bot): 784.3'
 Overall Height: 3'
 Slack: 0"

Structure Notes:

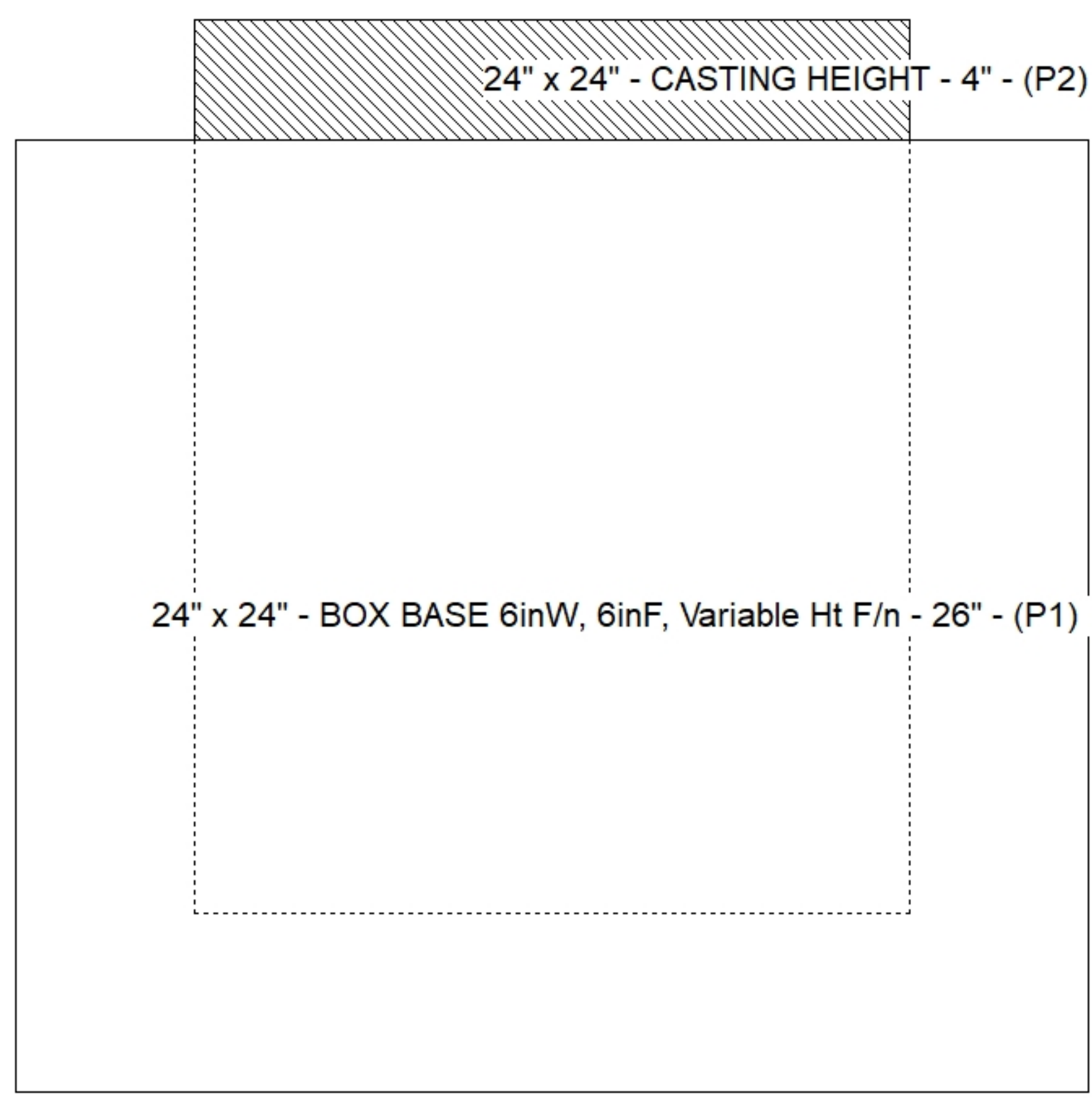
1. PER ASTM C913 SPECIFICATIONS.
2. CONCRETE = 4,000 PSI AT 28 DAYS.
3. NO INVERT CHANNEL.
4. HOE 280T F/G BY ICAST
5. REINFORCING PER ASTM A615 (GRADE 60).
 - WALLS (As .12) #5 BARS AT 12" C.C.E.W.
 - FLOOR (As .12) #5 BARS AT 12" C.C.E.W.

STRUCTURE SUMMARY:

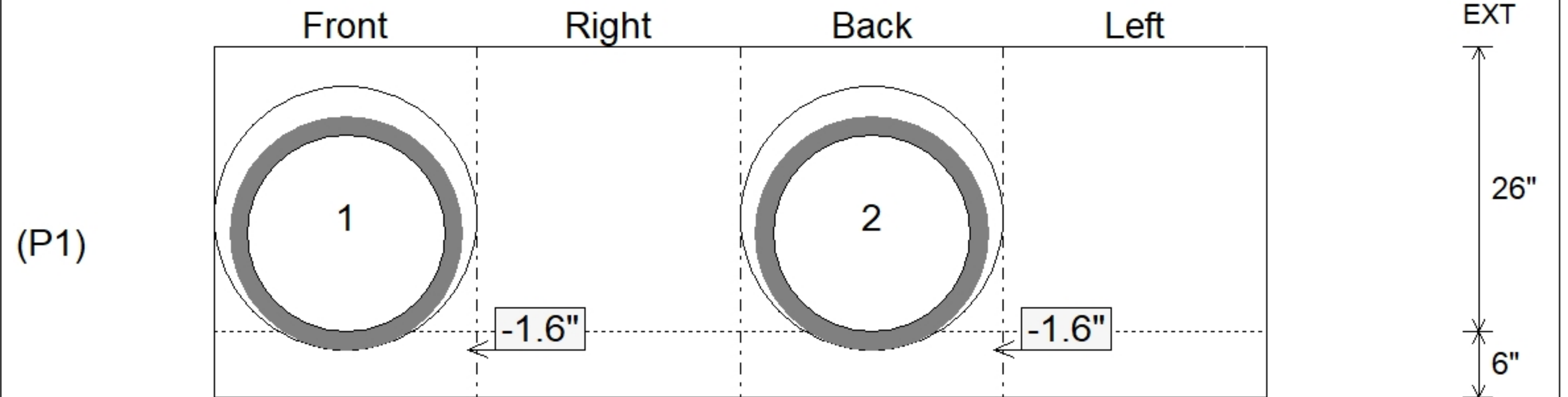
P2) 24" x 24" - CASTING HEIGHT - 4"	0 lb
P1) 24" x 24" - BOX BASE 6inW, 6inF, Variable Ht F/n - 26"	1882 lb
1) CASTING - HOE 280T F/G	182 lb
1) 24" x 24" - SGL 1"x14.5' Butyl	0 lb
2) Hole - 24	0 lb
Structure Total:	2064 lb



Position	Elev	Angle	Pipe	Pipe OD	Hole	Connector	Up (")	Ref
Rim	787.3'							
Reducer								
Invert 1	784.8'	0°	18" HDPE	21.2"	24"	Hole 24	-1.6"	P1
Invert 2	784.8'	180°	18" HDPE	21.2"	24"	Hole 24	-1.6"	P1
Invert 3								
Invert 4								
Invert 5								
Invert 6								
Invert 7								
Invert 8								



Default - Interior Dimensions



Submittal Drawing
 10/21/2025 12:24:10 PM

SUBMITTAL
 APPROVED BY: