

Job Name: 25-3335 Palisades Whiskey Co. Job Location: Richmond, KY Contractor: Buzick Construction	Plant: Beaver Dam 10/21/2025 12:25:59 PM	Tech: C.Russ PC: C.Goff	
--	---	----------------------------	--

**Structure ID: A-OCS1**

**P2 BX3636-08R30**

**BOX RISER 8inW T/G**

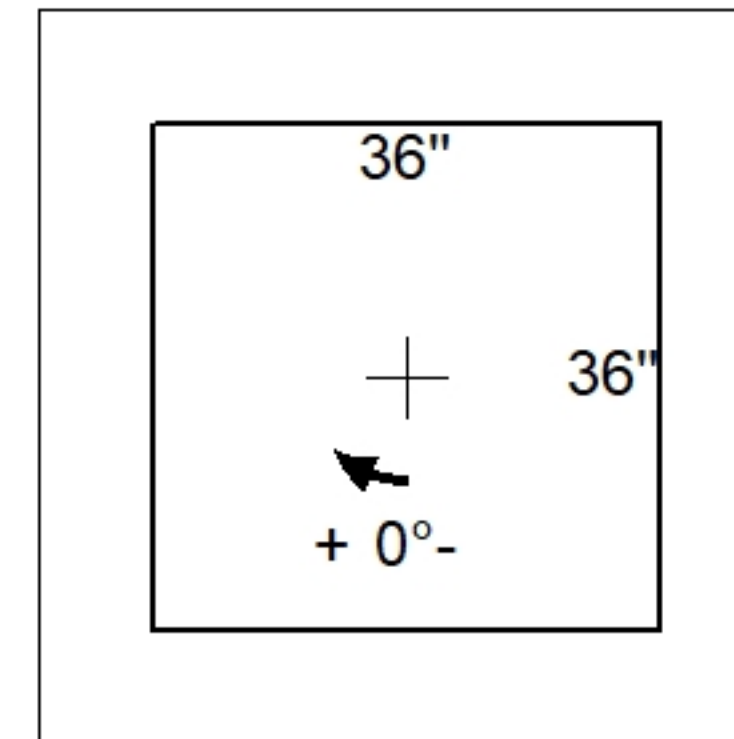
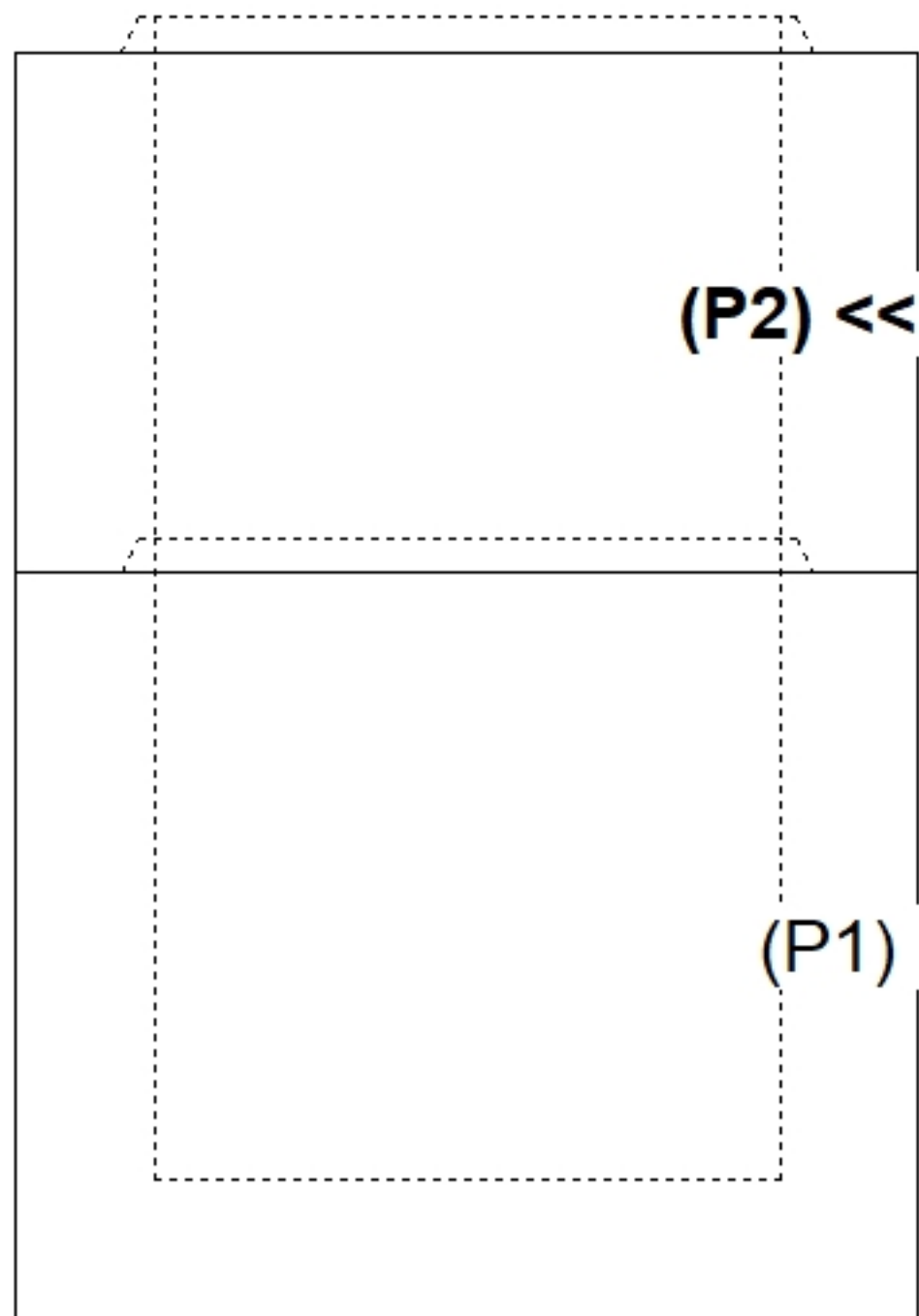
P2) 36" x 36" - BOX RISER 8inW T/G - 30"	3544 lb
P1) 36" x 36" - BOX BASE 8inW, 8inF, Variable Ht T/n - 35"	5739 lb
1) Hole - 20	0 lb
Structure Total:	9284 lb

Structure Notes:  
 1. PER ASTM C913 SPECIFICATIONS.  
 2. CONCRETE = 4,500 PSI AT 28 DAYS.  
 3. CASTING ?  
  
 REINFORCING PER ASTM A615 (GRADE 60).

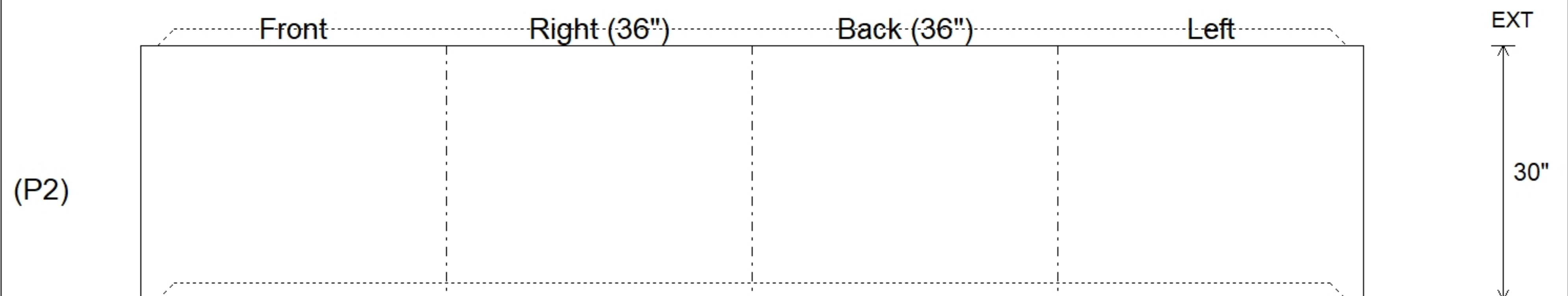
Rim: 5.45'    Rim to Invert: 5.45'    Slack: 0.4"    Sump: 0"    Step Position:

Position	Elev	Angle	Ext. (cw)	Pipe	Pipe OD	Connector	Hole	Horz Size	Up (L)	Offset
Invert 1										
Invert 2										
Invert 3										
Invert 4										
Invert 5										
Invert 6										
Invert 7										
Invert 8										

**RIGHT-SIDE UP VIEW (int. dimensions)**



**INSIDE WALL DIMENSIONS**



Coating (Int): Coating (Ext):	Seam Up: Tongue Seam Dn: Groove	Wall Thickness: 8" Floor Height: 0"	Height (Int): 30" Height (Ext): 30"	Weight (Net): 3544 lb Volume (Net): 0.9cu.yd
----------------------------------	------------------------------------	--	--	---