

Job Name: 25-3334 Hickory Industrial Park
Job Location: Hickory, KY
Contractor: Crider Paving & Excavating

PC: E.Bradley
 TECH: C.Russ
 Plant: Beaver Dam



Structure ID: **WET WELL**

Spec: Sanitary
 Type: Wet Well
 Size: 72"

Rim: 485.5'
 Invert: 479.17'
 Rim to Invert: 6.33'

Sump: 104.04"
 Floor (Top): 470.5'
 Floor Height: 12"

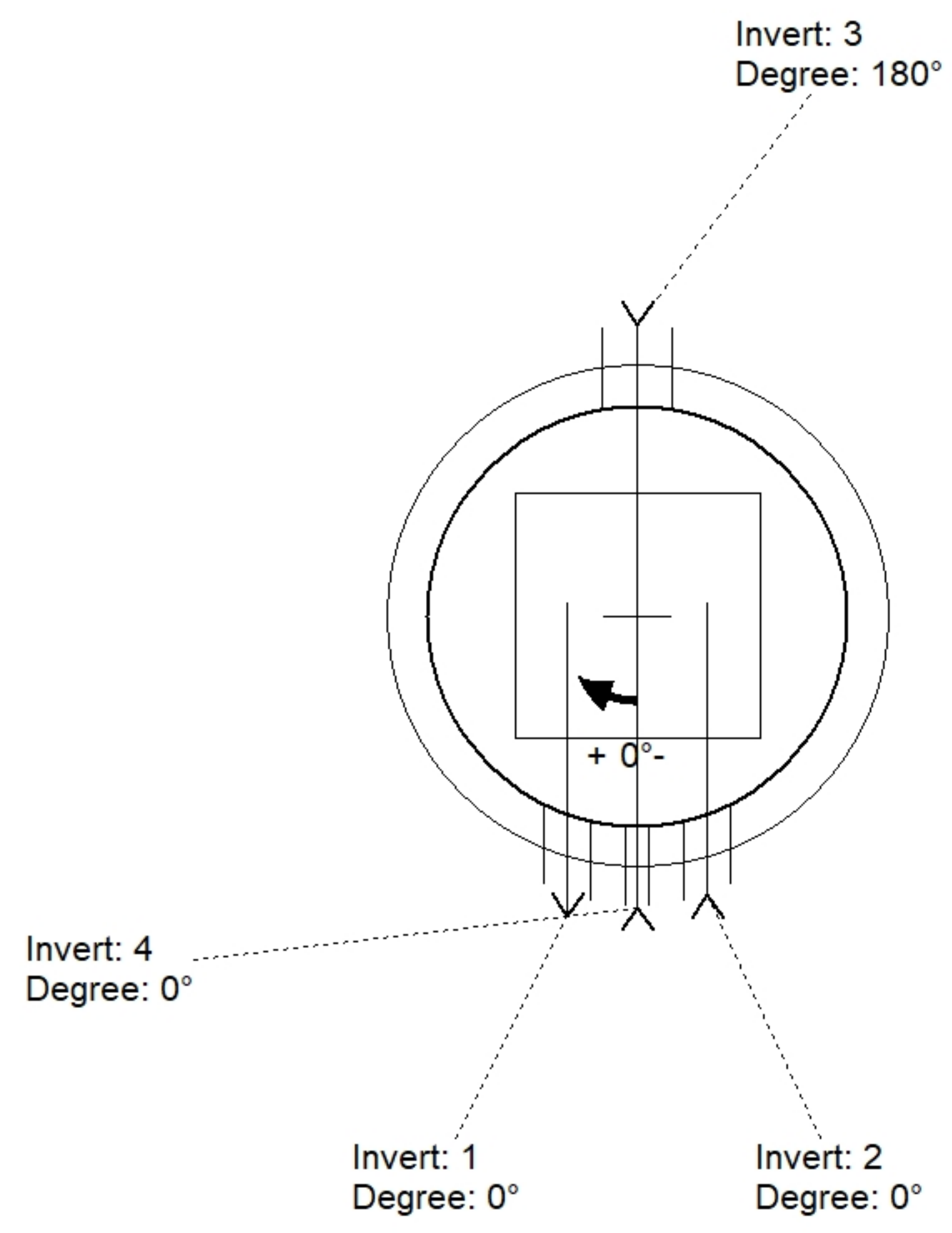
Floor (Bot): 469.5'
 Overall Height: 16'
 Slack: 0"

Structure Notes:

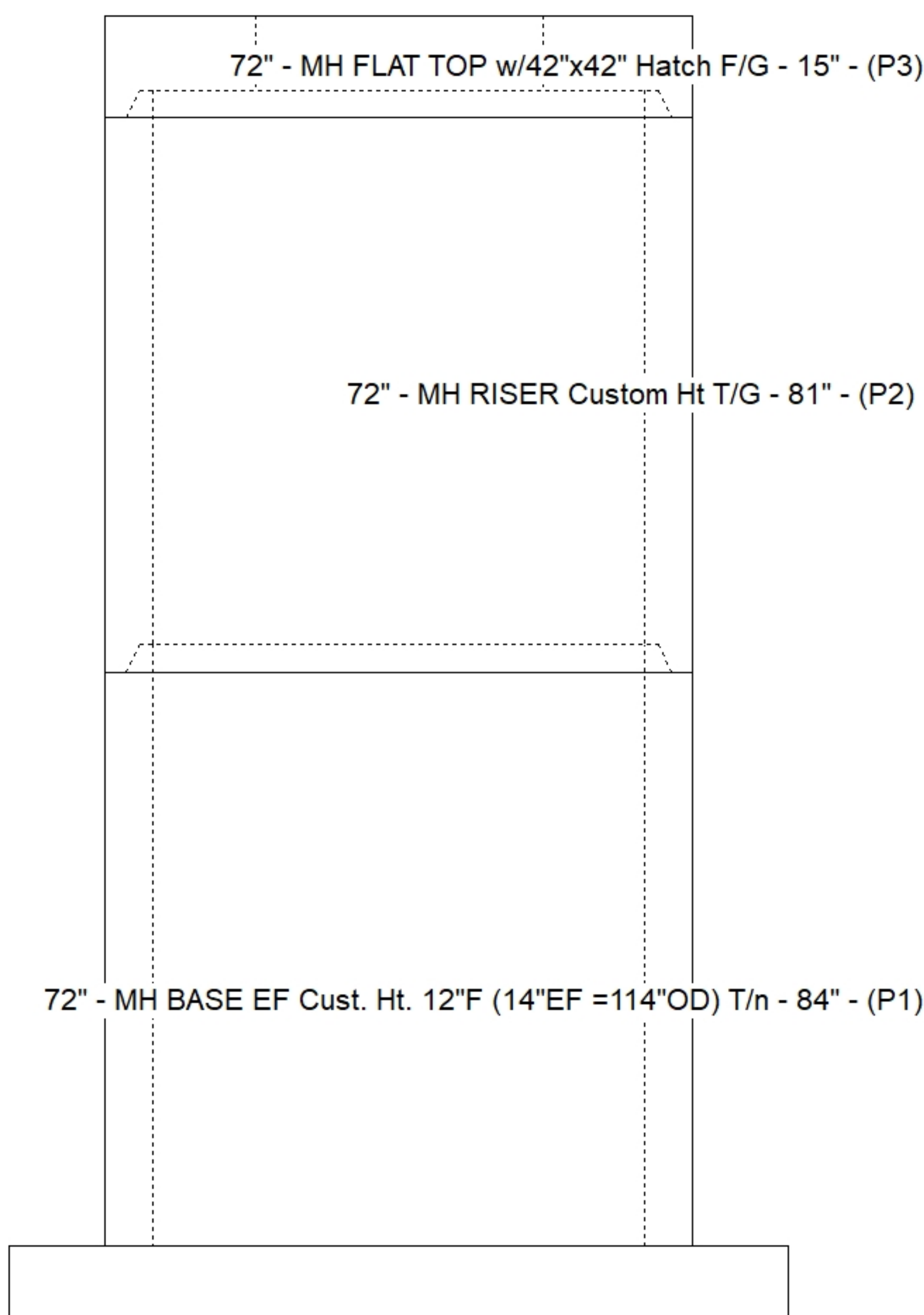
1. PER ASTM C478 SPECIFICATIONS.
2. CONCRETE = 4,000 PSI AT 28 DAYS.
3. HALLIDAY HATCH 42"x42" BY OTHERS
CAST INTO CENTER OF TOP SLAB.
4. REINFORCING PER ASTM A615 (GRADE 60).
- TOP SLAB (As .31)#5 BAR @ 6" O.C.E.W
- RISER/WALLS (As .12)
- FLOOR (As .31) #5 BARS AT 12" C.C.E.W.
5. STRUCTURE TO HAVE TWO EXTERIOR COATS
OF CARBOLINE 300M.
6. LINKS SEALS FOR 4" DI PIPE BY OTHERS

STRUCTURE SUMMARY:

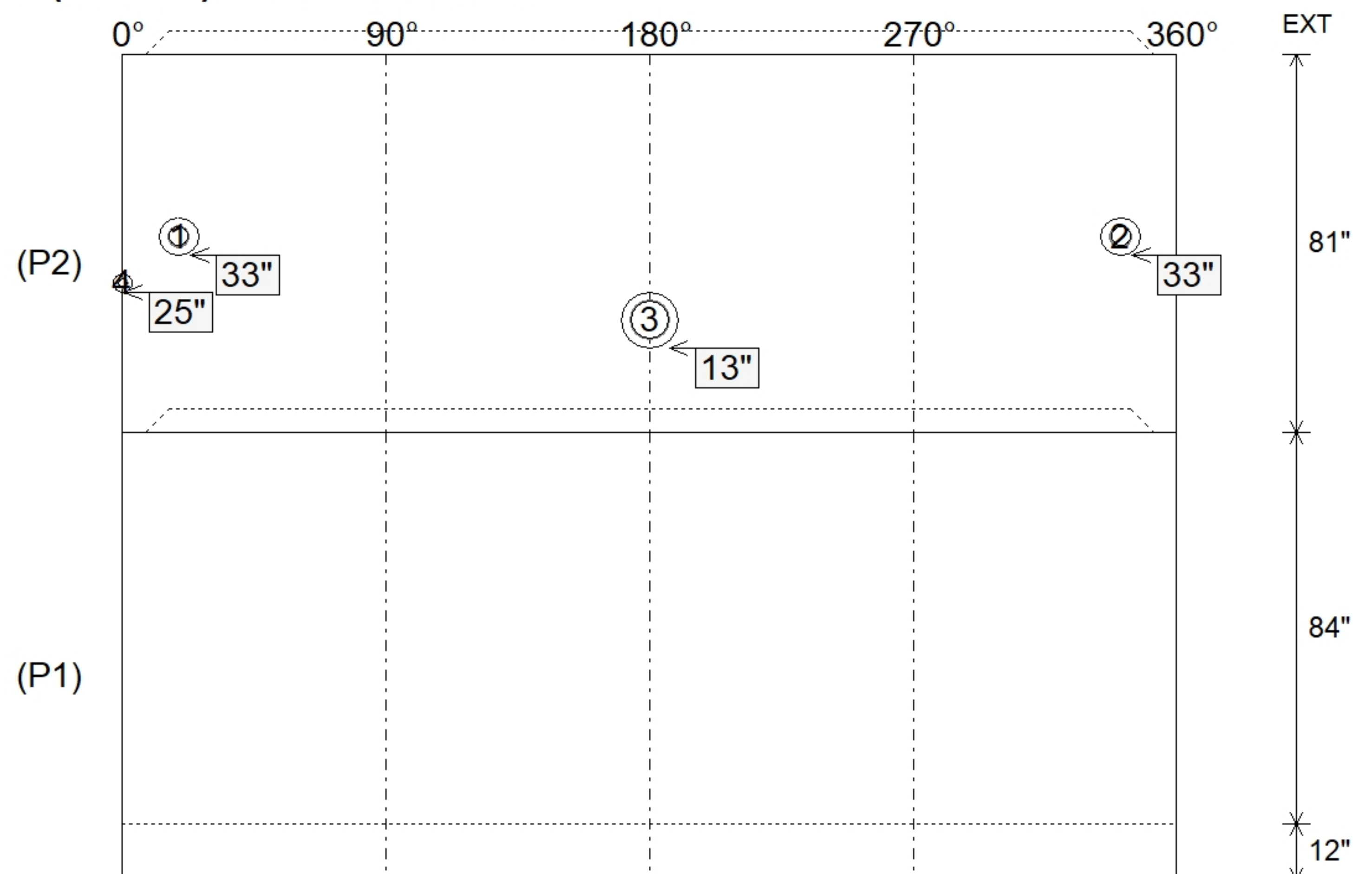
P3)	72" - MH FLAT TOP w/42"x42" Hatch F/G - 15"	5091 lb
P2)	72" - MH RISER Custom Ht T/G - 81"	11672 lb
P1)	72" - MH BASE EF Cust. Ht. 12"F (14"EF =114"OD) T/n - 84"	22523 lb
1)	JOINT WRAP - 12" WD x 072" MAC WRAP	0 lb
1)	This Structure Includes a Cast-in Item	0 lb
1)	SECONDARY POUR	0 lb
2)	72" - Conseal CS-102 1.00" (Double)	0 lb
2)	Hole - 8	0 lb
1)	PSX - 12-08 NYLO	8 lb
1)	Hole - 4	0 lb
	407.91 SqFt) Carboline Bitumastic 300M [EXT]	0 lb
	Structure Total:	39294 lb



Position	Elev	Angle	Pipe	Pipe OD	Hole	Connector	Up (")	Ref
Rim	485.5'							
Reducer								
Invert 1	480.83'	0°	4" DI	4.75"	8"	Hole 8	33"	P2
Invert 2	480.83'	0°	4" DI	4.75"	8"	Hole 8	33"	P2
Invert 3	479.17'	180°	8" PVC SDR35	8.5"	12"	PSX 12-08 NYLO	13"	P2
Invert 4	480.08'	0°	2" PVC SCH40	2.375"	4"	Hole 4	25"	P2
Invert 5								
Invert 6								
Invert 7								
Invert 8								



Cast (Int. Dim.) - Interior Dimensions



Submittal Drawing
 11/18/2025 12:43:34 PM

SUBMITTAL
 APPROVED BY: