

**Job Name: 25-3334 Hickory Industrial Park**  
**Job Location: Hickory, KY**  
**Contractor: Crider Paving & Excavating**

PC: E.Bradley  
 TECH: C.Russ  
 Plant: Beaver Dam



Structure ID: **SSMH-A1**  
 Spec: Sanitary  
 Type: SAN.MH  
 Size: 48"

Rim: 485'  
 Invert: 480'  
 Rim to Invert: 5'

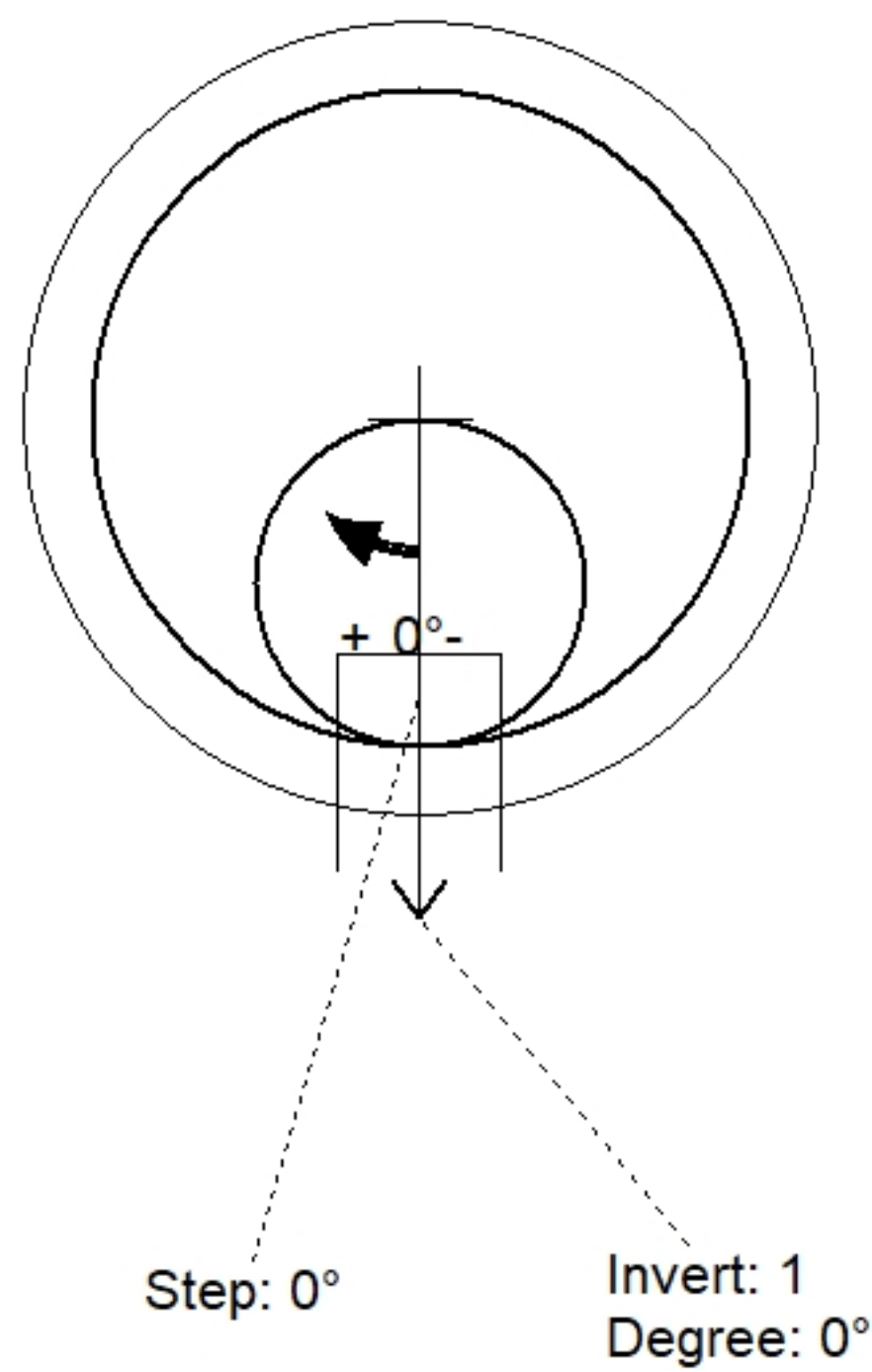
Sump: 2"  
 Floor (Top): 479.833'  
 Floor Height: 6"

Floor (Bot): 479.333'  
 Overall Height: 5.583'  
 Slack: 1"

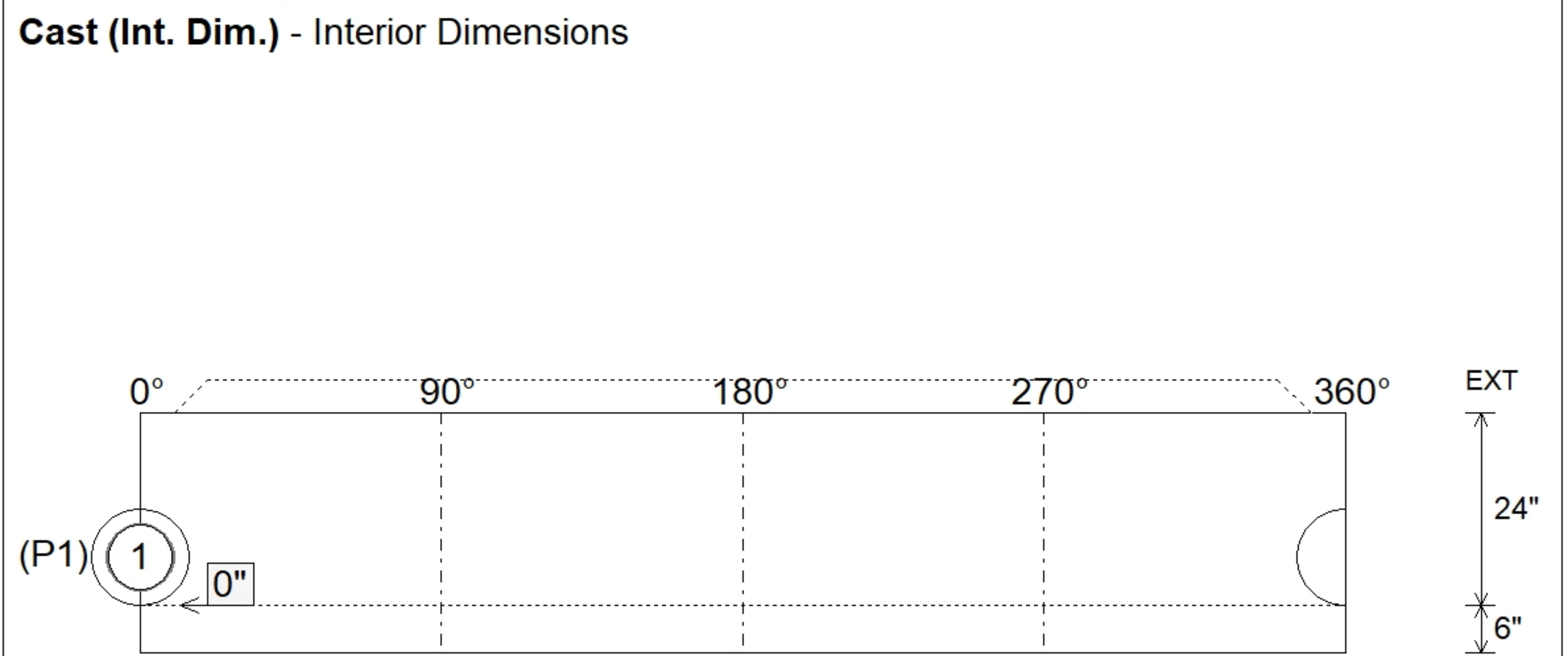
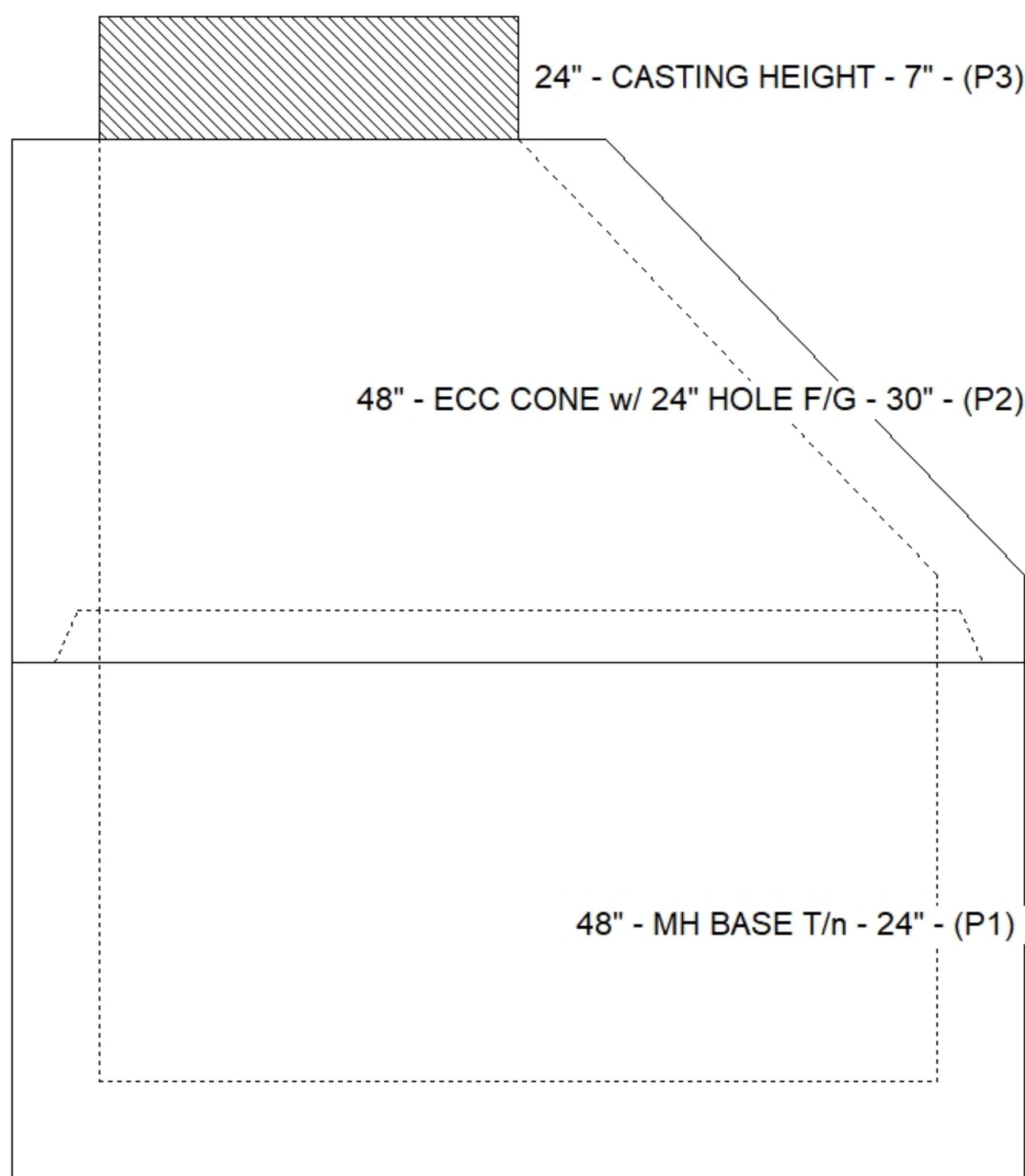
**Structure Notes:**  
 1. PER ASTM C478 SPECIFICATIONS.  
 2. CONCRETE = 4,000 PSI AT 28 DAYS.  
 3. HOE MC-375 F/C "SANITARY" BY ICAST  
 4. REINFORCING PER ASTM A615 (GRADE 60).  
 - CONE (As .12)  
 - RISER/WALLS (As .12)  
 - FLOOR (As .31) #5 BARS AT 12" C.C.E.W.  
 5. STRUCTURE TO HAVE TWO EXTERIOR COATS OF CARBOLINE 300M.

**STRUCTURE SUMMARY:**

P3) 24" - CASTING HEIGHT - 7"	0 lb
P2) 48" - ECC CONE w/ 24" HOLE F/G - 30"	2050 lb
P1) 48" - MH BASE T/n - 24"	2959 lb
1) 48" - MH INVERT CHANNEL - FULL HEIGHT	1440 lb
1) JOINT WRAP PRIMER - CONSEAL CS-75 (1 gal.)	0 lb
1) JOINT WRAP - 0.065"x6"x50' CONSEAL CS212	0 lb
1) 48" - Conseal CS-102 1.00" (Double)	0 lb
1) PSX - 12-08 NYLO	8 lb
4) MH Step ML-10-TDS-NCR - 10"	0 lb
70.39 SqFt) Carboline Bitumastic 300M [EXT]	0 lb
<b>Structure Total:</b>	<b>6457 lb</b>



Position	Elev	Angle	Pipe	Pipe OD	Hole	Connector	Up ( )	Ref
Rim	485'							
Reducer								
Invert 1	480'	0°	8" PVC SDR35	8.5"	12"	PSX 12-08 NYLO	0"	P1
Invert 2								
Invert 3								
Invert 4								
Invert 5								
Invert 6								
Invert 7								
Invert 8								



Submittal Drawing  
 11/18/2025 12:43:33 PM

SUBMITTAL  
 APPROVED BY: