

Job Name: 25-3334 Hickory Industrial Park
Job Location: Hickory, KY
Contractor: Crider Paving & Excavating

PC: E.Bradley
 TECH: C.Russ
 Plant: Beaver Dam



Structure ID: **ARV 1**
 Spec: Sanitary
 Type: Air Release MH
 Size: 48"

Rim: 486'
 Invert: 481'
 Rim to Invert: 5'

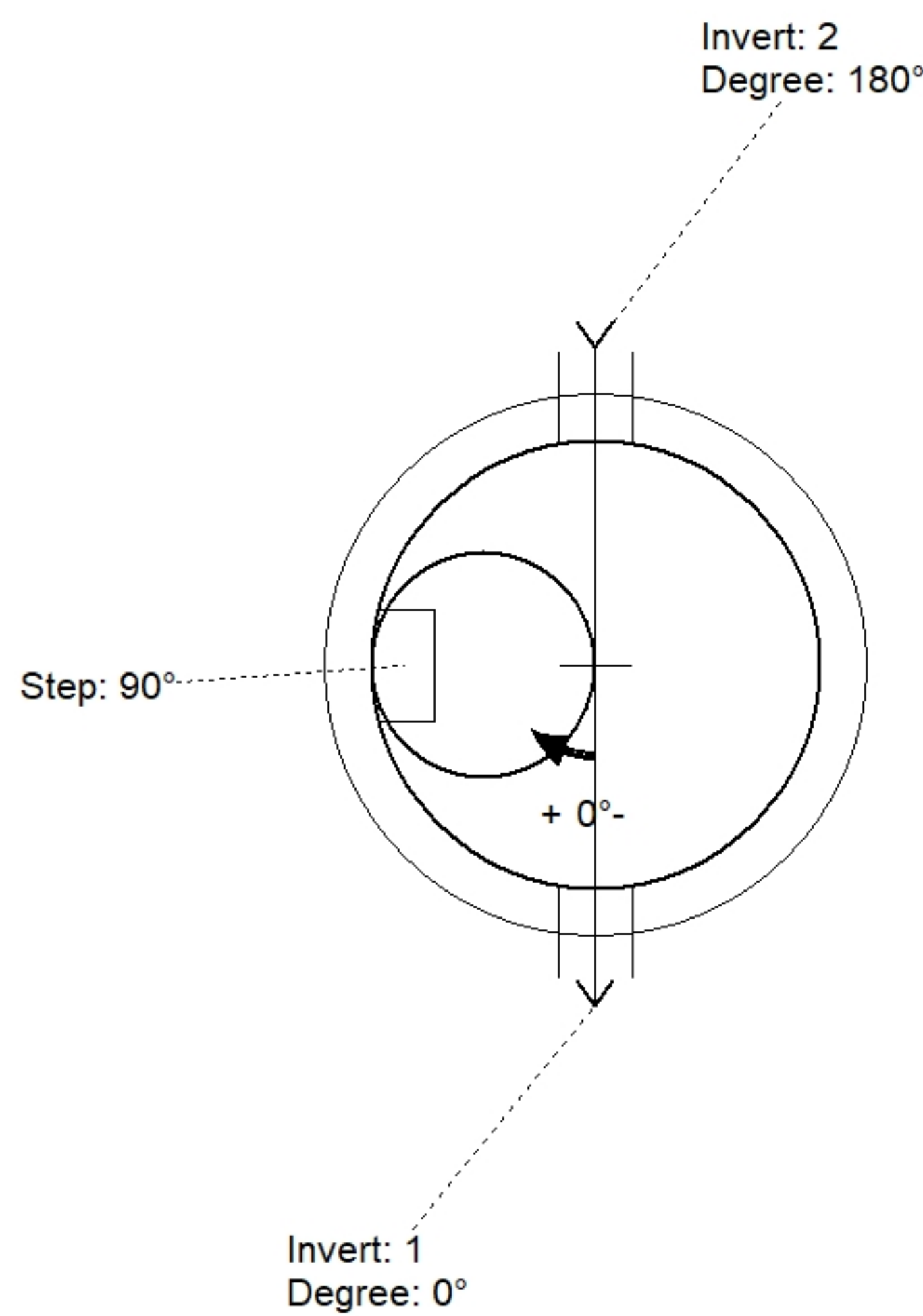
Sump: 0"
 Floor (Top): 480.667'
 Floor Height: 0"

Floor (Bot): 480.667'
 Overall Height: 5.083'
 Slack: 3"

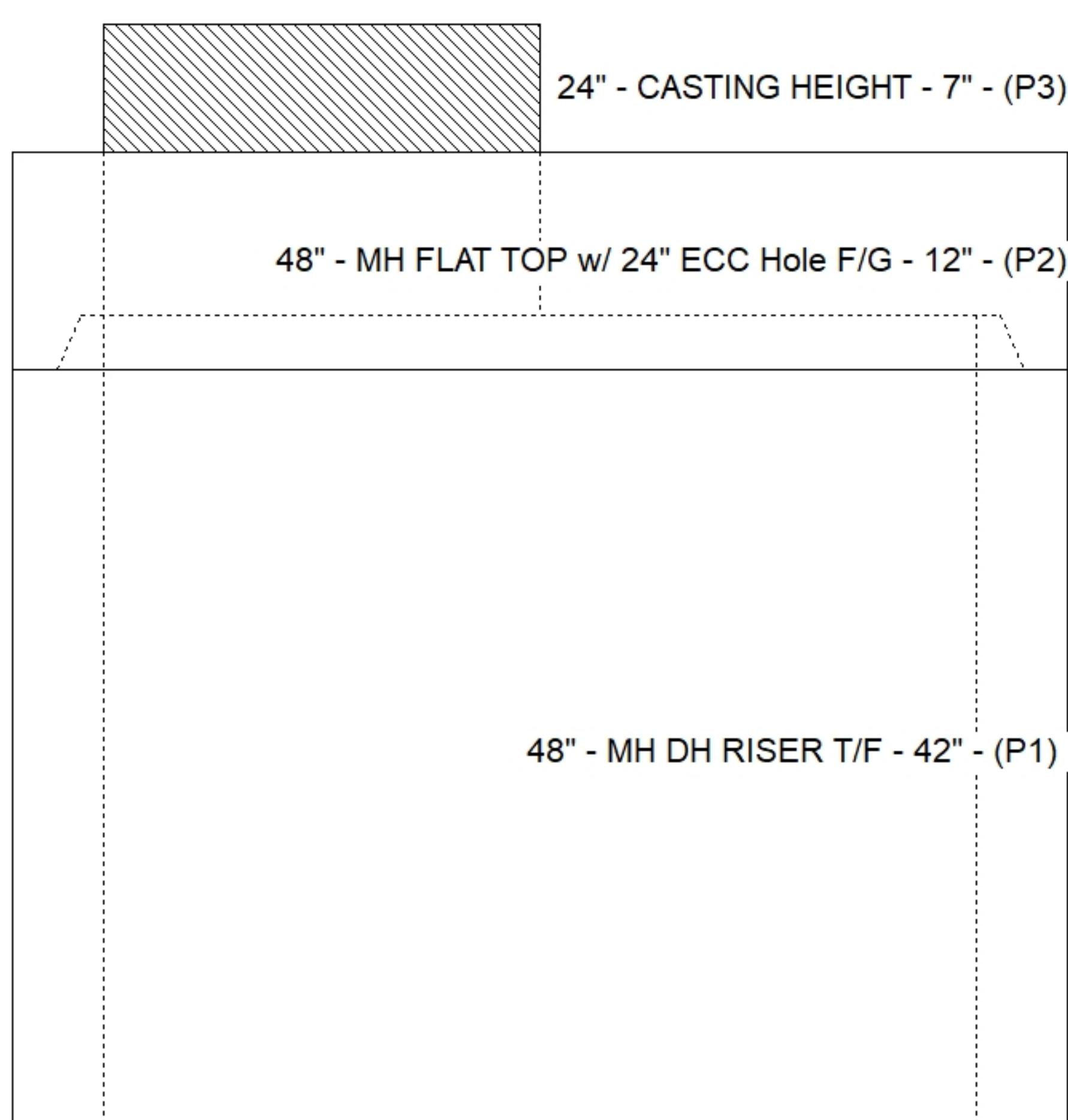
Structure Notes:
 1. PER ASTM C478 SPECIFICATIONS.
 2. CONCRETE = 4,000 PSI AT 28 DAYS.
 3. HOE MC-375 F/C "SANITARY" BY ICAST
 4. REINFORCING PER ASTM A615 (GRADE 60).
 - FLAT LID (As .12)
 - RISER/WALLS (As .12)
 - FLOOR (As .31) #5 BARS AT 12" C.C.E.W.
 5. STRUCTURE TO HAVE TWO EXTERIOR COATS OF CARBOLINE 300M.

STRUCTURE SUMMARY:

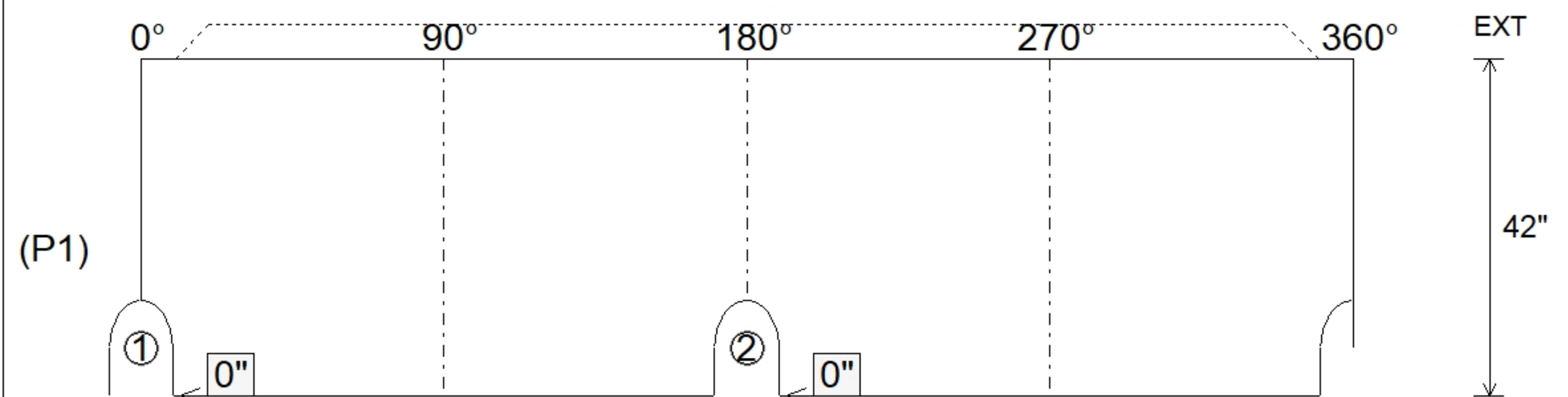
P3) 24" - CASTING HEIGHT - 7"	0 lb
P2) 48" - MH FLAT TOP w/ 24" ECC Hole F/G - 12"	1561 lb
P1) 48" - MH DH RISER T/F - 42"	2862 lb
1) 48" - Conseal CS-102 1.00" (Double)	0 lb
2) DOGHOUSE - 8"x12"	0 lb
4) MH Step ML-10-TDS-NCR - 10" (86.68 SqFt) Carboline Bitumastic 300M [EXT]	0 lb
Structure Total:	4423 lb



Position	Elev	Angle	Pipe	Pipe OD	Hole	Connector	Up ()	Ref
Rim	486'							
Reducer								
Invert 1	481'	0°	4" PVC SDR21	4.375"	8" x 12"	DOGHOUSE 8"x12"	0"	P1
Invert 2	481'	180°	4" PVC SDR21	4.375"	8" x 12"	DOGHOUSE 8"x12"	0"	P1
Invert 3								
Invert 4								
Invert 5								
Invert 6								
Invert 7								
Invert 8								



Cast (Int. Dim.) - Interior Dimensions



Submittal Drawing
 11/18/2025 12:43:35 PM

SUBMITTAL
 APPROVED BY: