

Job Name: 25-3333 Canon Court
 Job Location: Dawson Springs, KY
 Contractor: J & J Excavating

Plant: 100
 11/19/2025 6:26:06 PM

Tech: J. Horsley -F
 PC: A. Chambers



Structure ID: CB 1-1

P1 BX3030-06VH

BOX BASE 6inW, 6inF, Variable Ht F/n

- P2) 30" x 30" - CASTING HEIGHT - 4"
- P1) 30" x 30" - BOX BASE 6inW, 6inF, Variable Ht F/n - 19"
- 1) CASTING - HOE 468 F/G
- 1) 30" x 30" - Conseal CS-102 1.00"
- 1) DOGHOUSE INVRTD - 20"x19"

0 lb
 2095 lb
 489 lb
 0 lb
 0 lb

 Structure Total: 2584 lb

Structure Notes:
 1. PER ASTM C913 SPECIFICATIONS.
 2. CONCRETE = 4,000 PSI AT 28 DAYS.
 3. NO INVERT CHANNEL.
 4. CASTING BY ICAST (HOE 468 F/G).

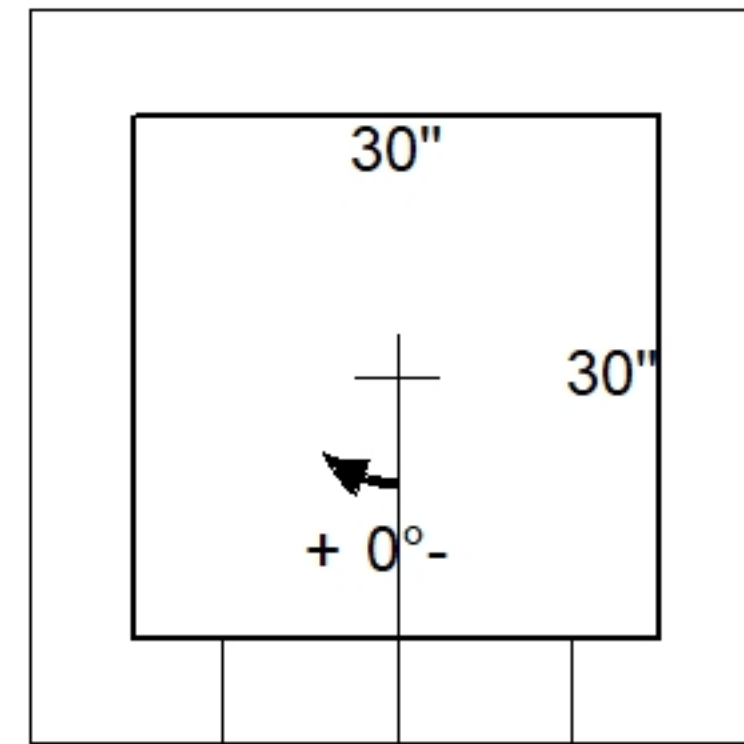
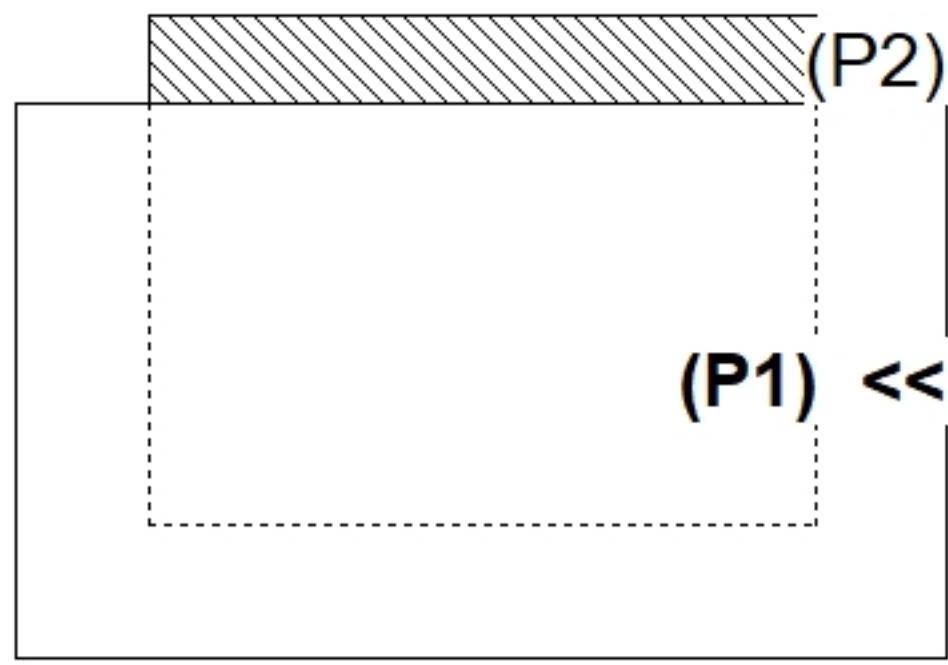
REINFORCING PER ASTM A615 (GRADE 60).
 - WALLS (As .12) #5 BARS AT 12" C.C.E.W.
 - FLOOR (As .12) #5 BARS AT 12" C.C.E.W.

Rim: 407.31' Rim to Invert: 1.86' Slack: 0.62" Sump: 1.3" Step Position:

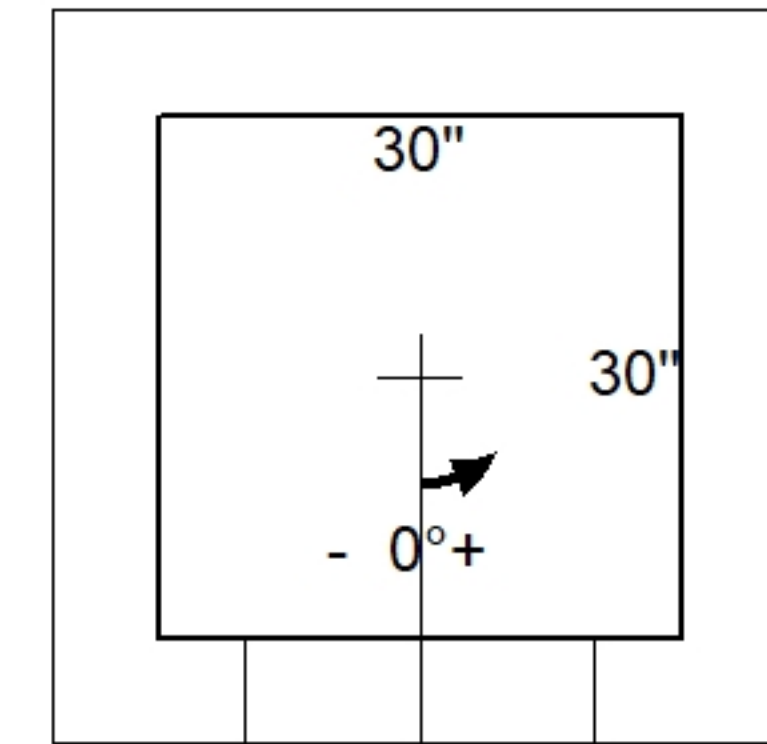
Position	Elev	Angle	Ext. (cw)	Pipe	Pipe OD	Connector	Hole	Horz Size	Up ()	Offset
Invert 1	405.45'	0°	21"	15" HDPE	17.6"	DOGHOUSE INVRTD 20"x19"	20" x 19"	20"	0"	0"
Invert 2										
Invert 3										
Invert 4										
Invert 5										
Invert 6										
Invert 7										
Invert 8										

RIGHT-SIDE UP VIEW (int. dimensions)

UPSIDE-DOWN VIEW (int. dimensions)

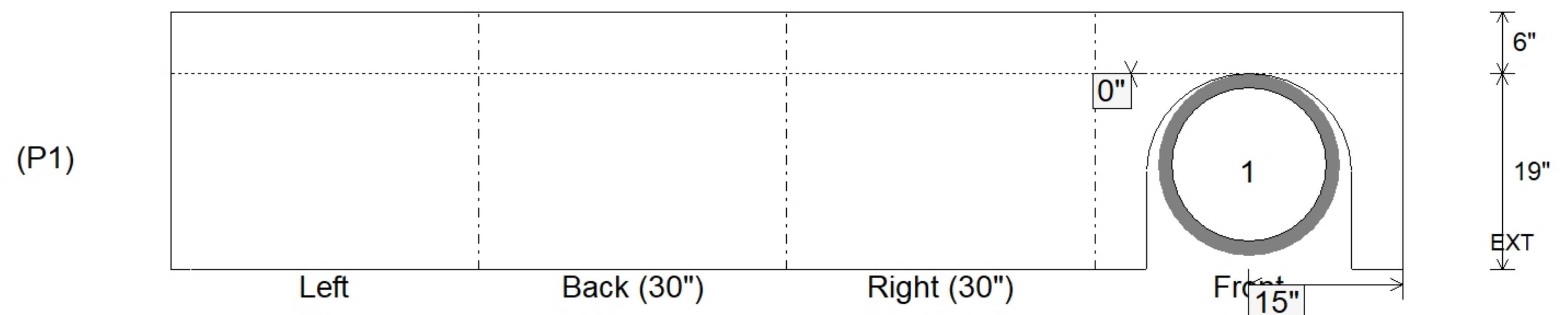


Invert: 1
 Degree: 0°
 Horz: 15"
 Hole: 20" x 19"
 Up(): 0"



Invert: 1
 Degree: 0°
 Horz: 15"
 Hole: 20" x 19"
 Up(): 0"

INSIDE WALL DIMENSIONS



Coating (Int):
 Coating (Ext):

Seam Up: Flat
 Seam Dn: n/a

Wall Thickness: 6"
 Floor Height: 6"

Height (Int): 19"
 Height (Ext): 25"

Weight (Net): 2095 lb
 Volume (Net): 0.54cu.yd