

Job Name: 25-3333 Canon Court
Job Location: Dawson Springs, KY
Contractor: J & J Excavating

PC: A. Chambers
 TECH: J. Horsley -F
 Plant: 100



Structure ID: **CB 1**
 Spec: Storm
 Type: BX 8inW, 8inF
 Size: 36" x 48"

Rim: 407'
 Invert: 403.37'
 Rim to Invert: 3.63'

Sump: 3"
 Floor (Top): 403.12'
 Floor Height: 8"

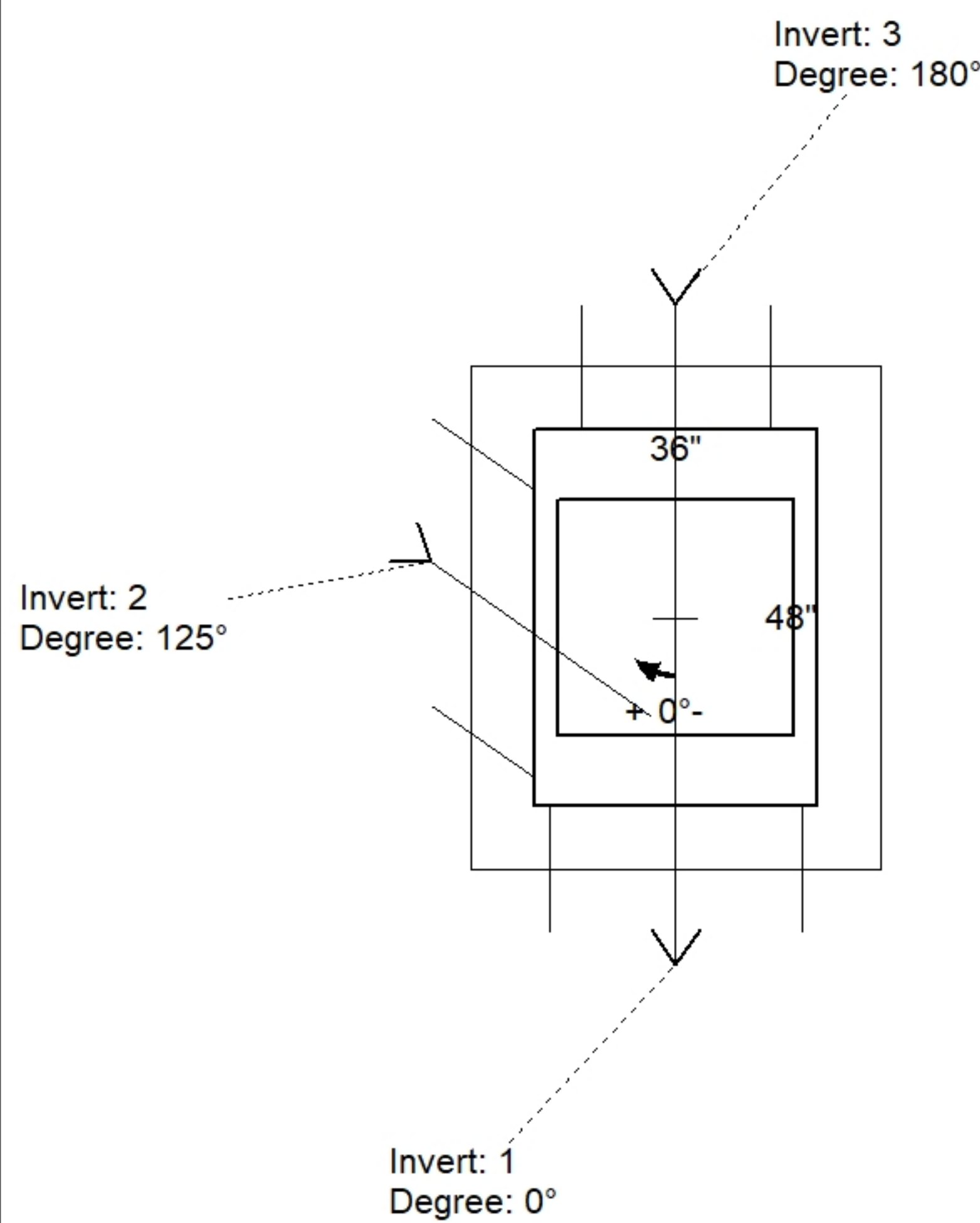
Floor (Bot): 402.453'
 Overall Height: 4.5'
 Slack: 0.56"

Structure Notes:

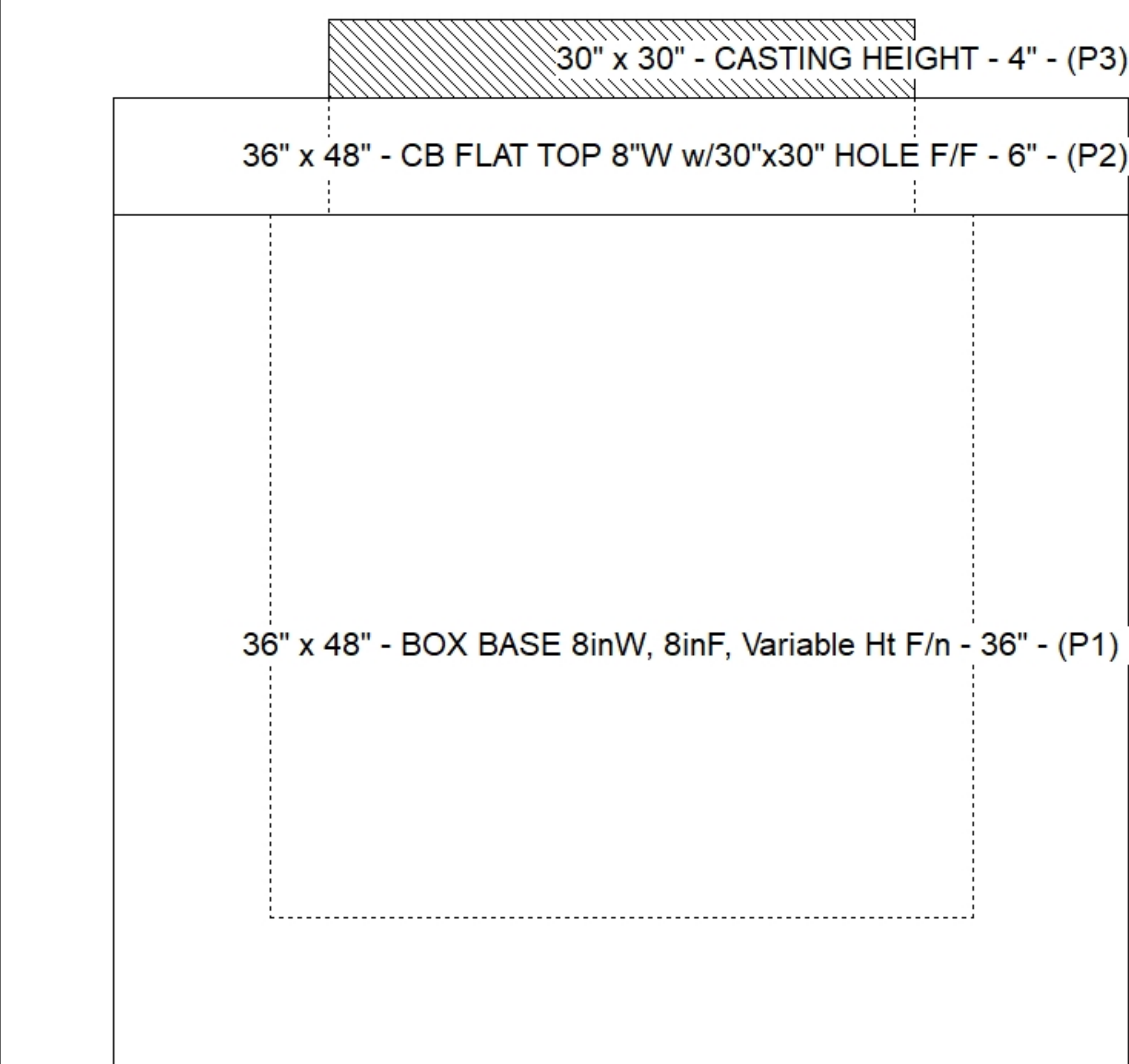
- PER ASTM C913 SPECIFICATIONS.
 - CONCRETE = 4,000 PSI AT 28 DAYS.
 - REINFORCING PER ASTM A615 (GRADE 60).
 - CASTING BY ICAST (HOE 468 F/G).
- REINFORCING PER ASTM A615 (GRADE 60).
 - TOP SLAB = H2O LOADING.
 - WALLS (As .31) #5 BARS AT 12" C.C.E.W.
 - FLOOR (As .31) #5 BARS AT 11" C.C.E.W.

STRUCTURE SUMMARY:

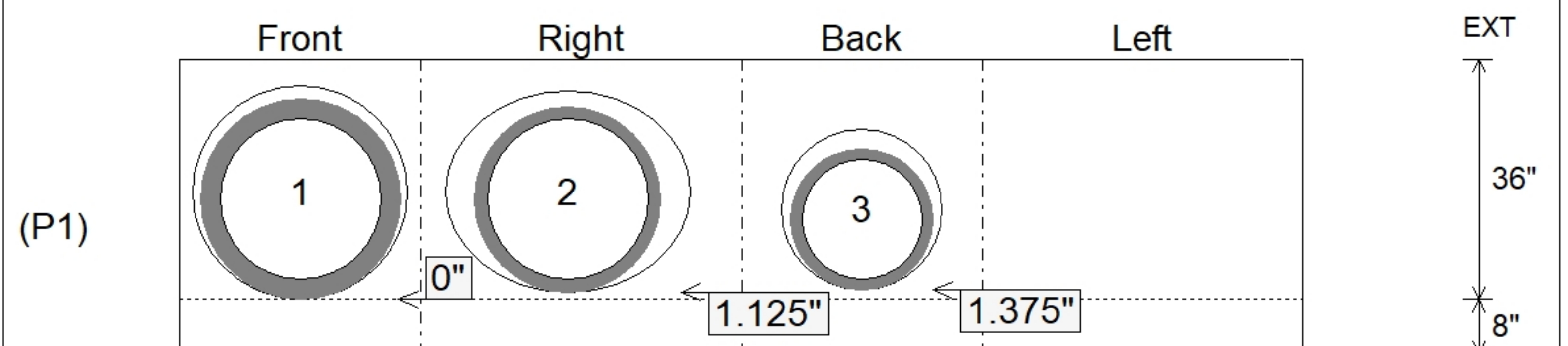
P3) 30" x 30" - CASTING HEIGHT - 4"	0 lb
P2) 36" x 48" - CB FLAT TOP 8"W w/30"x30" HOLE F/F - 6"	1222 lb
P1) 36" x 48" - BOX BASE 8inW, 8inF, Variable Ht F/n - 36"	5645 lb
1) CASTING - HOE 468 F/G	489 lb
1) 36" x 48" - SGL 1"x14.5' Butyl	0 lb
1) Hole - 32	0 lb
1) Hole - 30	0 lb
1) Hole - 24	0 lb
Structure Total:	7356 lb



Position	Elev	Angle	Pipe	Pipe OD	Hole	Connector	Up (")	Ref
Rim	407'							
Reducer								
Invert 1	403.37'	0°	24" RCP B WALL	30"	32"	Hole 32	0"	P1
Invert 2	403.37'	125°	24" HDPE	27.8"	30"	Hole 30	1.125"	P1
Invert 3	403.37'	180°	18" HDPE	21.2"	24"	Hole 24	1.375"	P1
Invert 4								
Invert 5								
Invert 6								
Invert 7								
Invert 8								



Cast (Int. Dim.) - Interior Dimensions



Submittal Drawing
 11/19/2025 6:23:51 PM

SUBMITTAL
 APPROVED BY: