

Job Name: 25-3332 Nelson Co. Industrial Manhole
Job Location: Bardstown, KY
Contractor: Buzick Construction

PC: C.Goff
 TECH: C.Russ
 Plant: Beaver Dam



Structure ID: **SSMH D**
 Spec: Sanitary
 Type: SAN.MH
 Size: 48"

Rim: 731'
 Invert: 715.9'
 Rim to Invert: 15.1'

Sump: 2"
 Floor (Top): 715.733'
 Floor Height: 6"

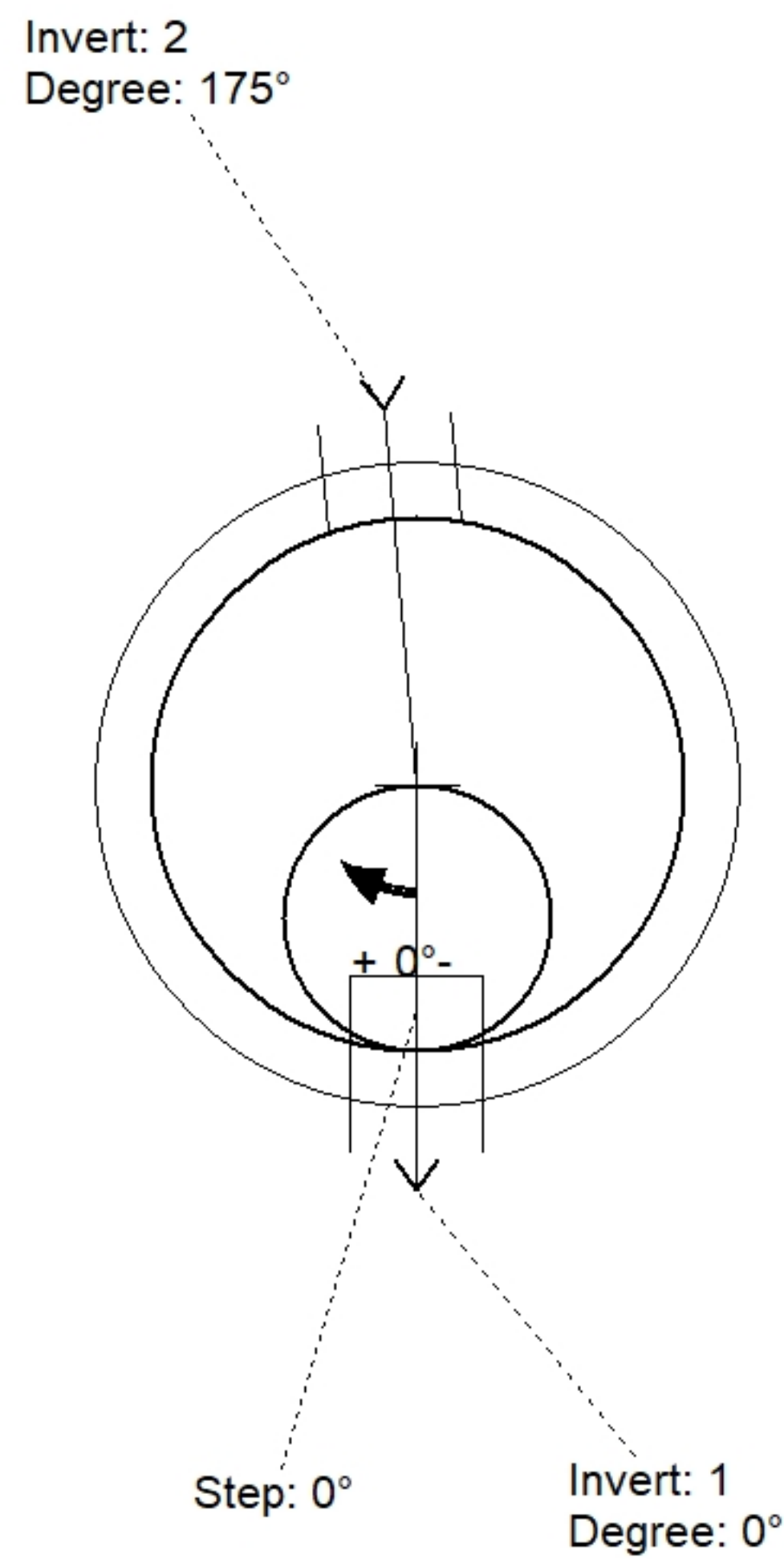
Floor (Bot): 715.233'
 Overall Height: 15.583'
 Slack: 2.2"

Structure Notes:

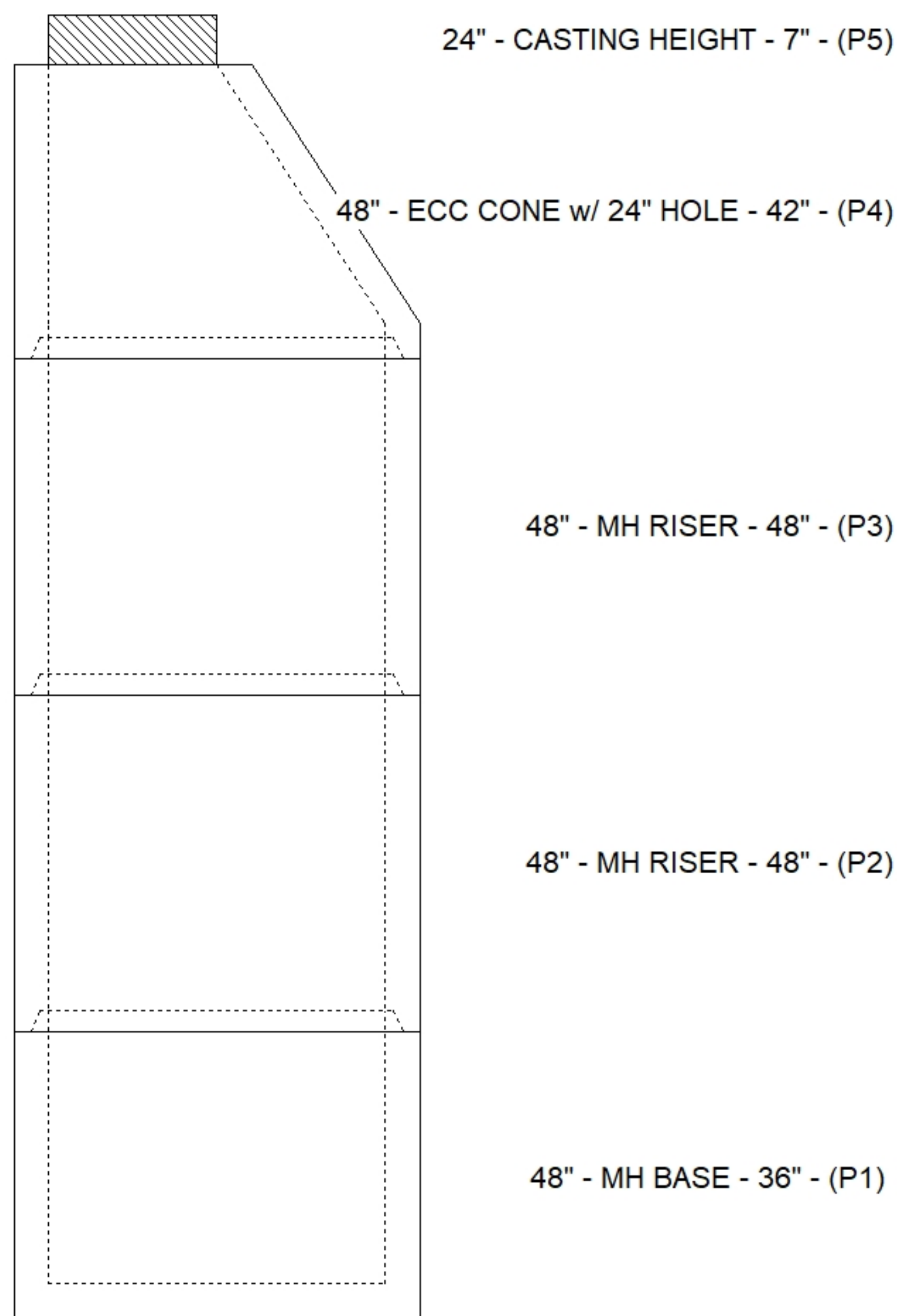
- PER ASTM C478 SPECIFICATIONS.
- CONCRETE = 4,000 PSI AT 28 DAYS..
- HOE MC-375-SS "SANITARY" F/C BY ICAST
- REINFORCING PER ASTM A615 (GRADE 60).
 - CONE (As .12)
 - RISER/WALLS (As .12)
 - FLOOR (As .31) #5 BARS AT 12" C.C.E.W.

STRUCTURE SUMMARY:

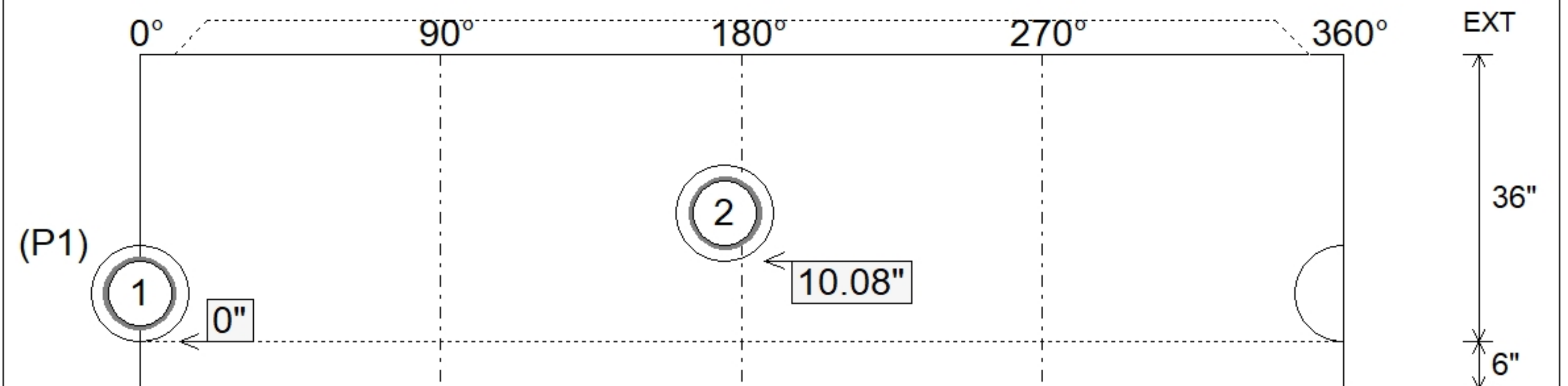
P5) 24" - CASTING HEIGHT - 7"	0 lb
P4) 48" - ECC CONE w/ 24" HOLE - 42"	3200 lb
P3) 48" - MH RISER - 48"	3353 lb
P2) 48" - MH RISER - 48"	3353 lb
P1) 48" - MH BASE - 36"	3749 lb
1) 48" - MH INVERT CHANNEL - FULL HEIGHT	1440 lb
1) JOINT WRAP - 0.065"x6"x50' CONSEAL CS212	0 lb
1) JOINT WRAP PRIMER - CONSEAL CS-75 (1 gal.)	0 lb
3) 48" - DBL 1"x14.5' Butyl (2x)	0 lb
2) PSX - 12M NYLO	16 lb
14) MH Step ML-10-TDS-NCR - 10"	0 lb
Structure Total:	15112 lb



Position	Elev	Angle	Pipe	Pipe OD	Hole	Connector	Up (")	Ref
Rim	731'							
Reducer								
Invert 1	715.9'	0°	8" PVC C900	9.05"	12"	PSX 12M NYLO	0"	P1
Invert 2	716.74'	175°	8" PVC C900	9.05"	12"	PSX 12M NYLO	10.08"	P1
Invert 3								
Invert 4								
Invert 5								
Invert 6								
Invert 7								
Invert 8								



Default - Interior Dimensions



Submittal Drawing
 10/10/2025 8:13:03 AM

SUBMITTAL
 APPROVED BY: