

Job Name: 25-3332 Nelson Co. Industrial Manhole  
 Job Location: Bardstown, KY  
 Contractor: Buzick Construction

Plant: Beaver Dam  
 10/10/2025 8:13:56 AM

Tech: C.Russ  
 PC: C.Goff



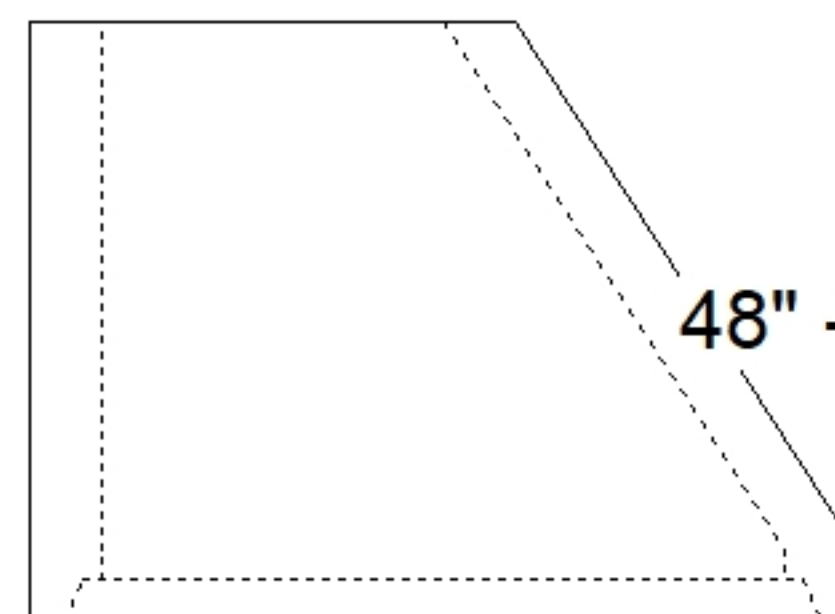
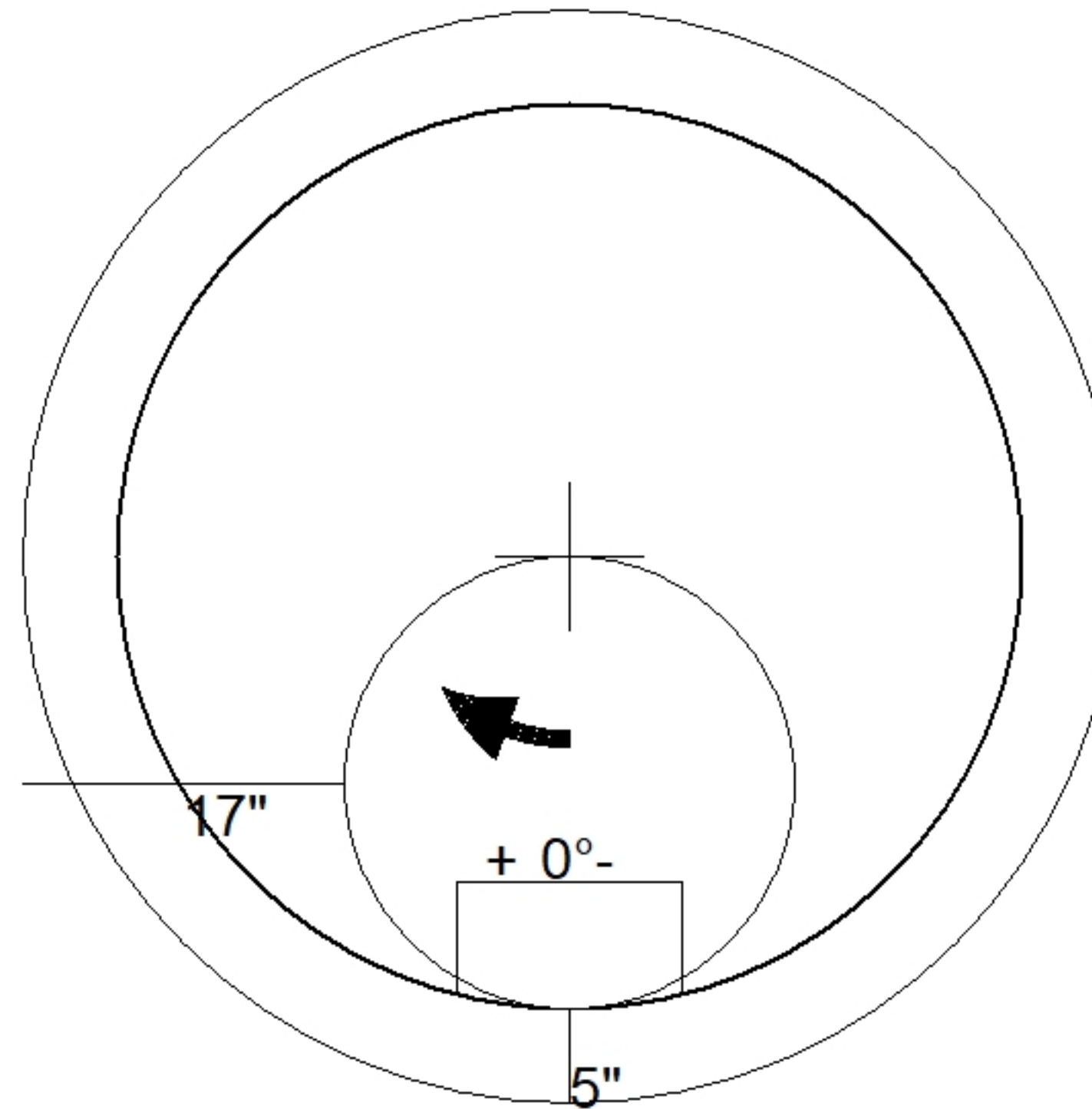
**Structure ID: SSMH D**

**P4 MH048CN42**

**ECC CONE w/ 24" HOLE**

P5) 24" - CASTING HEIGHT - 7"	0 lb
P4) 48" - ECC CONE w/ 24" HOLE - 42"	3200 lb
P3) 48" - MH RISER - 48"	3353 lb
P2) 48" - MH RISER - 48"	3353 lb
P1) 48" - MH BASE - 36"	3749 lb
1) 48" - MH INVERT CHANNEL - FULL HEIGHT	1440 lb
1) JOINT WRAP - 0.065"x6"x50' CONSEAL CS212	0 lb
1) JOINT WRAP PRIMER - CONSEAL CS-75 (1 gal.)	0 lb
3) 48" - DBL 1"x14.5' Butyl (2x)	0 lb
2) PSX - 12M NYLO	16 lb
14) MH Step ML-10-TDS-NCR - 10"	0 lb
	-----
Structure Total:	15112 lb

**Structure Notes:**  
 1. PER ASTM C478 SPECIFICATIONS.  
 2. CONCRETE = 4,000 PSI AT 28 DAYS..  
 3. HOE MC-375-SS "SANITARY" F/C BY ICAST  
 3. REINFORCING PER ASTM A615 (GRADE 60).  
 - CONE (As .12)  
 - RISER/WALLS (As .12)  
 - FLOOR (As .31) #5 BARS AT 12" C.C.E.W.



48" - ECC CONE w/ 24" HOLE - 42" - (P4)

Coating (Int): Coating (Ext):	Seam Up: Flat Seam Dn: Groove	Wall Thickness: 5"	Height (Ext): 42"	Weight (Net): 3200 lb Volume (Net): 0.5cu.yd
----------------------------------	----------------------------------	--------------------	-------------------	---