

Structure ID: SSMH D

P1 MH048BA36

MH BASE

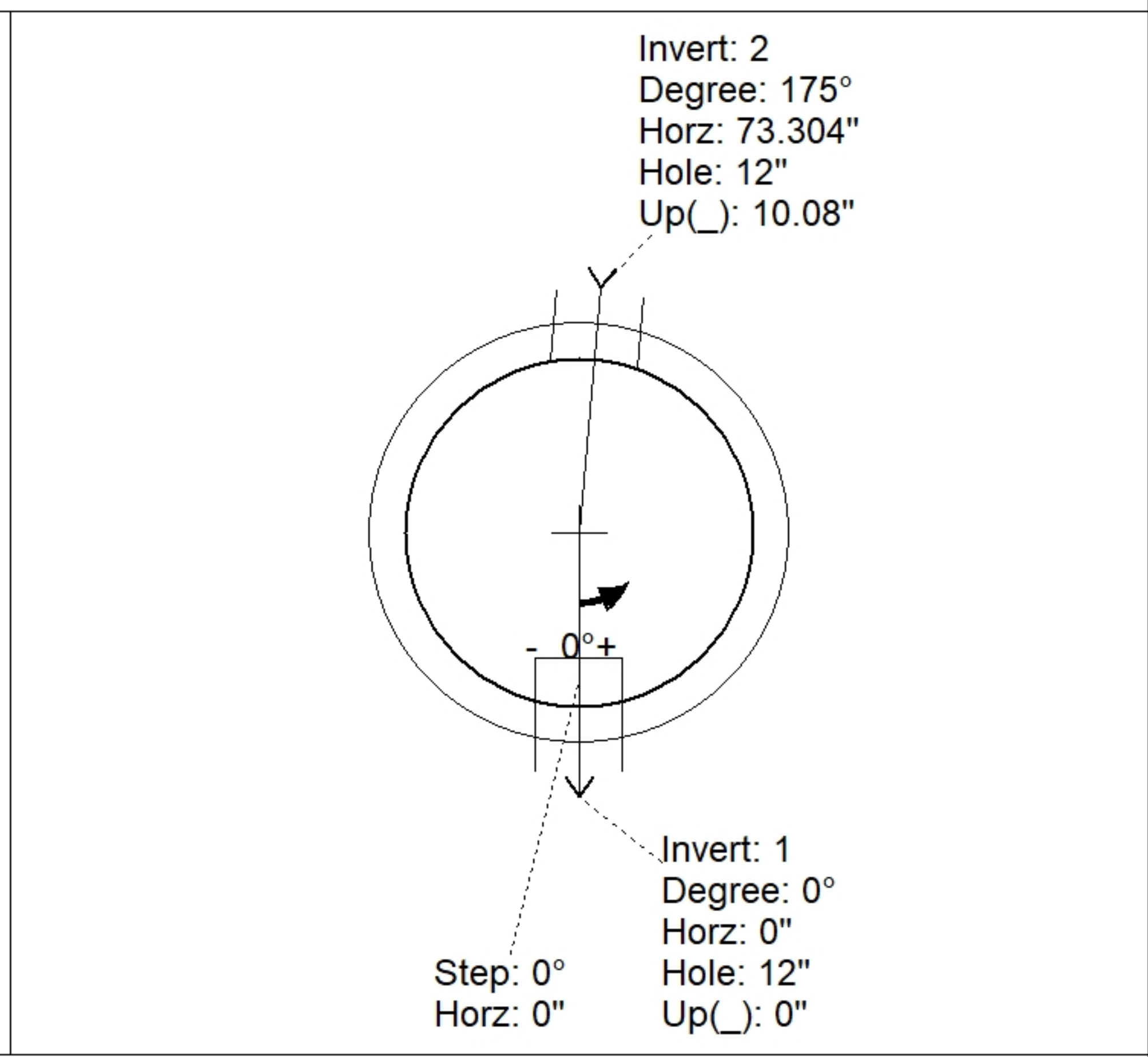
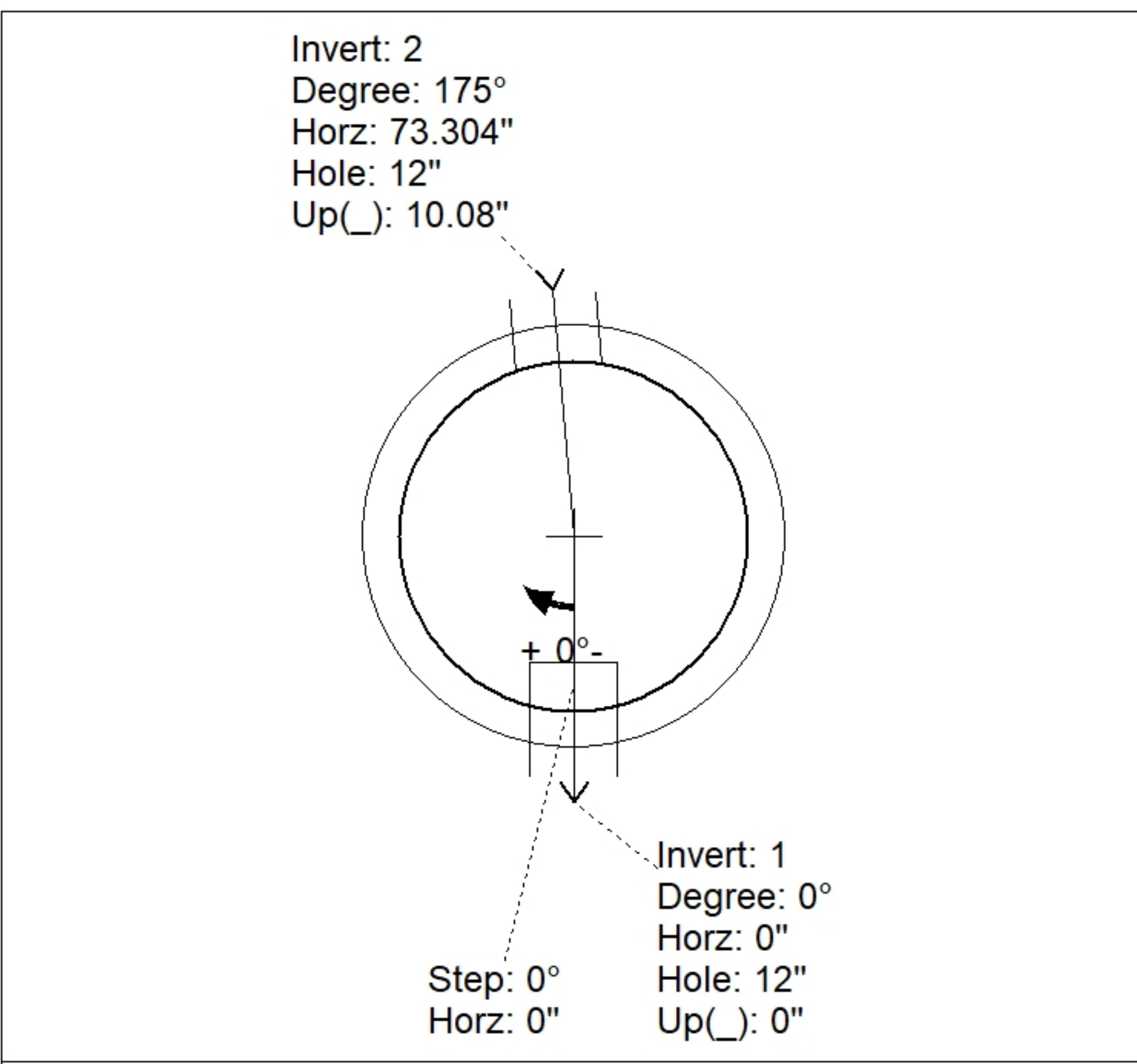
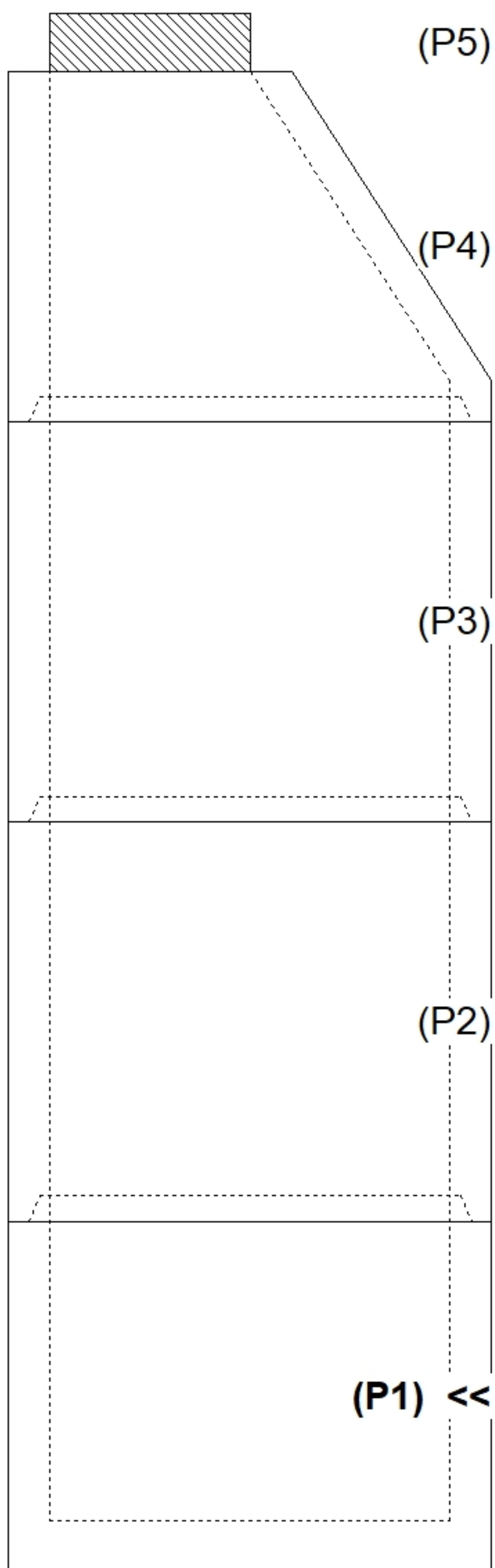
P5) 24" - CASTING HEIGHT - 7" P4) 48" - ECC CONE w/ 24" HOLE - 42" P3) 48" - MH RISER - 48" P2) 48" - MH RISER - 48" P1) 48" - MH BASE - 36" 1) 48" - MH INVERT CHANNEL - FULL HEIGHT 1) JOINT WRAP - 0.065"x6"x50' CONSEAL CS212 1) JOINT WRAP PRIMER - CONSEAL CS-75 (1 gal.) 3) 48" - DBL 1"x14.5' Butyl (2x) 2) PSX - 12M NYLO 14) MH Step ML-10-TDS-NCR - 10"	0 lb 3200 lb 3353 lb 3353 lb 3749 lb 1440 lb 0 lb 0 lb 0 lb 16 lb 0 lb ----- Structure Total: 15112 lb	Structure Notes: 1. PER ASTM C478 SPECIFICATIONS. 2. CONCRETE = 4,000 PSI AT 28 DAYS.. 3. HOE MC-375-SS "SANITARY" F/C BY ICAST 3. REINFORCING PER ASTM A615 (GRADE 60). - CONE (As .12) - RISER/WALLS (As .12) - FLOOR (As .31) #5 BARS AT 12" C.C.E.W.
--	--	--

Rim: 731' Rim to Invert: 15.1' Slack: 2.2" Sump: 2" Step Position: 0°

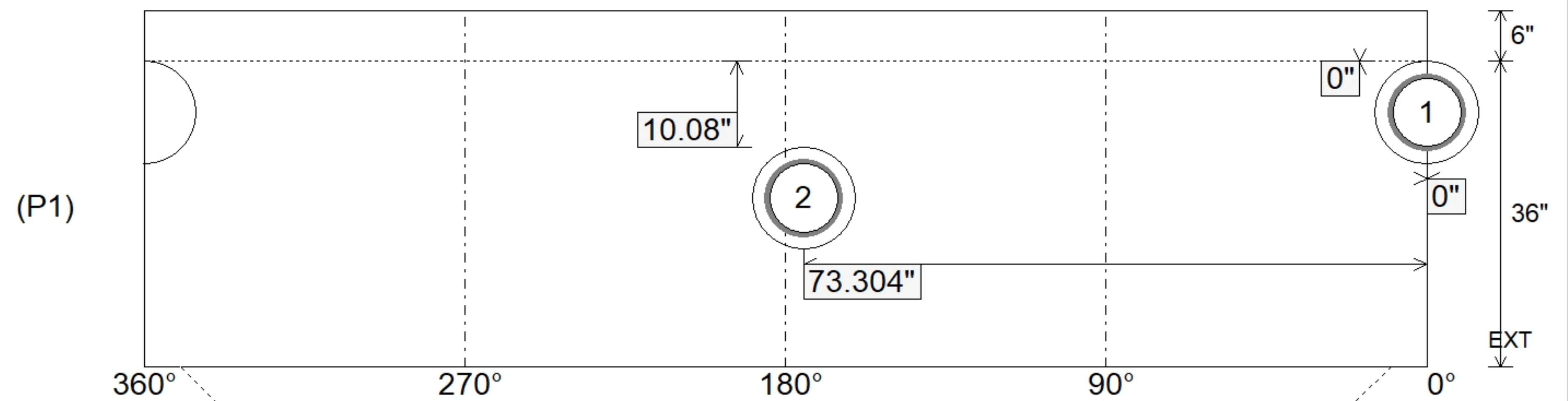
Position	Elev	Angle	Ext. (cw)	Pipe	Pipe OD	Connector	Hole	Horz Size	Up ()	Offset
Invert 1	715.9'	0°	0"	8" PVC C900	9.05"	PSX 12M NYLO	12"	12.129"	0"	0"
Invert 2	716.74'	175°	88.575"	8" PVC C900	9.05"	PSX 12M NYLO	12"	12.129"	10.08"	0"
Invert 3										
Invert 4										
Invert 5										
Invert 6										
Invert 7										
Invert 8										

RIGHT-SIDE UP VIEW (int. dimensions)

UPSIDE-DOWN VIEW (int. dimensions)



INSIDE WALL DIMENSIONS



Coating (Int): Coating (Ext):	Seam Up: Tongue Seam Dn: n/a	Wall Thickness: 5" Floor Height: 6"	Height (Int): 36" Height (Ext): 42"	Weight (Net): 3749 lb Volume (Net): 0.96cu.yd
----------------------------------	---------------------------------	--	--	--