

**Job Name: 25-3332 Nelson Co. Industrial Manhole**  
**Job Location: Bardstown, KY**  
**Contractor: Buzick Construction**

PC: C.Goff  
 TECH: C.Russ  
 Plant: Beaver Dam



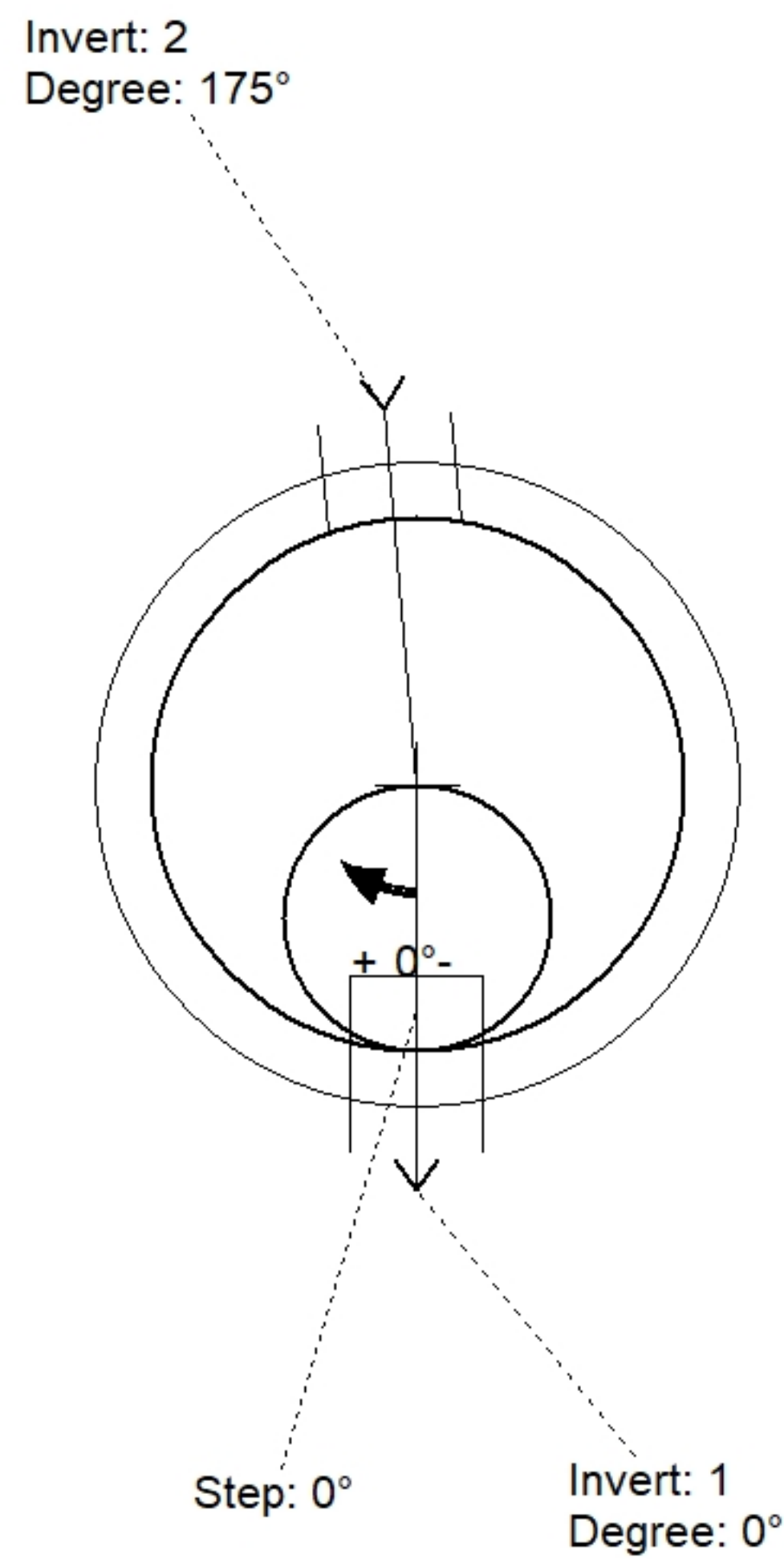
Structure ID: **SSMH D**  
 Spec: Sanitary Rim: 731'  
 Type: SAN.MH Invert: 715.9' Sump: 2"  
 Size: 48" Rim to Invert: 15.1' Floor (Top): 715.733'  
 Floor (Bot): 715.233'  
 Overall Height: 15.583'  
 Slack: 2.2"

**Structure Notes:**

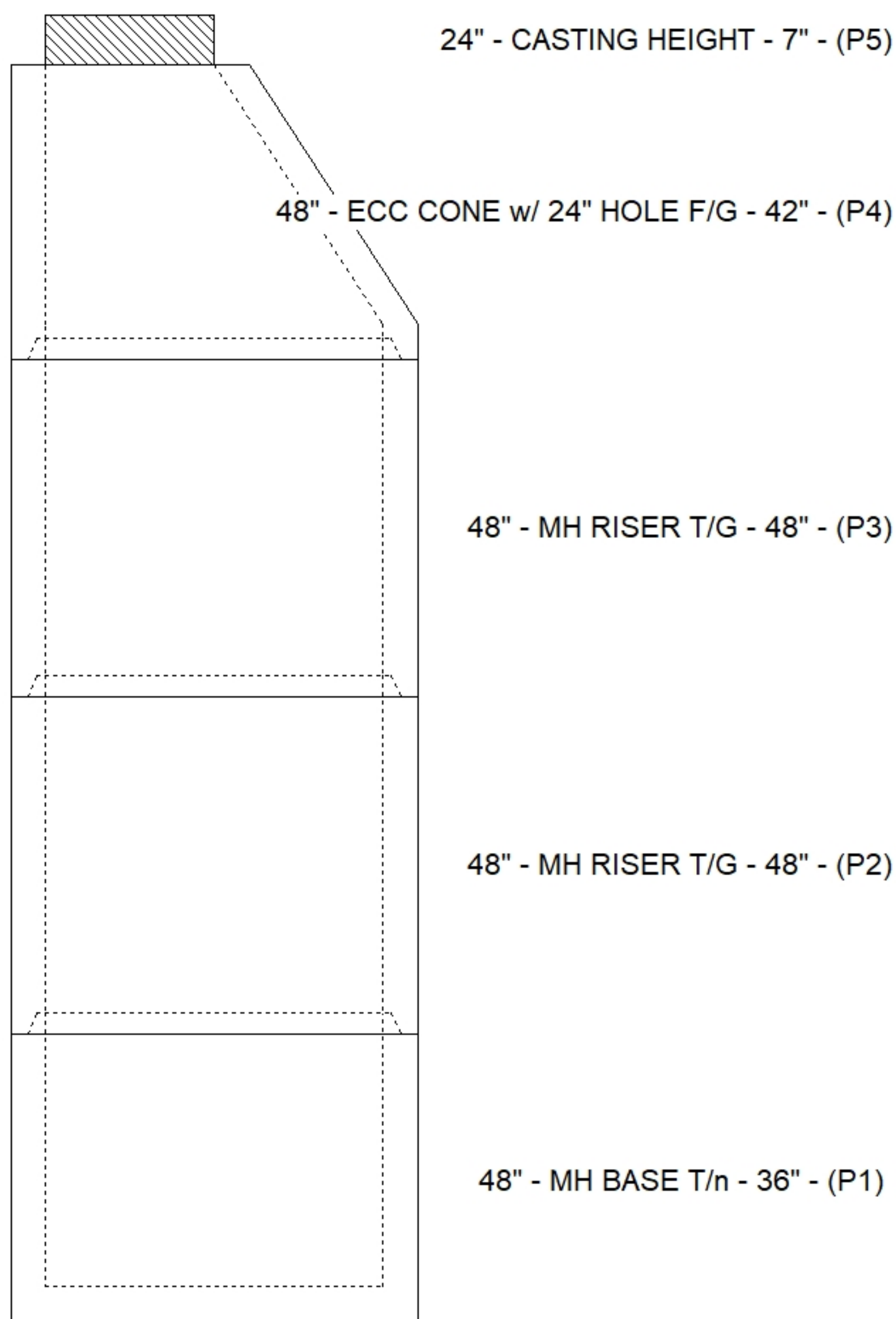
1. PER ASTM C478 SPECIFICATIONS.
2. CONCRETE = 4,000 PSI AT 28 DAYS..
3. HOE MC-375-SS "SANITARY" F/C BY ICAST
3. REINFORCING PER ASTM A615 (GRADE 60).
  - CONE (As .12)
  - RISER/WALLS (As .12)
  - FLOOR (As .31) #5 BARS AT 12" C.C.E.W.

**STRUCTURE SUMMARY:**

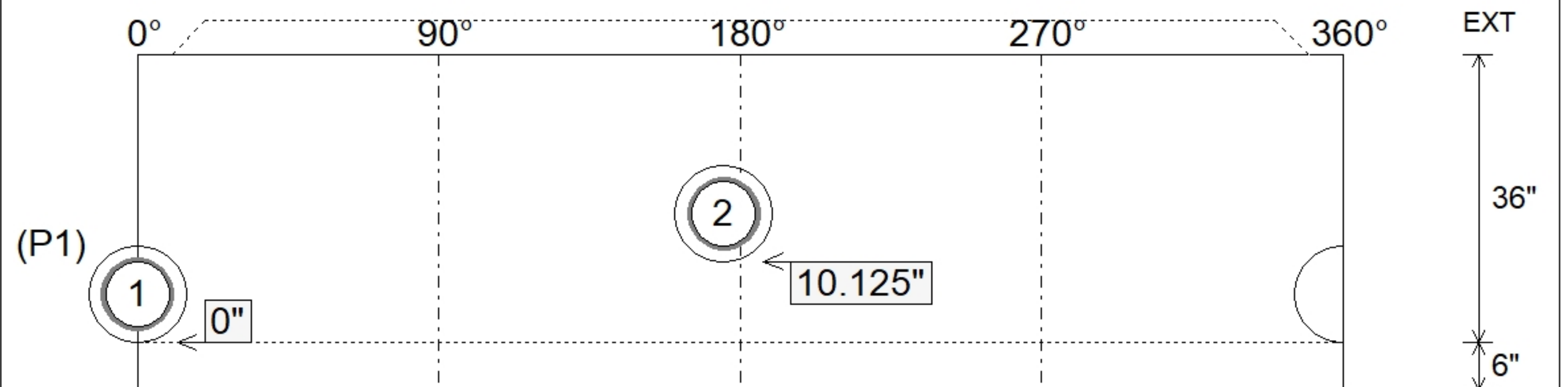
P5) 24" - CASTING HEIGHT - 7"	0 lb
P4) 48" - ECC CONE w/ 24" HOLE F/G - 42"	3200 lb
P3) 48" - MH RISER T/G - 48"	3353 lb
P2) 48" - MH RISER T/G - 48"	3353 lb
P1) 48" - MH BASE T/n - 36"	3749 lb
1) 48" - MH INVERT CHANNEL - FULL HEIGHT	1440 lb
1) JOINT WRAP - 0.065"x6"x50' CONSEAL CS212	0 lb
1) JOINT WRAP PRIMER - CONSEAL CS-75 (1 gal.)	0 lb
3) 48" - DBL 1"x14.5' Butyl (2x)	0 lb
2) PSX - 12M NYLO	16 lb
14) MH Step ML-10-TDS-NCR - 10"	0 lb
<b>Structure Total:</b>	<b>15112 lb</b>



Position	Elev	Angle	Pipe	Pipe OD	Hole	Connector	Up (")	Ref
Rim	731'							
Reducer								
Invert 1	715.9'	0°	8" PVC C900	9.05"	12"	PSX 12M NYLO	0"	P1
Invert 2	716.74'	175°	8" PVC C900	9.05"	12"	PSX 12M NYLO	10.125"	P1
Invert 3								
Invert 4								
Invert 5								
Invert 6								
Invert 7								
Invert 8								



**Cast (Int. Dim.) - Interior Dimensions**



Submittal Drawing  
 10/10/2025 3:20:58 PM

SUBMITTAL  
 APPROVED BY: