

Job Name: 25-3326 Chappell's Dairy Road Sewer Extension
Job Location: Somerset, KY
Contractor: City of Somerset Wastewater

PC: J. Jarvis
 TECH: J. Horsley
 Plant: 100



Structure ID: **MH-3**
 Spec: Sanitary
 Type: SAN.MH
 Size: 48"

Rim: 1023'
 Invert: 1017.5'
 Rim to Invert: 5.5'

Sump: 2"
 Floor (Top): 1017.333'
 Floor Height: 6"

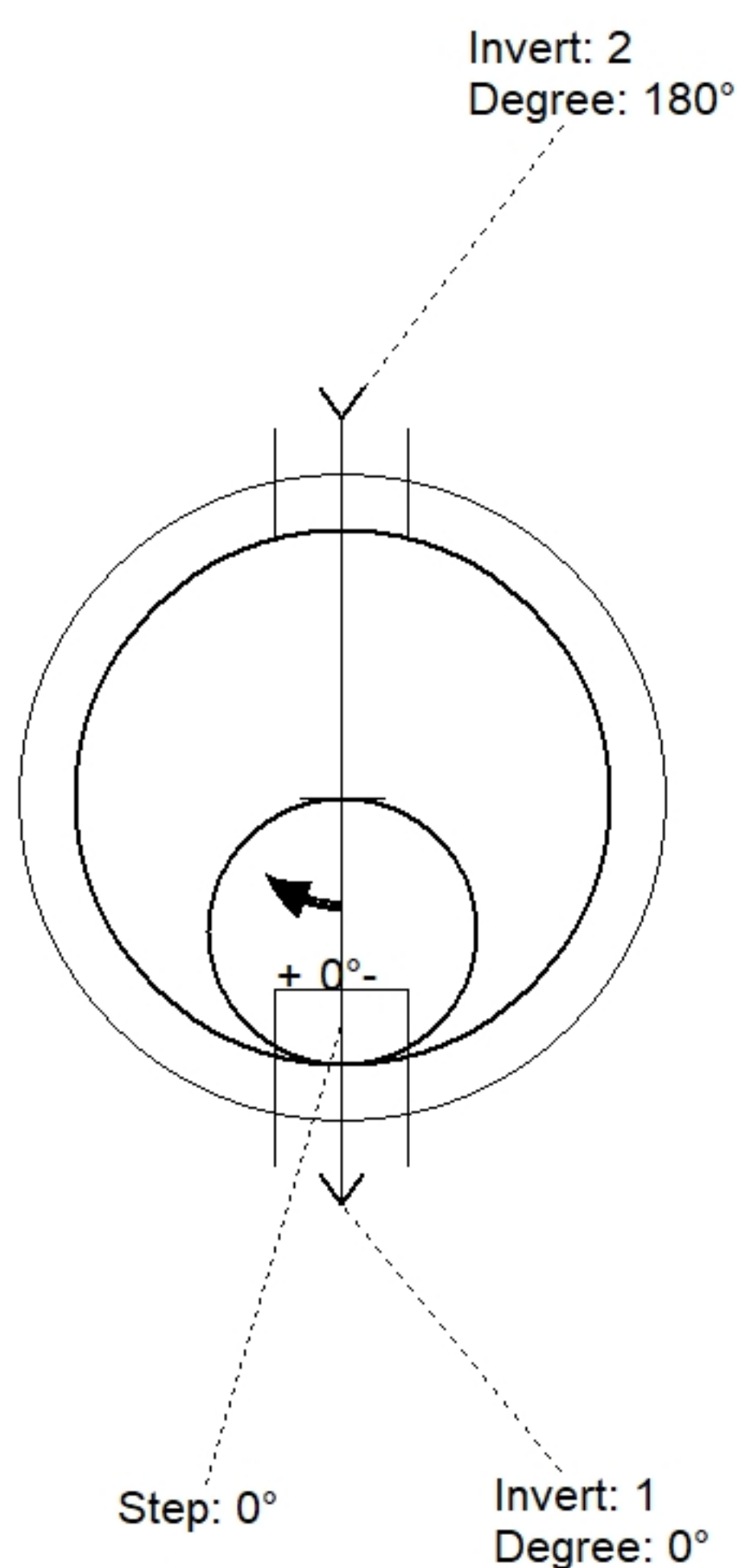
Floor (Bot): 1016.833'
 Overall Height: 6.083'
 Slack: 1"

Structure Notes:

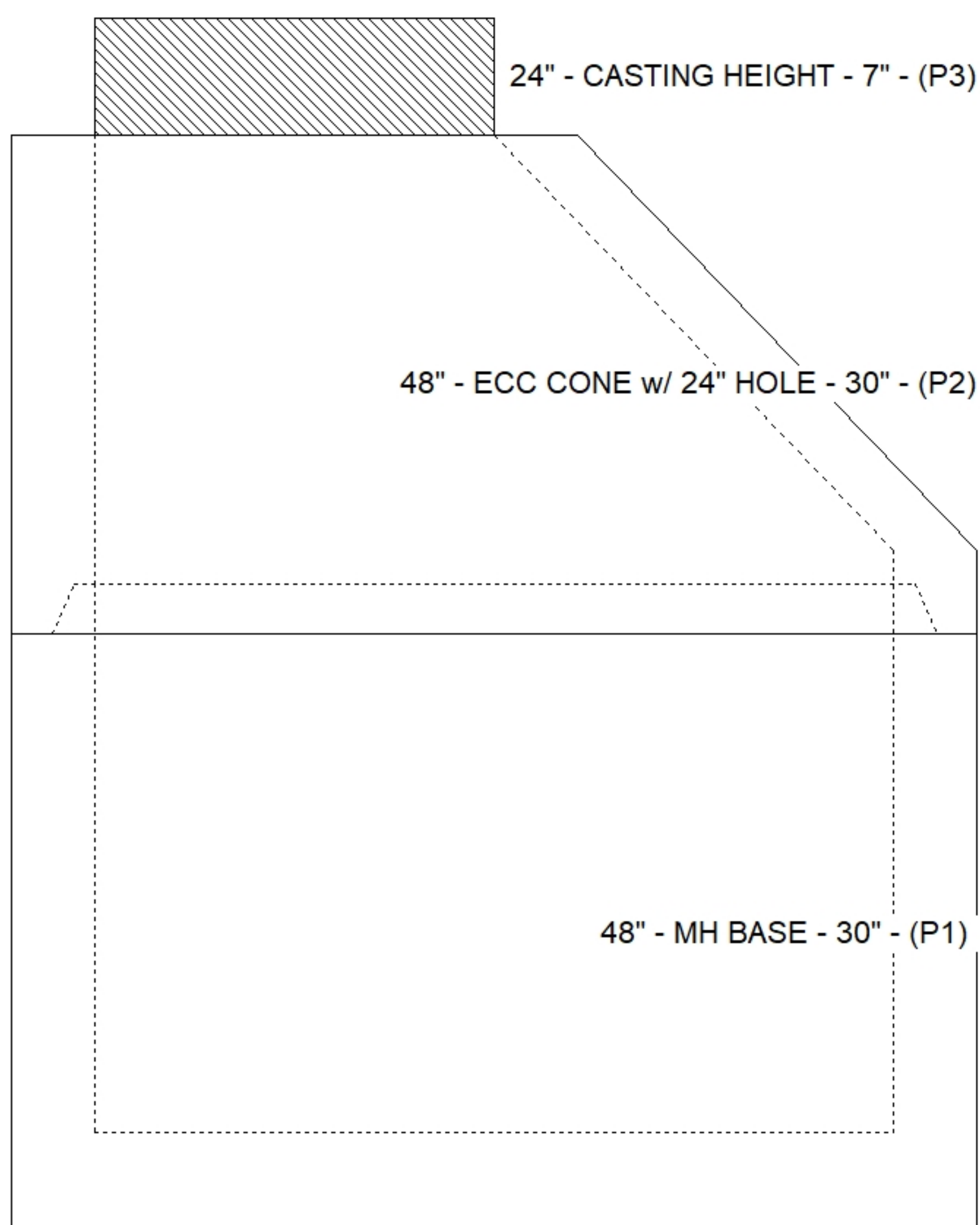
1. PER ASTM C478 SPECIFICATIONS.
2. CONCRETE = 4,000 PSI AT 28 DAYS.
3. REINFORCING PER ASTM A615 (GRADE 60).
4. CASTING BY ICAST (HOE MC-350 F/C)
 - CONE (As .12)
 - RISER/WALLS (As .12)
 - FLOOR (As .31) #5 BARS AT 12" C.C.E.W.

STRUCTURE SUMMARY:

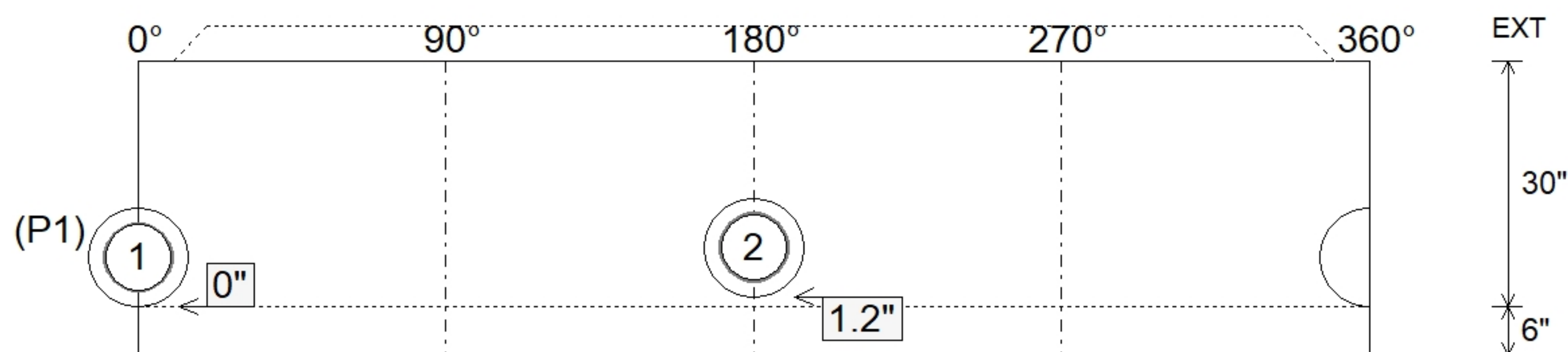
| | |
|---|----------------|
| P3) 24" - CASTING HEIGHT - 7" | 0 lb |
| P2) 48" - ECC CONE w/ 24" HOLE - 30" | 2050 lb |
| P1) 48" - MH BASE - 30" | 3330 lb |
| 1) JOINT WRAP - 0.065"x6"x50' CONSEAL CS212 | 0 lb |
| 1) 48" - MH INVERT CHANNEL - FULL HEIGHT | 1440 lb |
| 1) CASTING - HOE MC-350 F/C Sanitary | 305 lb |
| 1) 48" - Con Seal CS-102 1.00" (Double) | 0 lb |
| 2) PSX - 12-08 NYLO | 16 lb |
| 5) MH Step ML-10-TDS-NCR - 10" | 0 lb |
| Structure Total: | 7141 lb |



| Position | Elev | Angle | Pipe | Pipe OD | Hole | Connector | Up (") | Ref |
|----------|---------|-------|--------------|---------|------|----------------|--------|-----|
| Rim | 1023' | | | | | | | |
| Reducer | | | | | | | | |
| Invert 1 | 1017.5' | 0° | 8" PVC SDR35 | 8.5" | 12" | PSX 12-08 NYLO | 0" | P1 |
| Invert 2 | 1017.6' | 180° | 8" PVC SDR35 | 8.5" | 12" | PSX 12-08 NYLO | 1.2" | P1 |
| Invert 3 | | | | | | | | |
| Invert 4 | | | | | | | | |
| Invert 5 | | | | | | | | |
| Invert 6 | | | | | | | | |
| Invert 7 | | | | | | | | |
| Invert 8 | | | | | | | | |



Default - Interior Dimensions



Submittal Drawing
 10/14/2025 8:26:38 AM

SUBMITTAL
 APPROVED BY: