

Job Name: 25-3326 Chappell's Dairy Road Sewer Extension
 Job Location: Somerset, KY
 Contractor: City of Somerset Wastewater

Plant: 100
 9/25/2025 4:27:22 PM

Tech: J. Horsley
 PC: J. Jarvis



Structure ID: MH-3

P1 MH048BA30

MH BASE T/n

| | |
|---|----------------|
| P3) 24" - CASTING HEIGHT - 7" | 0 lb |
| P2) 48" - ECC CONE w/ 24" HOLE F/G - 30" | 2050 lb |
| P1) 48" - MH BASE T/n - 30" | 3330 lb |
| 1) JOINT WRAP - 0.065"x6"x50' CONSEAL CS212 | 0 lb |
| 1) 48" - MH INVERT CHANNEL - FULL HEIGHT | 1440 lb |
| 1) JOINT WRAP PRIMER - CONSEAL CS-75 (1 gal.) | 0 lb |
| 1) CASTING - HOE MC-350 F/C Sanitary | 305 lb |
| 1) 48" - Conseal CS-102 1.00" (Double) | 0 lb |
| 2) PSX - 12-08 NYLO | 16 lb |
| 5) MH Step ML-10-TDS-NCR - 10" | 0 lb |
| Structure Total: | 7141 lb |

Structure Notes:
 1. PER ASTM C478 SPECIFICATIONS.
 2. CONCRETE = 4,000 PSI AT 28 DAYS.
 4. CASTING BY ICAST (HOE MC-350 "SANITARY" F/C)

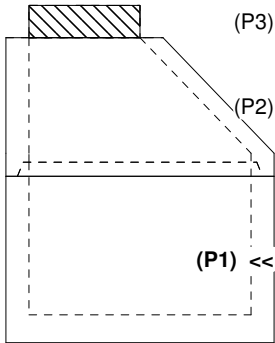
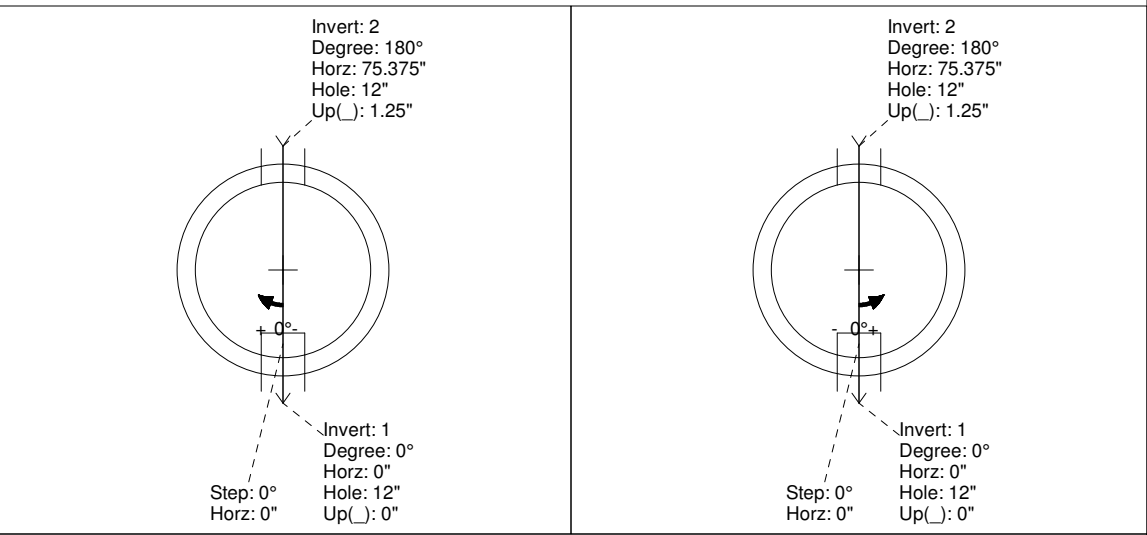
REINFORCING PER ASTM A615 (GRADE 60).
 - CONE (As .12)
 - RISER/WALLS (As .12)
 - FLOOR (As .31) #5 BARS AT 12" C.C.E.W.

Rim: 1023' Rim to Invert: 5.5' Slack: 1" Sump: 2" Step Position: 0

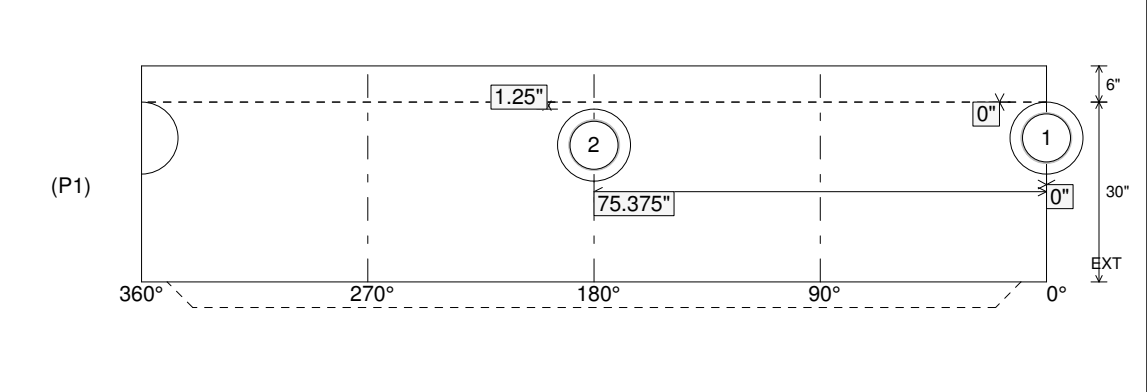
| Position | Elev | Angle | Ext. (cw) | Pipe | Pipe OD | Connector | Hole | Horz Size | Up () | Offset |
|----------|---------|-------|-----------|--------------|---------|----------------|------|-----------|--------|--------|
| Invert 1 | 1017.5' | 0° | 0" | 8" PVC SDR35 | 8.5" | PSX 12-08 NYLO | 12" | 12.129" | 0" | 0" |
| Invert 2 | 1017.6' | 180° | 91.125" | 8" PVC SDR35 | 8.5" | PSX 12-08 NYLO | 12" | 12.129" | 1.25" | 0" |
| Invert 3 | | | | | | | | | | |
| Invert 4 | | | | | | | | | | |
| Invert 5 | | | | | | | | | | |
| Invert 6 | | | | | | | | | | |
| Invert 7 | | | | | | | | | | |
| Invert 8 | | | | | | | | | | |

RIGHT-SIDE UP VIEW (int. dimensions)

UPSIDE-DOWN VIEW (int. dimensions)



INSIDE WALL DIMENSIONS



| | | | | |
|----------------------------------|---------------------------------|--|--|--|
| Coating (Int): Coating (Ext): | Seam Up: Tongue Seam Dn: n/a | Wall Thickness: 5" Floor Height: 6" | Height (Int): 30" Height (Ext): 36" | Weight (Net): 3330 lb Volume (Net): 0.85cu.yd |
|----------------------------------|---------------------------------|--|--|--|

Job Name: 25-3326 Chappell's Dairy Road Sewer Extension
 Job Location: Somerset, KY
 Contractor: City of Somerset Wastewater

Plant: 100
 9/25/2025 4:27:22 PM

Tech: J. Horsley
 PC: J. Jarvis



Structure ID: MH-3

P1A MH048BA30

MH BASE T/n

| | |
|---|----------------|
| P3) 24" - CASTING HEIGHT - 7" | 0 lb |
| P2) 48" - ECC CONE w/ 24" HOLE F/G - 30" | 2050 lb |
| P1) 48" - MH BASE T/n - 30" | 3330 lb |
| 1) JOINT WRAP - 0.065"x6"x50' CONSEAL CS212 | 0 lb |
| 1) 48" - MH INVERT CHANNEL - FULL HEIGHT | 1440 lb |
| 1) JOINT WRAP PRIMER - CONSEAL CS-75 (1 gal.) | 0 lb |
| 1) CASTING - HOE MC-350 F/C Sanitary | 305 lb |
| 1) 48" - Conseal CS-102 1.00" (Double) | 0 lb |
| 2) PSX - 12-08 NYLO | 16 lb |
| 5) MH Step ML-10-TDS-NCR - 10" | 0 lb |
| Structure Total: | 7141 lb |

Structure Notes:
 1. PER ASTM C478 SPECIFICATIONS.
 2. CONCRETE = 4,000 PSI AT 28 DAYS.
 4. CASTING BY ICAST (HOE MC-350 "SANITARY" F/C)

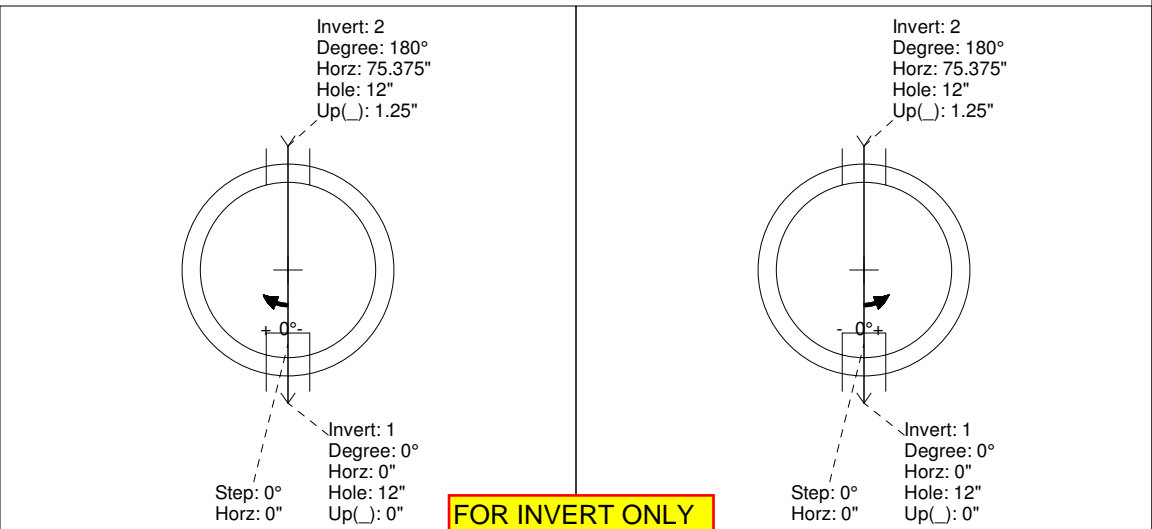
REINFORCING PER ASTM A615 (GRADE 60).
 - CONE (As .12)
 - RISER/WALLS (As .12)
 - FLOOR (As .31) #5 BARS AT 12" C.C.E.W.

Rim: 1023' Rim to Invert: 5.5' Slack: 1" Sump: 2" Step Position: 0

| Position | Elev | Angle | Ext. (cw) | Pipe | Pipe OD | Connector | Hole | Horz Size | Up () | Offset |
|----------|---------|-------|-----------|--------------|---------|----------------|------|-----------|--------|--------|
| Invert 1 | 1017.5' | 0° | 0" | 8" PVC SDR35 | 8.5" | PSX 12-08 NYLO | 12" | 12.129" | 0" | 0" |
| Invert 2 | 1017.6' | 180° | 91.125" | 8" PVC SDR35 | 8.5" | PSX 12-08 NYLO | 12" | 12.129" | 1.25" | 0" |
| Invert 3 | | | | | | | | | | |
| Invert 4 | | | | | | | | | | |
| Invert 5 | | | | | | | | | | |
| Invert 6 | | | | | | | | | | |
| Invert 7 | | | | | | | | | | |
| Invert 8 | | | | | | | | | | |

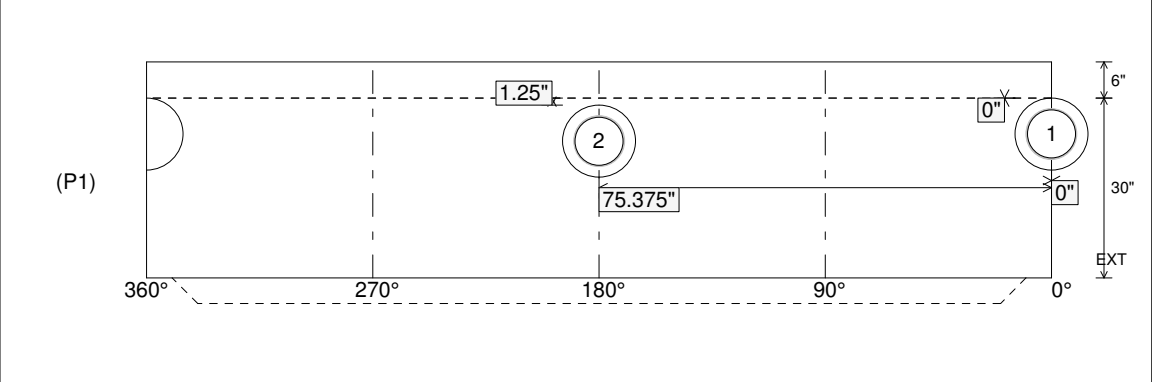
RIGHT-SIDE UP VIEW (int. dimensions)

UPSIDE-DOWN VIEW (int. dimensions)



FOR INVERT ONLY

INSIDE WALL DIMENSIONS



| | | | | |
|----------------------------------|---------------------------------|--|--|--|
| Coating (Int): Coating (Ext): | Seam Up: Tongue Seam Dn: n/a | Wall Thickness: 5" Floor Height: 6" | Height (Int): 30" Height (Ext): 36" | Weight (Net): 3330 lb Volume (Net): 0.85cu.yd |
|----------------------------------|---------------------------------|--|--|--|