

Job Name: 25-3326 Chappell's Dairy Road Sewer Extension
Job Location: Somerset, KY
Contractor: City of Somerset Wastewater

PC: J. Jarvis
 TECH: J. Horsley
 Plant: 100



Structure ID: **MH-2**
 Spec: Sanitary
 Type: SAN.MH
 Size: 48"

Rim: 1012'
 Invert: 1006.5'
 Rim to Invert: 5.5'

Sump: 2"
 Floor (Top): 1006.333'
 Floor Height: 6"

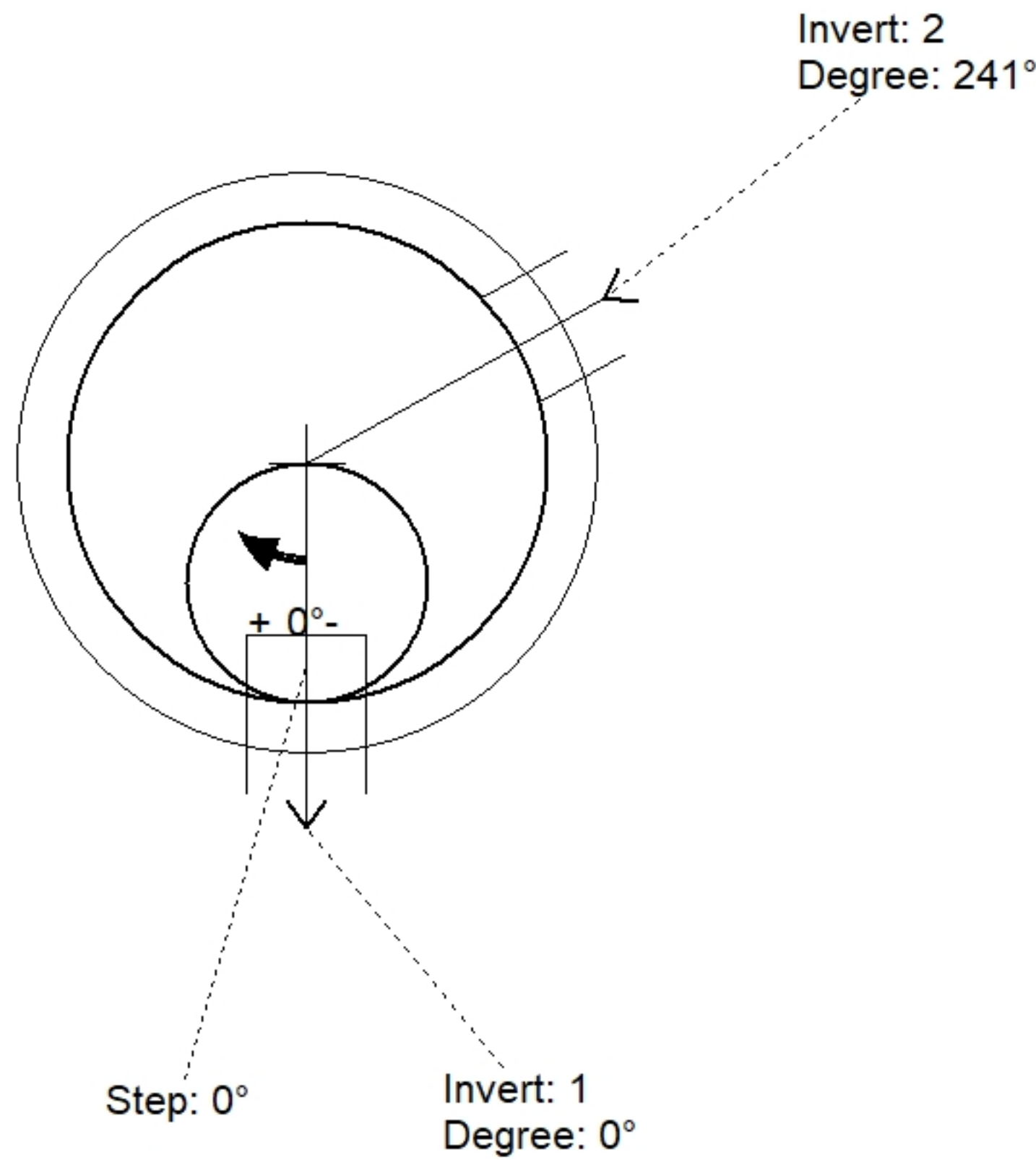
Floor (Bot): 1005.833'
 Overall Height: 6.083'
 Slack: 1"

Structure Notes:

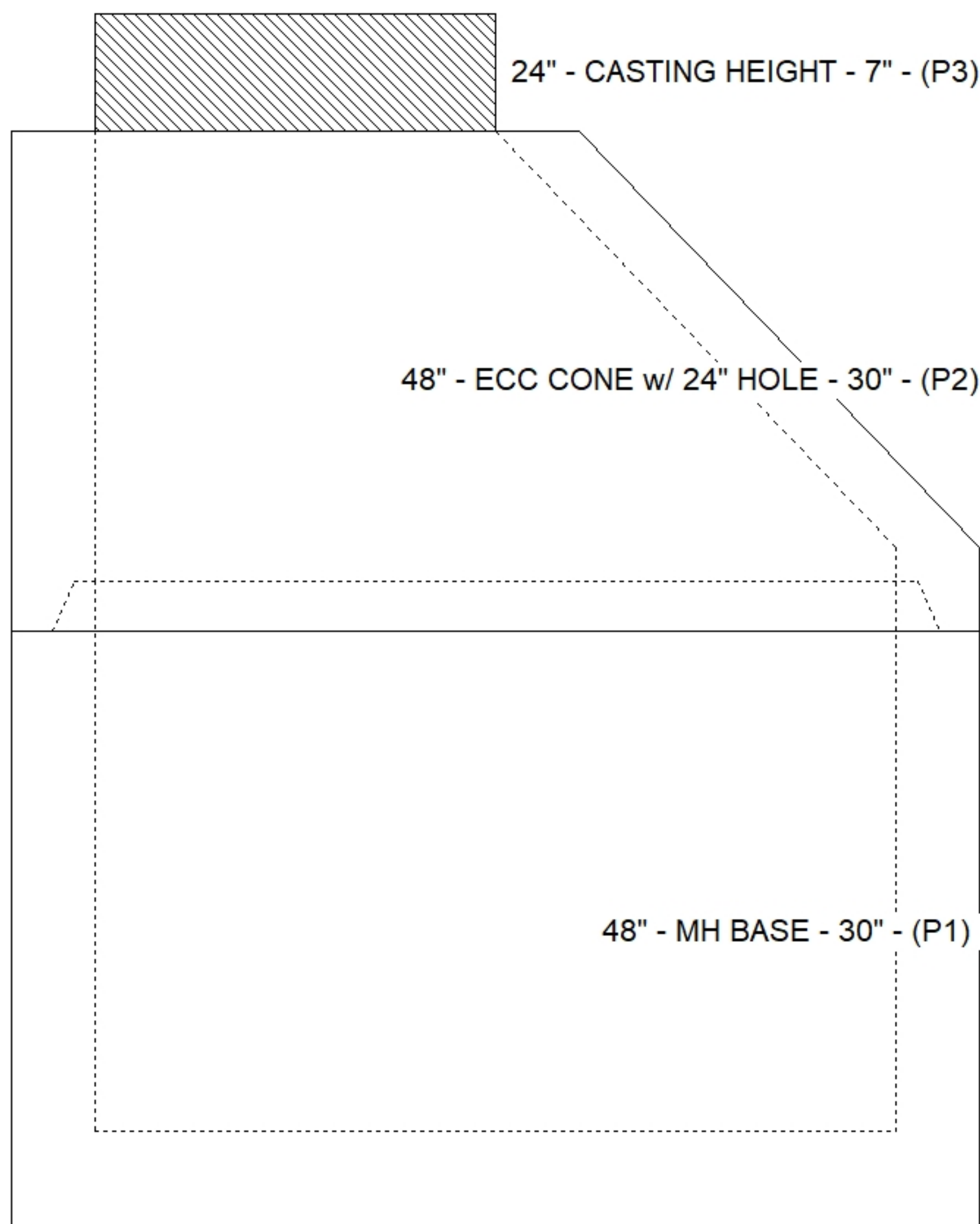
- PER ASTM C478 SPECIFICATIONS.
- CONCRETE = 4,000 PSI AT 28 DAYS.
- REINFORCING PER ASTM A615 (GRADE 60).
- CASTING BY ICAST (HOE MC-350 F/C)
 - CONE (As .12)
 - RISER/WALLS (As .12)
 - FLOOR (As .31) #5 BARS AT 12" C.C.E.W.

STRUCTURE SUMMARY:

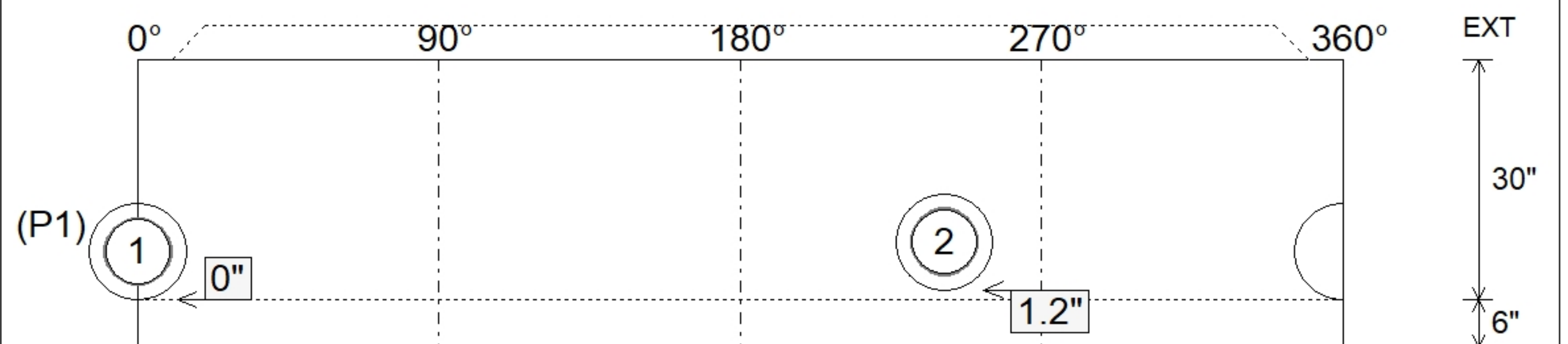
P3) 24" - CASTING HEIGHT - 7"	0 lb
P2) 48" - ECC CONE w/ 24" HOLE - 30"	2050 lb
P1) 48" - MH BASE - 30"	3330 lb
1) JOINT WRAP - 0.065"x6"x50' CONSEAL CS212	0 lb
1) 48" - MH INVERT CHANNEL - FULL HEIGHT	1440 lb
1) CASTING - HOE MC-350 F/C Sanitary	305 lb
1) 48" - Conseal CS-102 1.00" (Double)	0 lb
2) PSX - 12-08 NYLO	16 lb
5) MH Step ML-10-TDS-NCR - 10"	0 lb
Structure Total:	7141 lb



Position	Elev	Angle	Pipe	Pipe OD	Hole	Connector	Up (")	Ref
Rim	1012'							
Reducer								
Invert 1	1006.5'	0°	8" PVC SDR35	8.5"	12"	PSX 12-08 NYLO	0"	P1
Invert 2	1006.6'	241°	8" PVC SDR35	8.5"	12"	PSX 12-08 NYLO	1.2"	P1
Invert 3								
Invert 4								
Invert 5								
Invert 6								
Invert 7								
Invert 8								



Default - Interior Dimensions



Submittal Drawing
 10/14/2025 8:26:37 AM

SUBMITTAL
 APPROVED BY: