

**Job Name: 25-3326 Chappell's Dairy Road Sewer Extension**  
**Job Location: Somerset, KY**  
**Contractor: City of Somerset Wastewater**

PC: J. Jarvis  
 TECH: J. Horsley  
 Plant: 100



Structure ID: MH-1  
 Spec: Sanitary  
 Type: SAN.MH  
 Size: 48"

Rim: 1005.5'  
 Invert: 1000'  
 Rim to Invert: 5.5'

Sump: 2"  
 Floor (Top): 999.833'  
 Floor Height: 6"

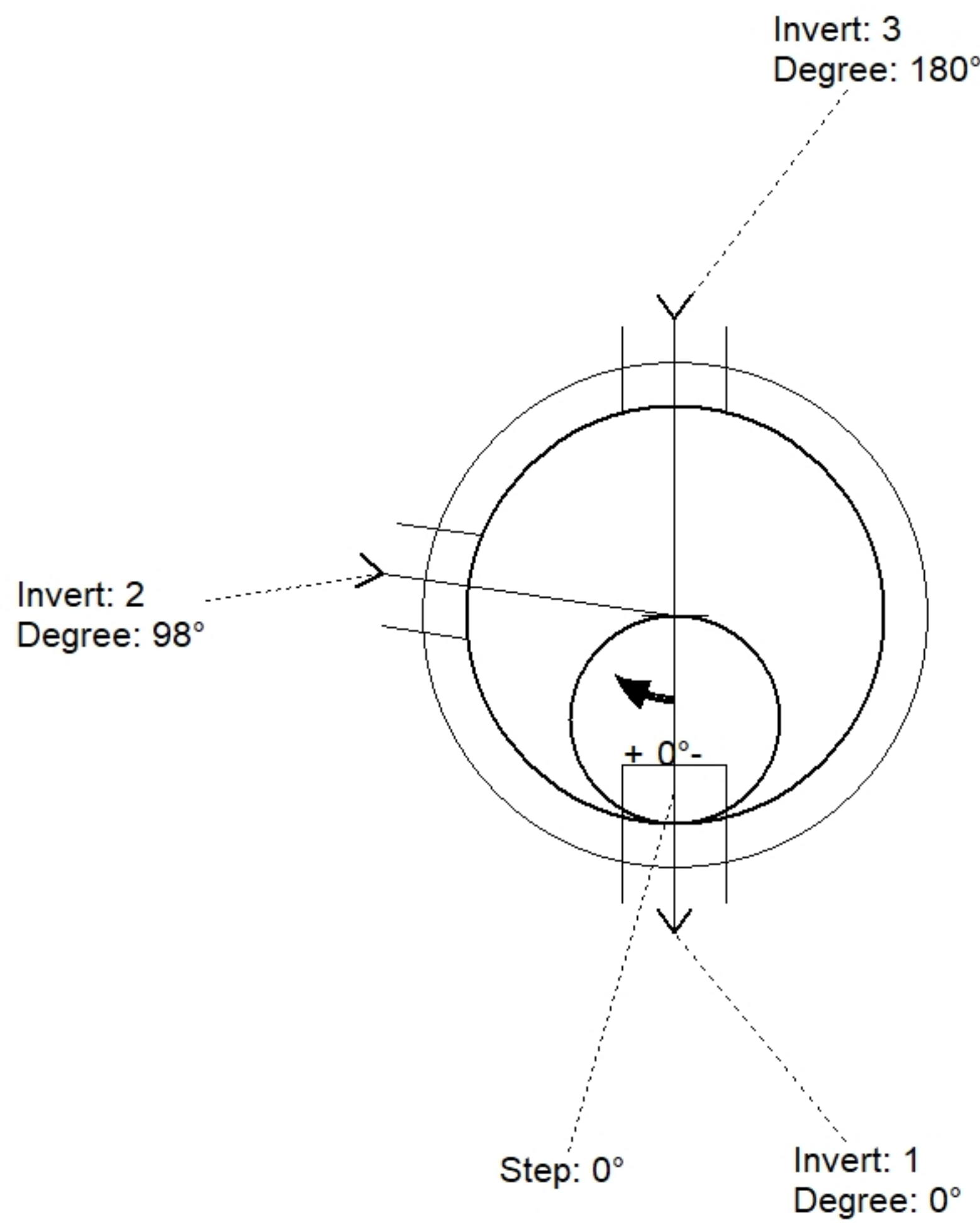
Floor (Bot): 999.333'  
 Overall Height: 6.083'  
 Slack: 1"

**Structure Notes:**

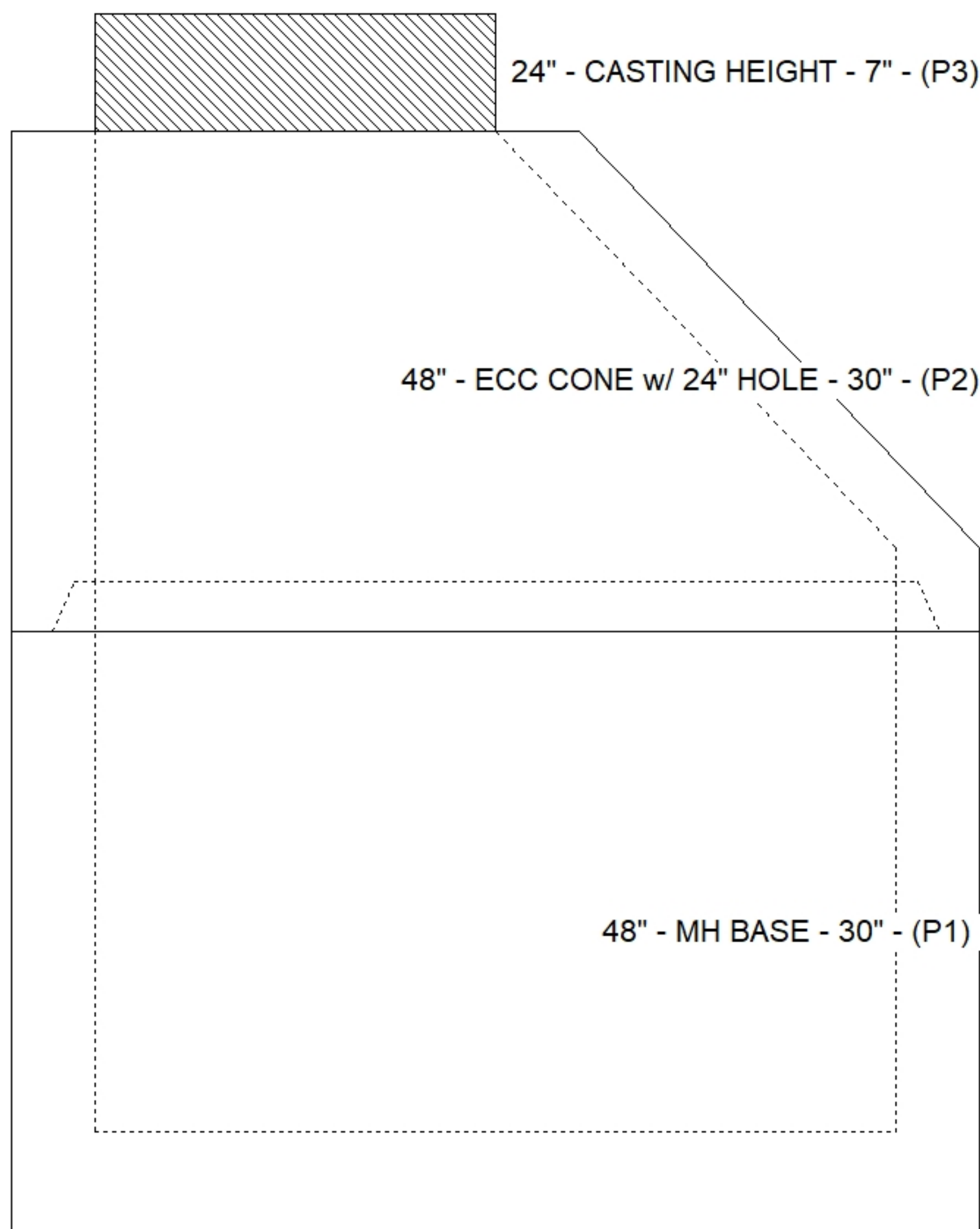
1. PER ASTM C478 SPECIFICATIONS.
2. CONCRETE = 4,000 PSI AT 28 DAYS.
3. REINFORCING PER ASTM A615 (GRADE 60).
4. CASTING BY ICAST (HOE MC-350 F/C)
  - CONE (As .12)
  - RISER/WALLS (As .12)
  - FLOOR (As .31) #5 BARS AT 12" C.C.E.W.

**STRUCTURE SUMMARY:**

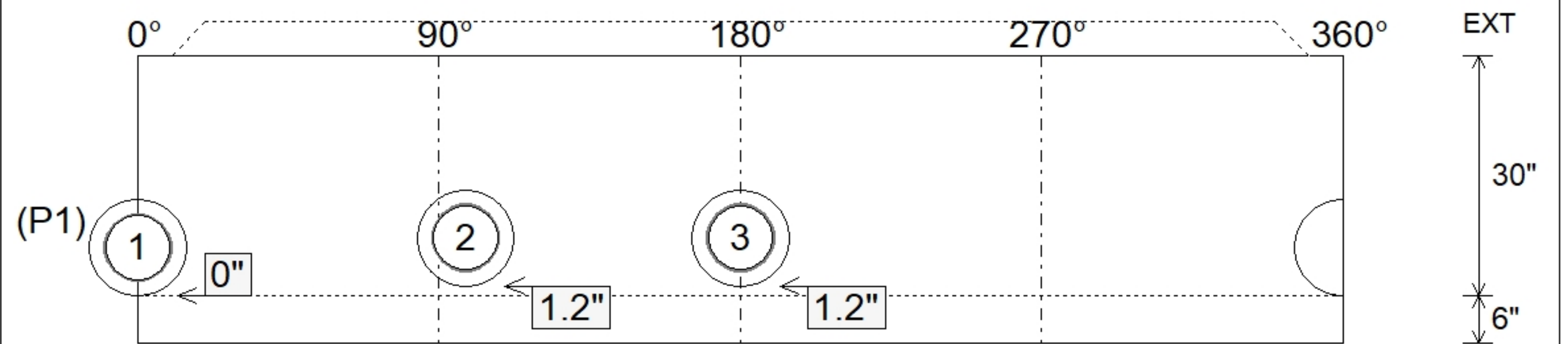
P3) 24" - CASTING HEIGHT - 7"	0 lb
P2) 48" - ECC CONE w/ 24" HOLE - 30"	2050 lb
P1) 48" - MH BASE - 30"	3282 lb
1) JOINT WRAP - 0.065"x6"x50' CONSEAL CS212	0 lb
1) 48" - MH INVERT CHANNEL - FULL HEIGHT	1440 lb
1) CASTING - HOE MC-350 F/C Sanitary	305 lb
1) 48" - Con Seal CS-102 1.00" (Double)	0 lb
3) PSX - 12-08 NYLO	24 lb
5) MH Step ML-10-TDS-NCR - 10"	0 lb
<b>Structure Total:</b>	<b>7101 lb</b>



Position	Elev	Angle	Pipe	Pipe OD	Hole	Connector	Up (")	Ref
Rim	1005.5'							
Reducer								
Invert 1	1000'	0°	8" PVC SDR35	8.5"	12"	PSX 12-08 NYLO	0"	P1
Invert 2	1000.1'	98°	8" PVC SDR35	8.5"	12"	PSX 12-08 NYLO	1.2"	P1
Invert 3	1000.1'	180°	8" PVC SDR35	8.5"	12"	PSX 12-08 NYLO	1.2"	P1
Invert 4								
Invert 5								
Invert 6								
Invert 7								
Invert 8								



**Default - Interior Dimensions**



Submittal Drawing  
 10/14/2025 8:26:36 AM

SUBMITTAL  
 APPROVED BY: