

**Job Name: 25-3310 - Mammoth Cave NP-MACA 12**  
**Job Location: Mammoth Cave , KY**  
**Contractor: Phillips Brothers**

PC: C. Goff  
 TECH: J. Coppage - F  
 Plant: 100



Structure ID: **CB25B**

Spec: Storm  
 Type: BX 8inW, 8inF  
 Size: 24" x 36"

Rim: 737.98'  
 Invert: 734.44'  
 Rim to Invert: 3.54'

Sump: 0"  
 Floor (Top): 734.44'  
 Floor Height: 8"

Floor (Bot): 733.773'  
 Overall Height: 4.167'  
 Slack: 0.48"

**Structure Notes:**

1. PER ASTM C913 SPECIFICATIONS.
2. CONCRETE = 4,000 PSI AT 28 DAYS.
3. NO INVERT CHANNEL.
4. CASTING SUPPLIED BY OTHERS (HOE-525).

REINFORCING PER ASTM A615 (GRADE 60).  
 - WALLS (As .12) #5 BARS AT 12" C.C.E.W.  
 - FLOOR (As .12) #5 BARS AT 12" C.C.E.W.

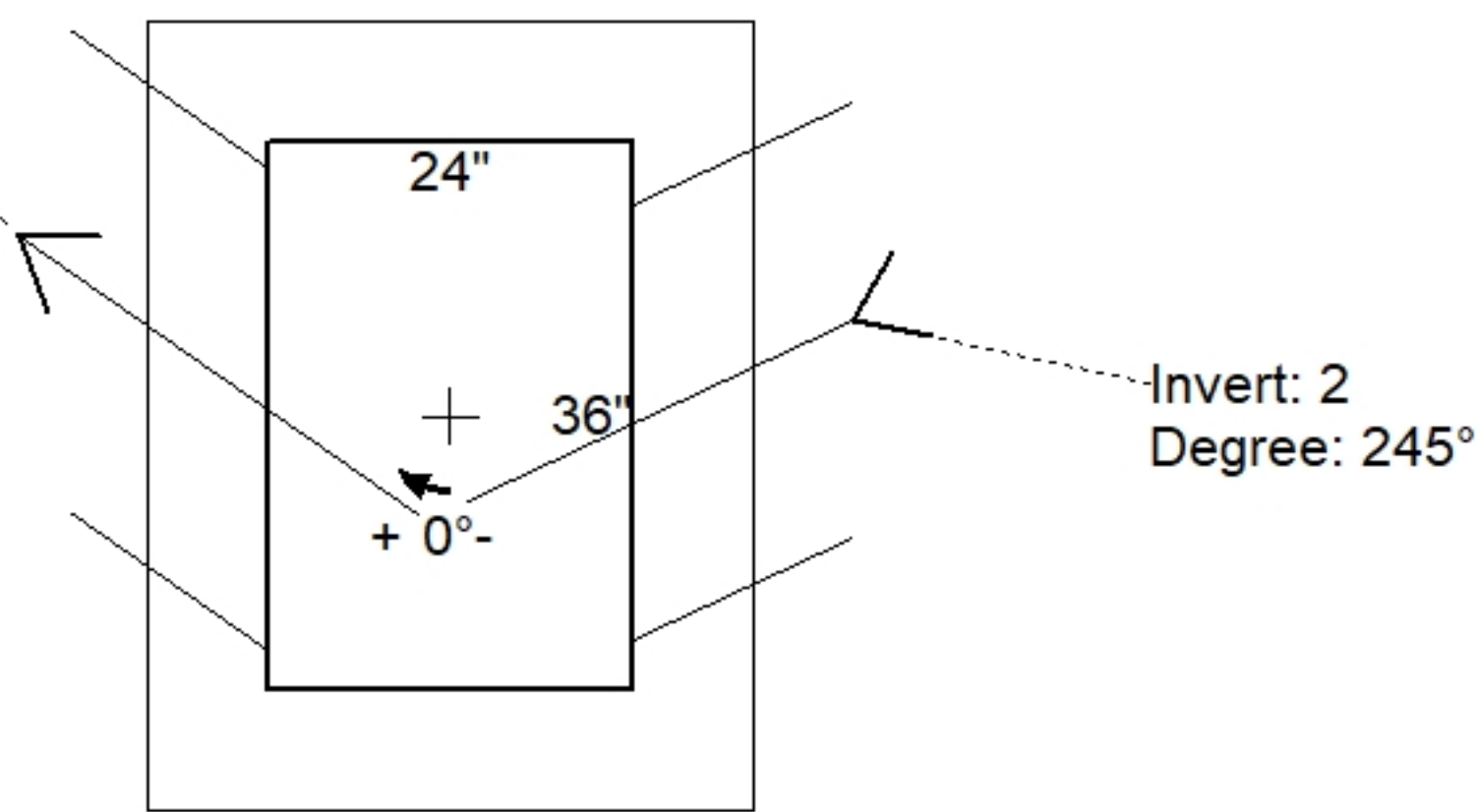
**STRUCTURE SUMMARY:**

- P2) 24" x 36" - CASTING HEIGHT - 6"
- P1) 24" x 36" - BOX BASE 8inW, 8inF - 36"
- 1) 24" x 36" - Con Seal CS-102 1.00"
- 2) Hole - 26"

0 lb  
 4241 lb  
 0 lb  
 0 lb

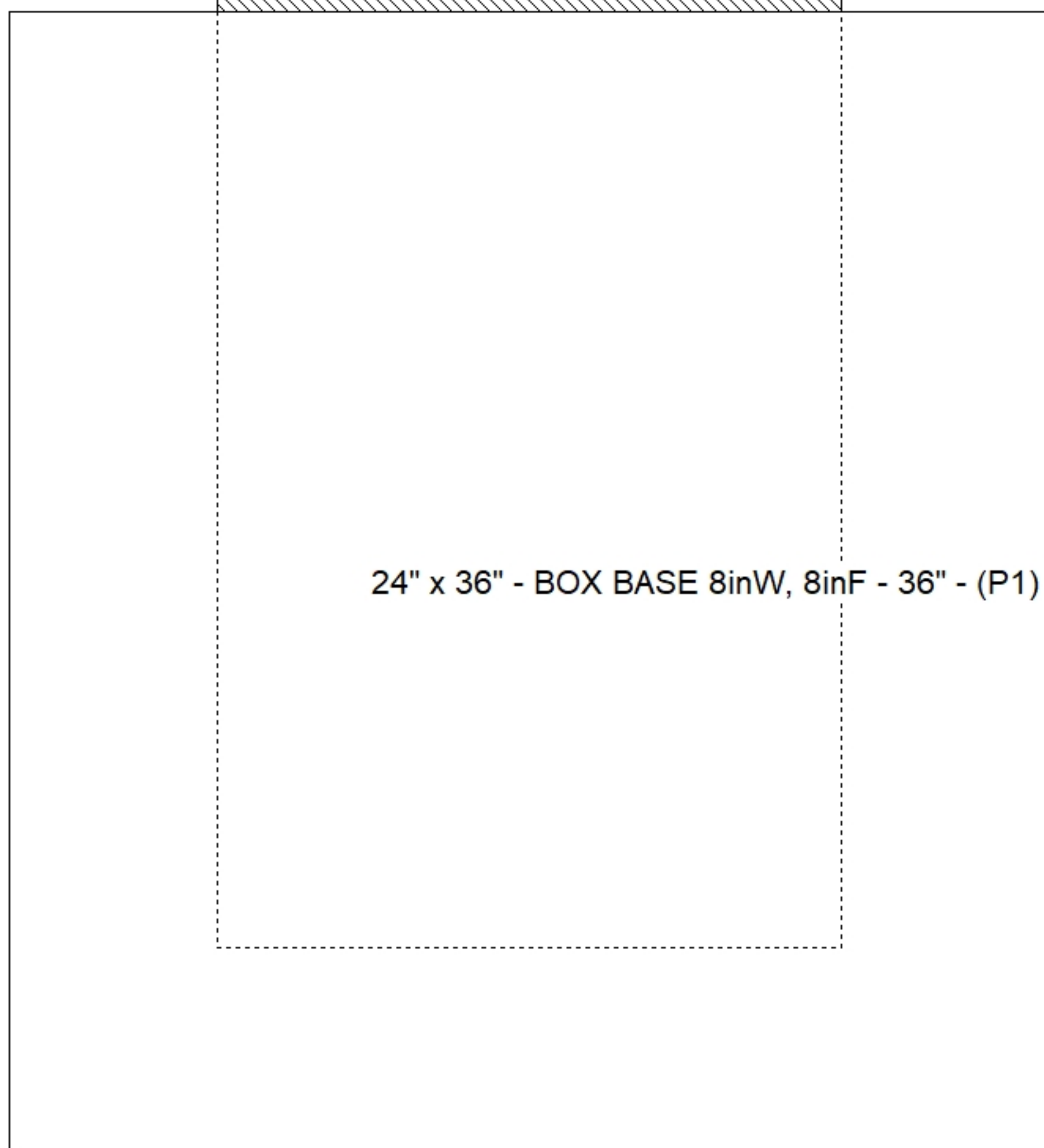
Structure Total: 4241 lb

Invert: 1  
 Degree: 125°



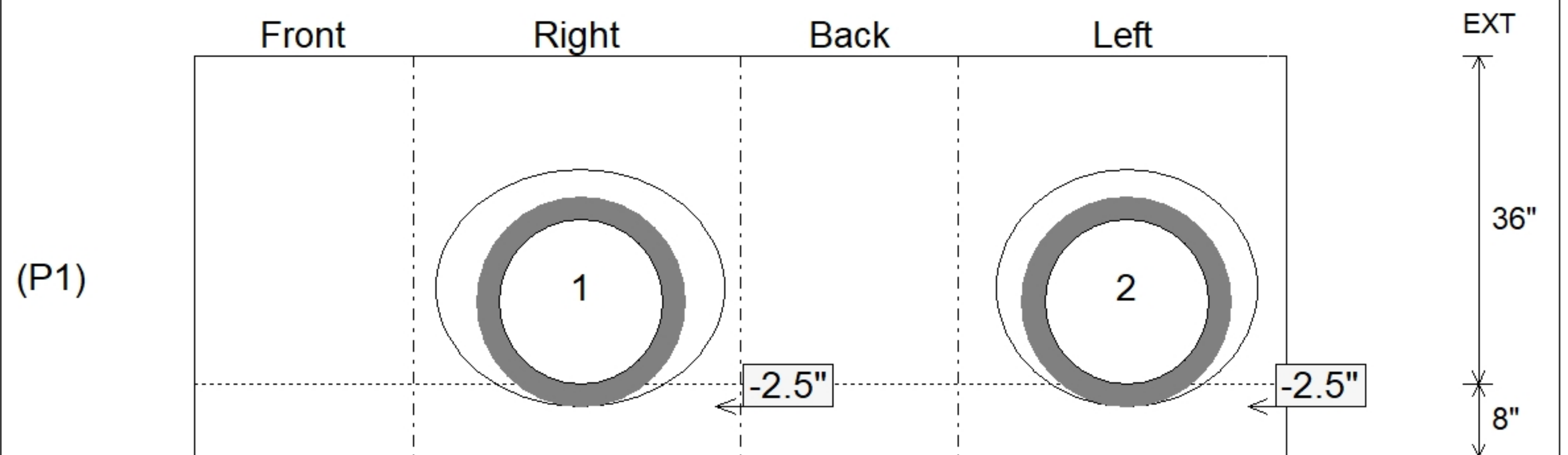
Position	Elev	Angle	Pipe	Pipe OD	Hole	Connector	Up ( )	Ref
Rim	737.98'							
Reducer								
Invert 1	734.44'	125°	18" RCP B WALL	23"	26"	Hole 26	-2.5"	P1
Invert 2	734.44'	245°	18" RCP B WALL	23"	26"	Hole 26	-2.5"	P1
Invert 3								
Invert 4								
Invert 5								
Invert 6								
Invert 7								
Invert 8								

24" x 36" - CASTING HEIGHT - 6" - (P2)



24" x 36" - BOX BASE 8inW, 8inF - 36" - (P1)

**Default - Interior Dimensions**



Submittal Drawing  
 4/10/2026 8:46:05 AM

SUBMITTAL  
 APPROVED BY: