

**Job Name: 25-3310 - Mammoth Cave NP-MACA 12**  
**Job Location: Mammoth Cave , KY**  
**Contractor: Phillips Brothers**

PC: C. Goff  
 TECH: J. Coppage - F  
 Plant: 100



Structure ID: **CB23B**  
 Spec: Storm  
 Type: BX 8inW, 8inF  
 Size: 24" x 36"

Rim: 741.06'  
 Invert: 737.6'  
 Rim to Invert: 3.46'

Sump: 0"  
 Floor (Top): 737.6'  
 Floor Height: 8"

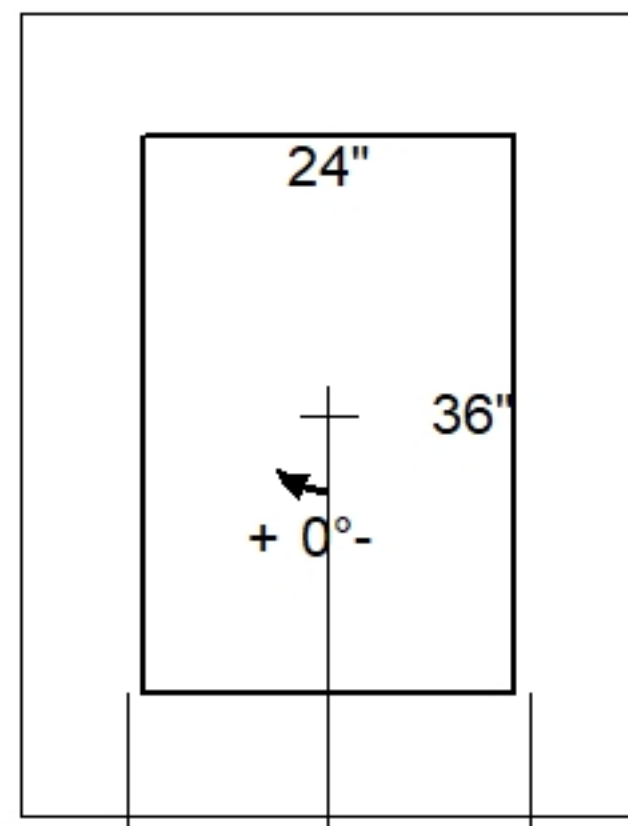
Floor (Bot): 736.933'  
 Overall Height: 4.083'  
 Slack: 0.52"

**Structure Notes:**

- PER ASTM C913 SPECIFICATIONS.
  - CONCRETE = 4,000 PSI AT 28 DAYS.
  - NO INVERT CHANNEL.
  - CASTING SUPPLIED BY OTHERS (HOE-525).
- REINFORCING PER ASTM A615 (GRADE 60).  
 - WALLS (As .12) #5 BARS AT 12" C.C.E.W.  
 - FLOOR (As .12) #5 BARS AT 12" C.C.E.W

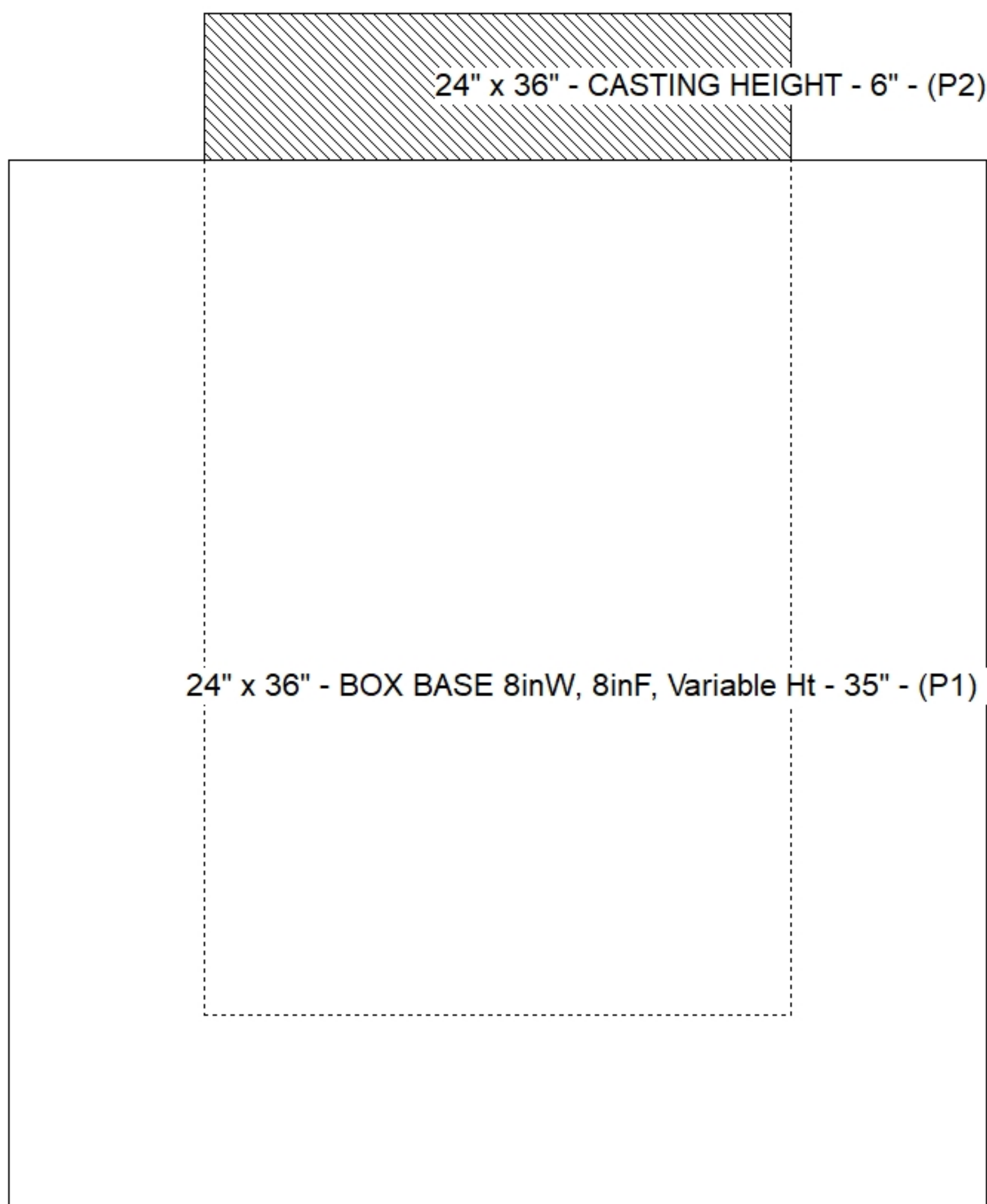
**STRUCTURE SUMMARY:**

P2) 24" x 36" - CASTING HEIGHT - 6" 0 lb  
 P1) 24" x 36" - BOX BASE 8inW, 8inF, Variable Ht - 35" 4700 lb  
 1) 24" x 36" - Con Seal CS-102 1.00" 0 lb  
 1) Hole - 26 0 lb  
 Structure Total: 4700 lb

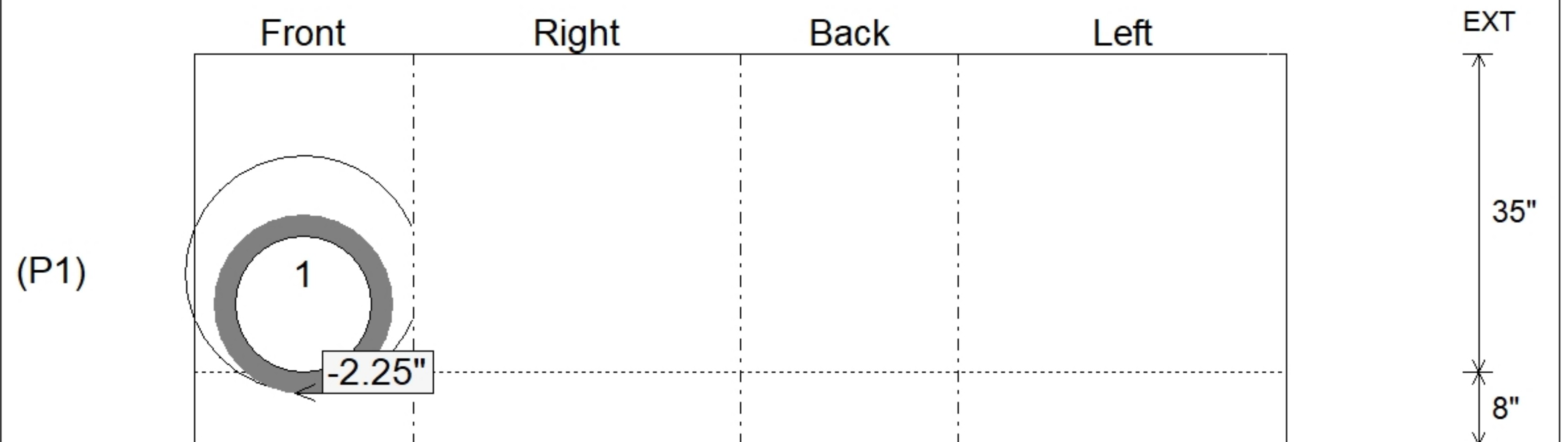


Invert: 1  
 Degree: 0°

Position	Elev	Angle	Pipe	Pipe OD	Hole	Connector	Up ( )	Ref
Rim	741.06'							
Reducer								
Invert 1	737.6'	0°	15" RCP B WALL	19.5"	26"	Hole 26	-2.25"	P1
Invert 2								
Invert 3								
Invert 4								
Invert 5								
Invert 6								
Invert 7								
Invert 8								



**Default - Interior Dimensions**



Submittal Drawing  
 4/10/2026 8:46:06 AM

SUBMITTAL  
 APPROVED BY: