

Job Name: 25-3310 - Mammoth Cave NP-MACA 12  
 Job Location: Mammoth Cave , KY  
 Contractor: Phillips Brothers

Plant: 100  
 4/2/2026 7:50:06 PM

Tech: J. Horsley - F  
 PC: C. Goff



**Structure ID: CB23B**

**P1 BX2436-08BVF**

**BOX BASE 8inW, 8inF, Variable Ht F/n**

- P2) 24" x 36" - CASTING HEIGHT - 6"
- P1) 24" x 36" - BOX BASE 8inW, 8inF, Variable Ht F/n - 35"
- 1) 24" x 36" - Conseal CS-102 1.00"
- 1) Hole - 26"

0 lb  
 4700 lb  
 0 lb  
 0 lb  
 -----  
 Structure Total: 4700 lb

- Structure Notes:
1. PER ASTM C913 SPECIFICATIONS.
  2. CONCRETE = 4,000 PSI AT 28 DAYS.
  3. NO INVERT CHANNEL.
  4. CASTING SUPPLIED BY OTHERS (HOE-525).

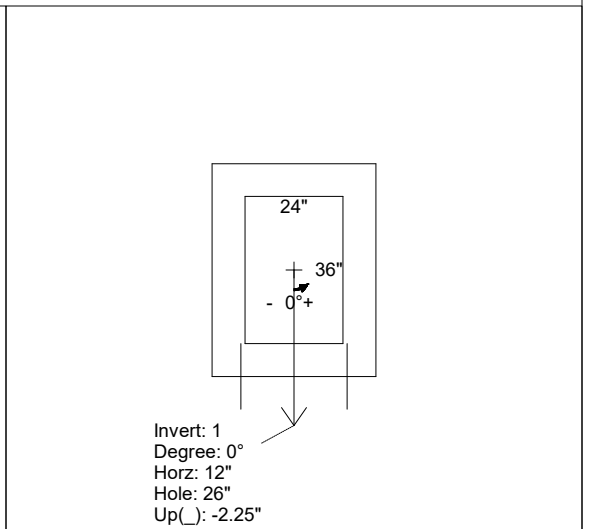
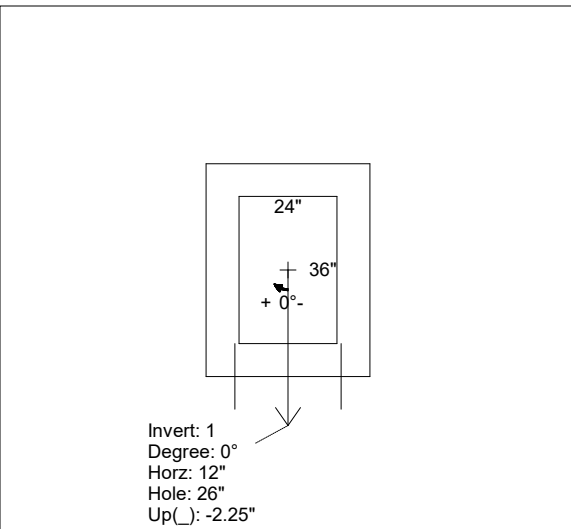
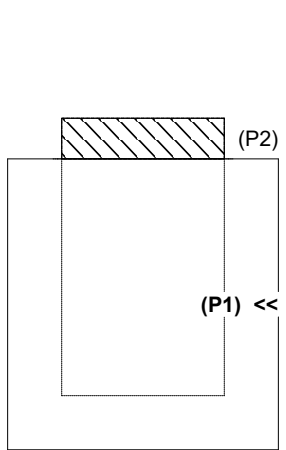
REINFORCING PER ASTM A615 (GRADE 60).  
 - WALLS (As .12) #5 BARS AT 12" C.C.E.W.  
 - FLOOR (As .12) #5 BARS AT 12" C.C.E.W

Rim: 741.06' Rim to Invert: 3.46' Slack: 0.52' Sump: 0' Step Position:

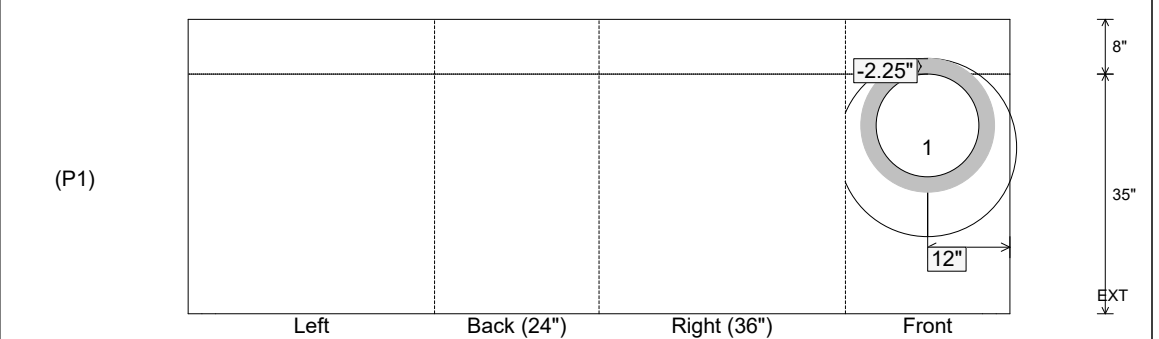
Position	Elev	Angle	Ext. (cw)	Pipe	Pipe OD	Connector	Hole	Horz Size	Up ( )	Offset
Invert 1	737.6'	0°	20"	15" RCP B WALL	19.5"	Hole 26	26"	25"	-2.25"	0"
Invert 2										
Invert 3										
Invert 4										
Invert 5										
Invert 6										
Invert 7										
Invert 8										

RIGHT-SIDE UP VIEW (int. dimensions)

UPSIDE-DOWN VIEW (int. dimensions)



INSIDE WALL DIMENSIONS



Coating (Int): Coating (Ext):	Seam Up: Flat Seam Dn: n/a	Wall Thickness: 8" Floor Height: 8"	Height (Int): 35" Height (Ext): 43"	Weight (Net): 4700 lb Volume (Net): 1.2cu.yd
----------------------------------	-------------------------------	--	--	---