

Job Name: 25-3310 - Mammoth Cave NP-MACA 12
Job Location: Mammoth Cave , KY
Contractor: Phillips Brothers

PC: C. Goff
 TECH: J. Coppage - F
 Plant: 100



Structure ID: **CB22B**

Spec: Storm
 Type: STM.MH (Recessed pipe)
 Size: 48"

Rim: 740.34'
 Invert: 736.05'
 Rim to Invert: 4.29'

Sump: 0"
 Floor (Top): 736.05'
 Floor Height: 6"

Floor (Bot): 735.55'
 Overall Height: 4.75'
 Slack: 0.48"

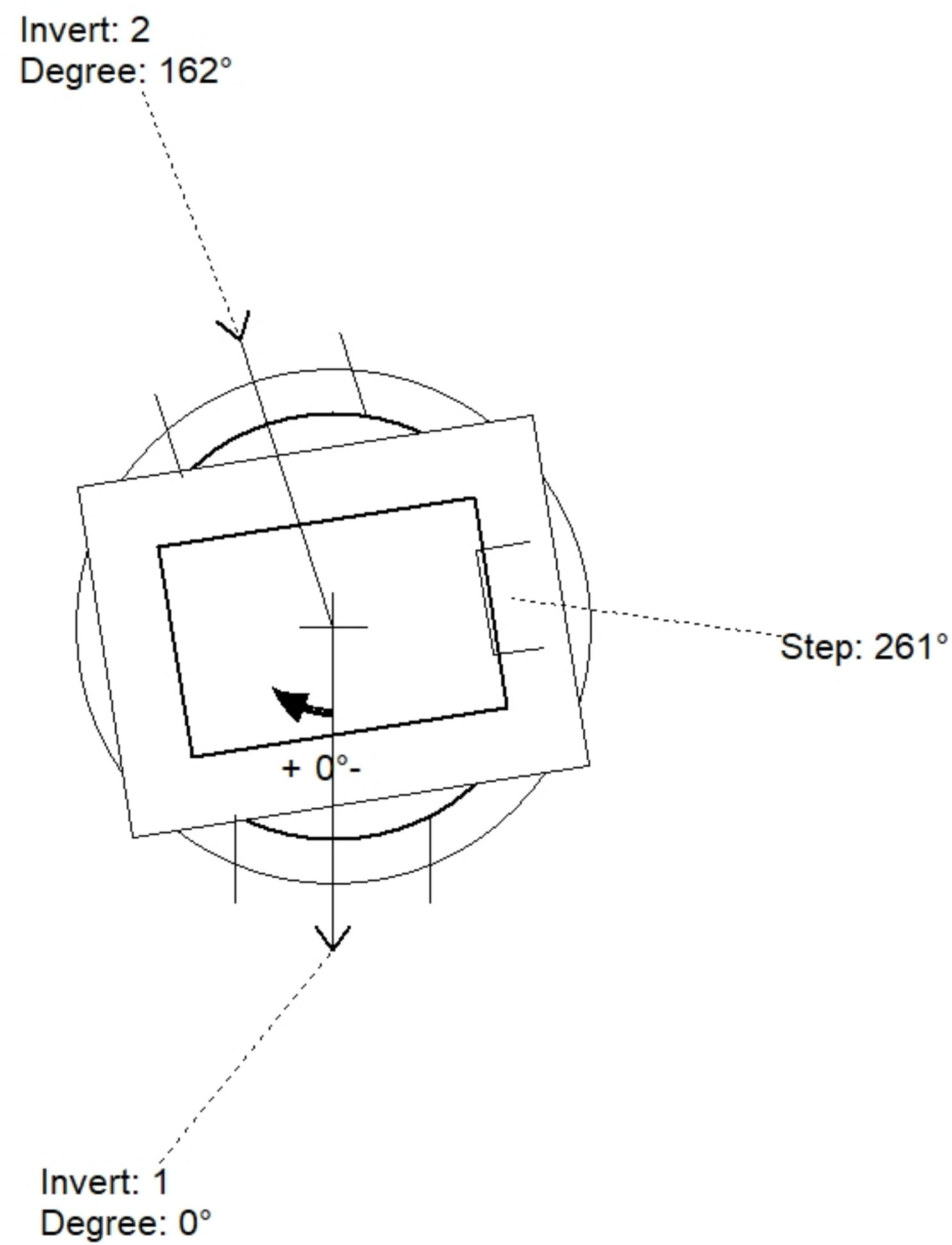
Structure Notes:

1. PER ASTM C478 SPECIFICATIONS.
2. CONCRETE = 4,000 PSI AT 28 DAYS.
3. NO INVERT CHANNEL.
4. CASTING SUPPLIED BY OTHERS (HOE-525).

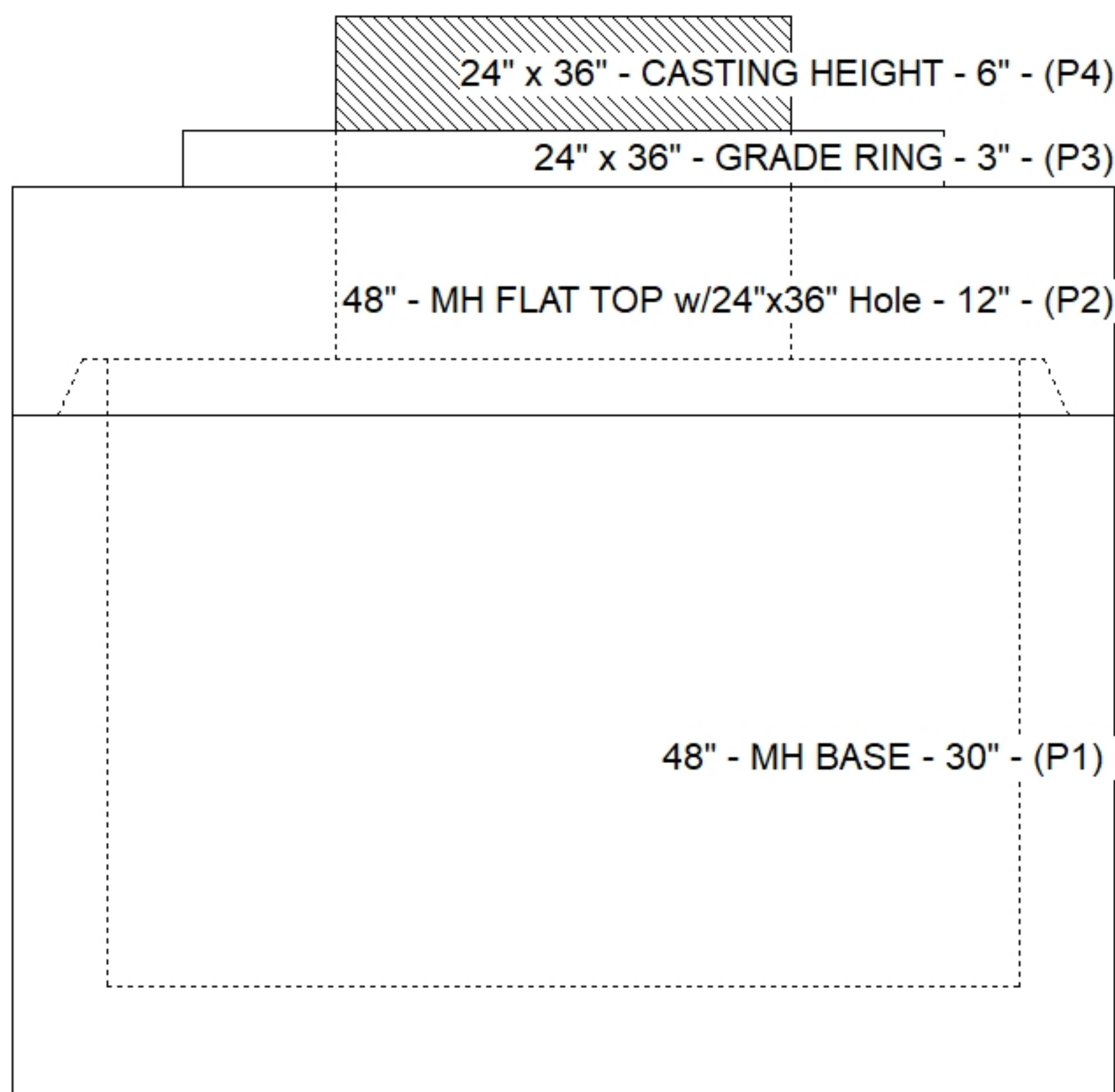
REINFORCING PER ASTM A615 (GRADE 60).
 - TOP SLAB (As .62) #5 BARS AT 6" C.C.E.W..
 - RISER/WALLS (As .12)
 - FLOOR (As .31) #5 BARS AT 12" C.C.E.W.

STRUCTURE SUMMARY:

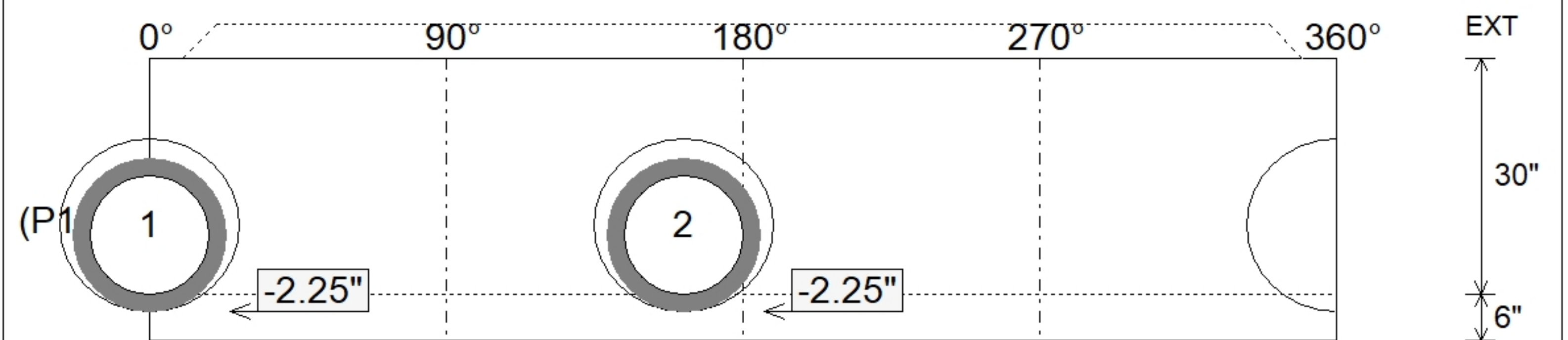
P4) 24" x 36" - CASTING HEIGHT - 6"	0 lb
P3) 24" x 36" - GRADE RING - 3"	306 lb
P2) 48" - MH FLAT TOP w/24"x36" Hole - 12"	1300 lb
P1) 48" - MH BASE - 30"	3088 lb
1) 48" - Conseal CS-102 1.00"	0 lb
2) 24" x 36" - Conseal CS-102 1.00"	0 lb
2) Hole - 22	0 lb
3) MH Step ML-10-TDS-NCR - 10"	0 lb
Structure Total:	4694 lb



Position	Elev	Angle	Pipe	Pipe OD	Hole	Connector	Up ()	Ref
Rim	740.34'							
Reducer								
Invert 1	736.05'	0°	15" RCP B WALL	19.5"	22"	Hole 22	-2.25"	P1
Invert 2	736.05'	162°	15" RCP B WALL	19.5"	22"	Hole 22	-2.25"	P1
Invert 3								
Invert 4								
Invert 5								
Invert 6								
Invert 7								
Invert 8								



Default - Interior Dimensions



Submittal Drawing
 4/10/2026 8:45:59 AM

SUBMITTAL
 APPROVED BY: