

**Job Name: 25-3310 - Mammoth Cave NP-MACA 12**  
**Job Location: Mammoth Cave , KY**  
**Contractor: Phillips Brothers**

PC: C. Goff  
 TECH: J. Coppage - F  
 Plant: 100



Structure ID: **CB21**  
 Spec: Storm  
 Type: STM.MH  
 Size: 48"

Rim: 745.53'  
 Invert: 739.57'  
 Rim to Invert: 5.96'

Sump: 3"  
 Floor (Top): 739.32'  
 Floor Height: 6"

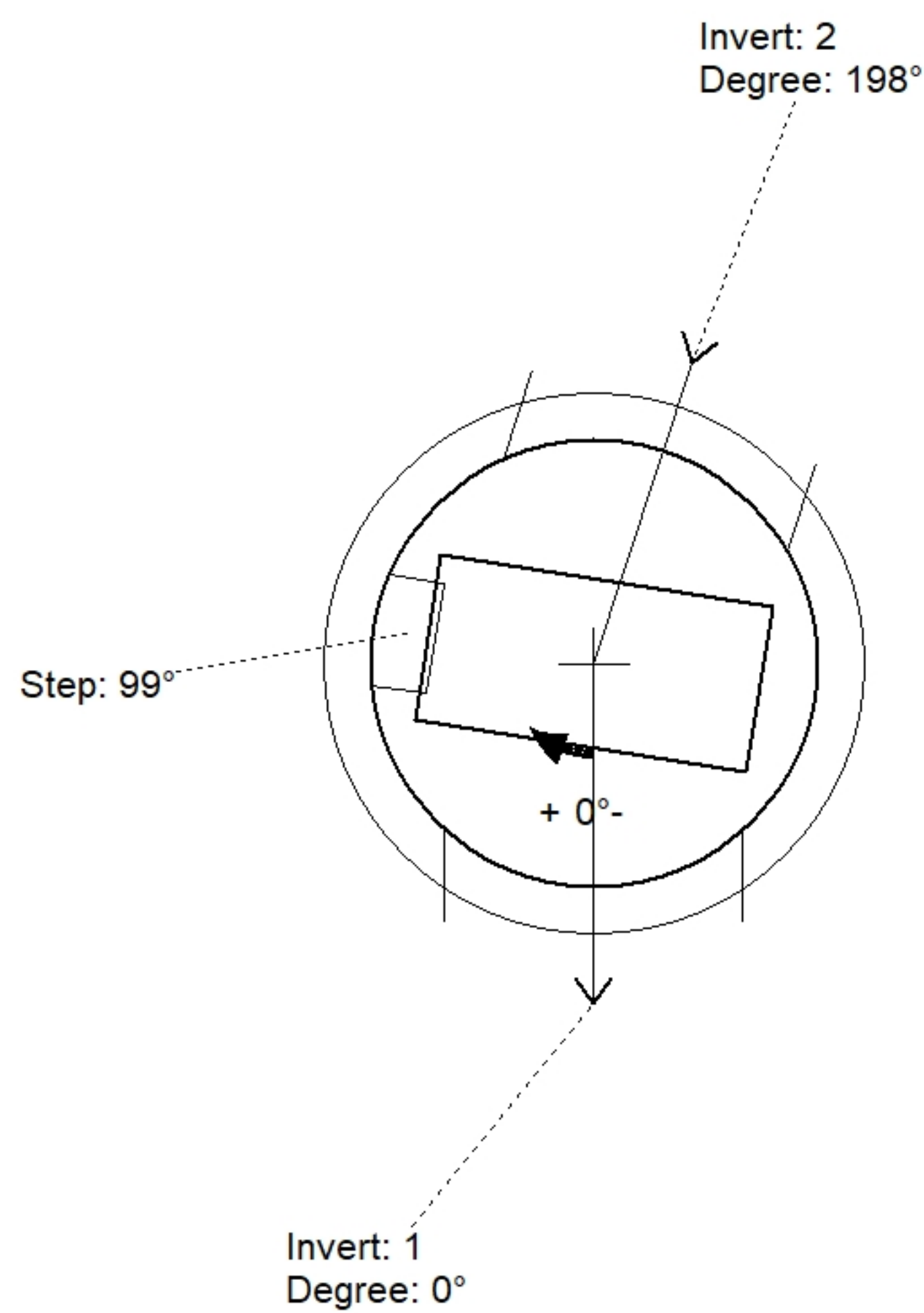
Floor (Bot): 738.82'  
 Overall Height: 6.5'  
 Slack: 2.52"

**Structure Notes:**

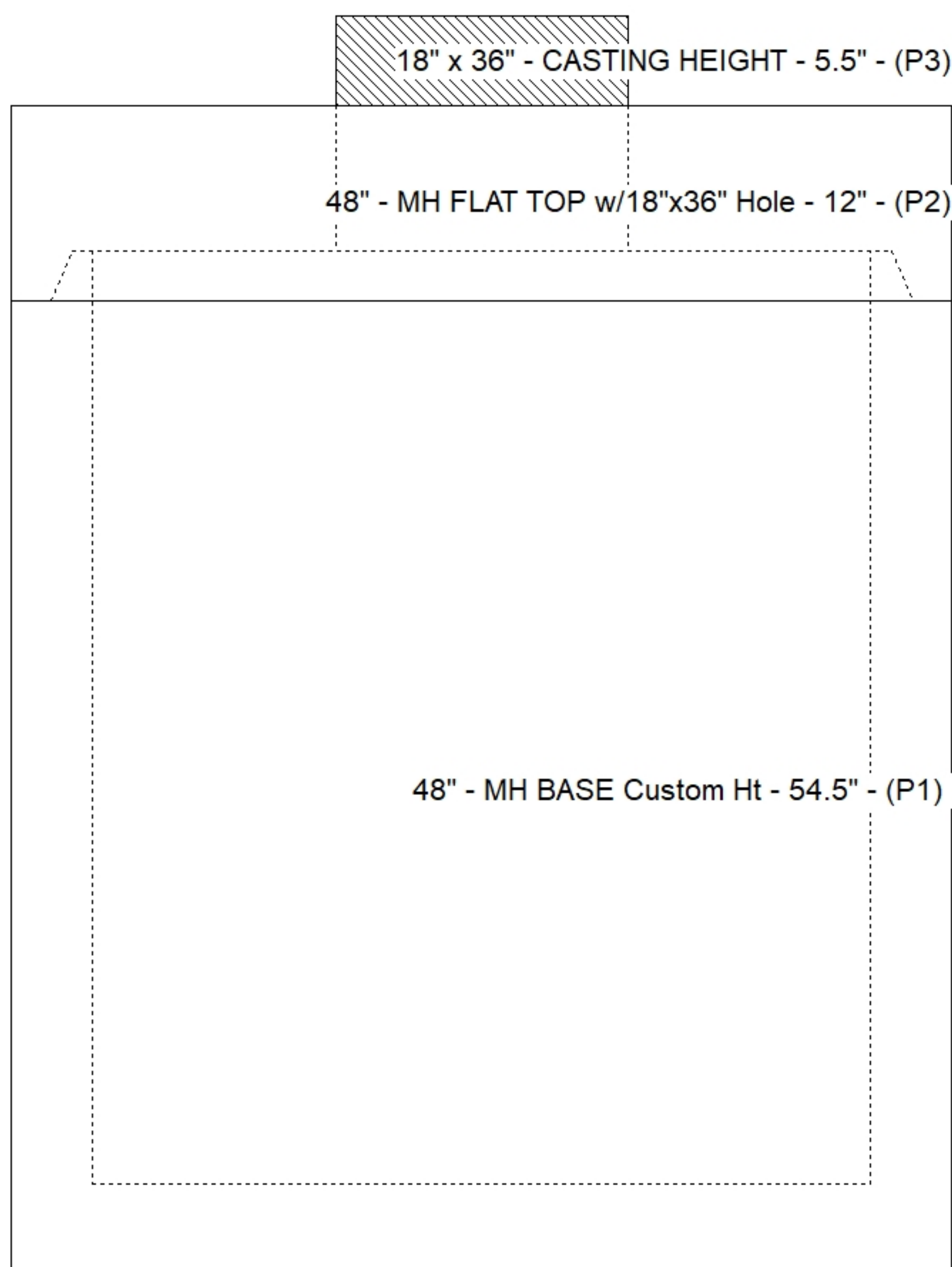
1. PER ASTM C478 SPECIFICATIONS.
  2. CONCRETE = 4,000 PSI AT 28 DAYS.
  3. NO INVERT CHANNEL
  4. CASTING SUPPLIED BY OTHERS (HOE-580).
- REINFORCING PER ASTM A615 (GRADE 60).  
 - TOP SLAB (As .62) #5 BARS AT 6" C.C.E.W..  
 - RISER/WALLS (As .12)  
 - FLOOR (As .31) #5 BARS AT 12" C.C.E.W.

**STRUCTURE SUMMARY:**

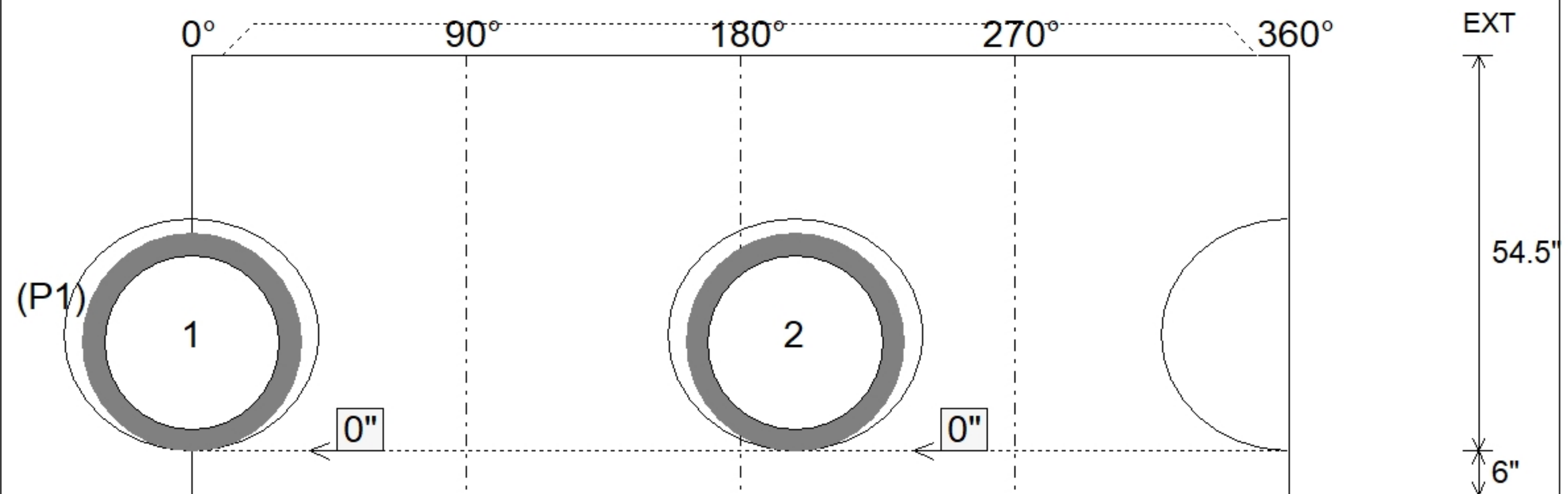
P3) 18" x 36" - CASTING HEIGHT - 5.5"	0 lb
P2) 48" - MH FLAT TOP w/18"x36" Hole - 12"	2008 lb
P1) 48" - MH BASE Custom Ht - 54.5"	4411 lb
1) 48" - Conseal CS-102 1.00"	0 lb
1) 18" x 36" - Conseal CS-102 1.00"	0 lb
2) Hole - 32	0 lb
4) MH Step ML-10-TDS-NCR - 10"	0 lb
<b>Structure Total:</b>	<b>6419 lb</b>



Position	Elev	Angle	Pipe	Pipe OD	Hole	Connector	Up ( )	Ref
Rim	745.53'							
Reducer								
Invert 1	739.57'	0°	24" RCP B WALL	30"	32"	Hole 32	0"	P1
Invert 2	739.57'	198°	24" RCP B WALL	30"	32"	Hole 32	0"	P1
Invert 3								
Invert 4								
Invert 5								
Invert 6								
Invert 7								
Invert 8								



**Default - Interior Dimensions**



Submittal Drawing  
 4/10/2026 8:46:06 AM

SUBMITTAL  
 APPROVED BY: