

Job Name: 25-3310 - Mammoth Cave NP-MACA 12
Job Location: Mammoth Cave , KY
Contractor: Phillips Brothers

PC: C. Goff
 TECH: J. Coppage - F
 Plant: 100



Structure ID: **CB15**

Spec: Storm
 Type: STM.MH (Recessed pipe)
 Size: 48"

Rim: 739.98'
 Invert: 736.1'
 Rim to Invert: 3.88'

Sump: 0"
 Floor (Top): 736.1'
 Floor Height: 6"

Floor (Bot): 735.6'
 Overall Height: 4.333'
 Slack: 0.56"

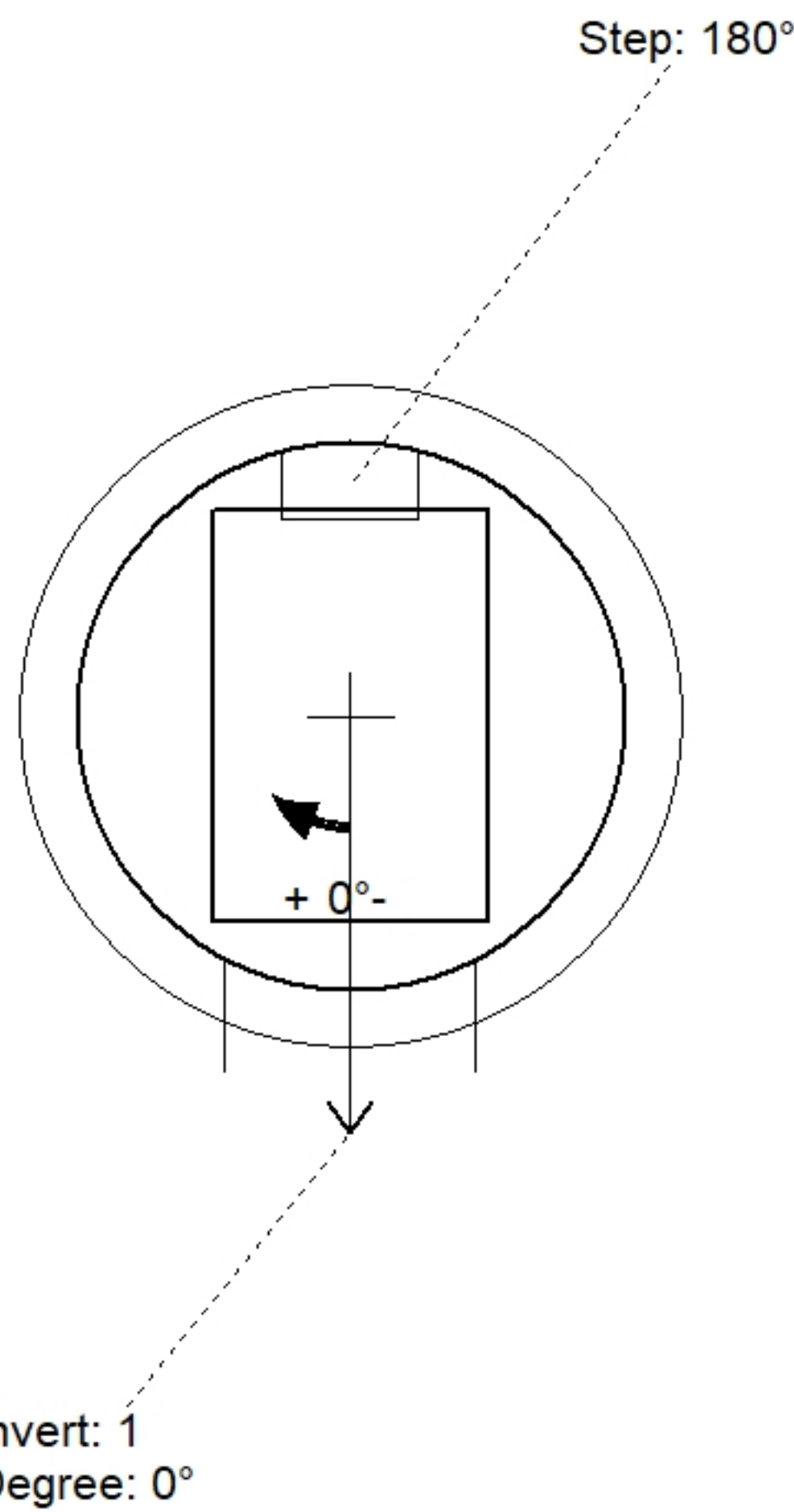
Structure Notes:

1. PER ASTM C478 SPECIFICATIONS.
2. CONCRETE = 4,000 PSI AT 28 DAYS.
3. NO INVERT CHANNEL.
4. CASTING SUPPLIED BY OTHERS (HOE-525).

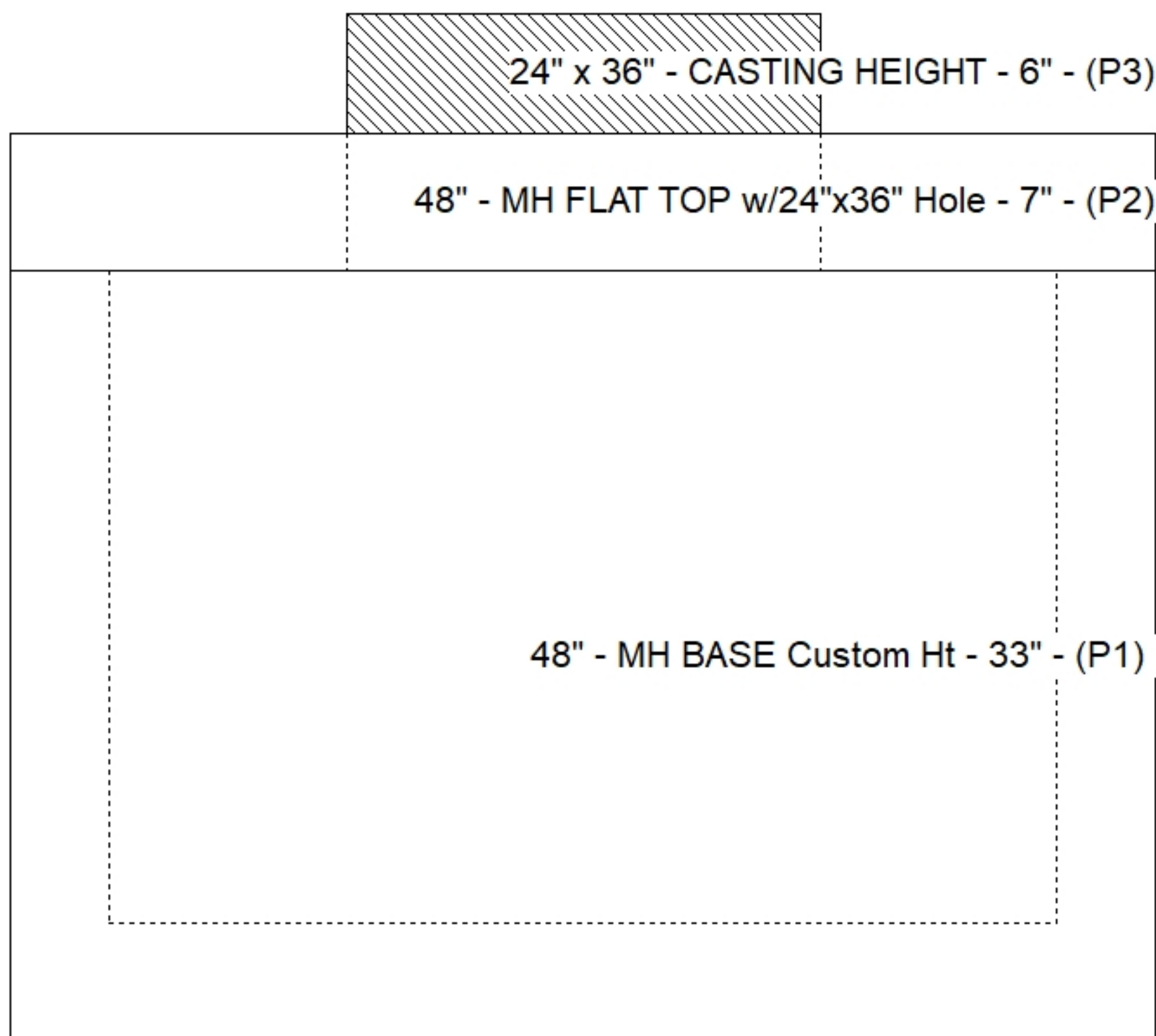
REINFORCING PER ASTM A615 (GRADE 60).
 - TOP SLAB (As .62) #5 BARS AT 6" C.C.E.W..
 - RISER/WALLS (As .12)
 - FLOOR (As .31) #5 BARS AT 12" C.C.E.W.

STRUCTURE SUMMARY:

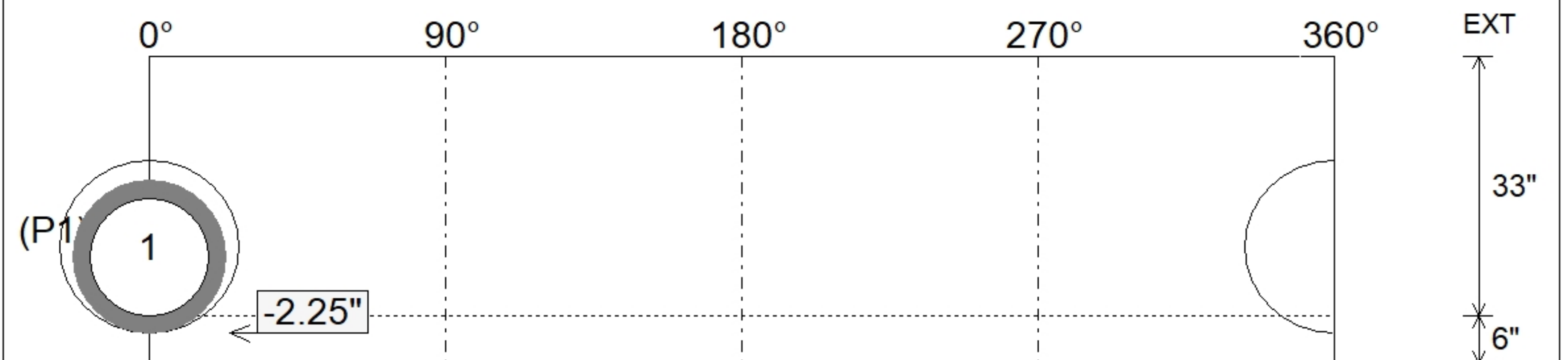
P3) 24" x 36" - CASTING HEIGHT - 6"	0 lb
P2) 48" - MH FLAT TOP w/24"x36" Hole - 7"	1044 lb
P1) 48" - MH BASE Custom Ht - 33"	3469 lb
1) 48" - Conseal CS-102 1.00"	0 lb
1) 24" x 36" - Conseal CS-102 1.00"	0 lb
1) Hole - 22	0 lb
3) MH Step ML-10-TDS-NCR - 10"	0 lb
Structure Total:	4513 lb



Position	Elev	Angle	Pipe	Pipe OD	Hole	Connector	Up ()	Ref
Rim	739.98'							
Reducer								
Invert 1	736.1'	0°	15" RCP B WALL	19.5"	22"	Hole 22	-2.25"	P1
Invert 2								
Invert 3								
Invert 4								
Invert 5								
Invert 6								
Invert 7								
Invert 8								



Default - Interior Dimensions



Submittal Drawing
 4/10/2026 8:45:58 AM

SUBMITTAL
 APPROVED BY: