

Job Name: 25-3310 - Mammoth Cave NP-MACA 12
Job Location: Mammoth Cave , KY
Contractor: Phillips Brothers

PC: C. Goff
 TECH: J. Coppage - F
 Plant: 100



Structure ID: **CB14B**

Spec: Storm
 Type: BX 8inW, 8inF
 Size: 24" x 36"

Rim: 741.13'
 Invert: 738.34'
 Rim to Invert: 2.79'

Sump: 13.08"
 Floor (Top): 737.25'
 Floor Height: 8"

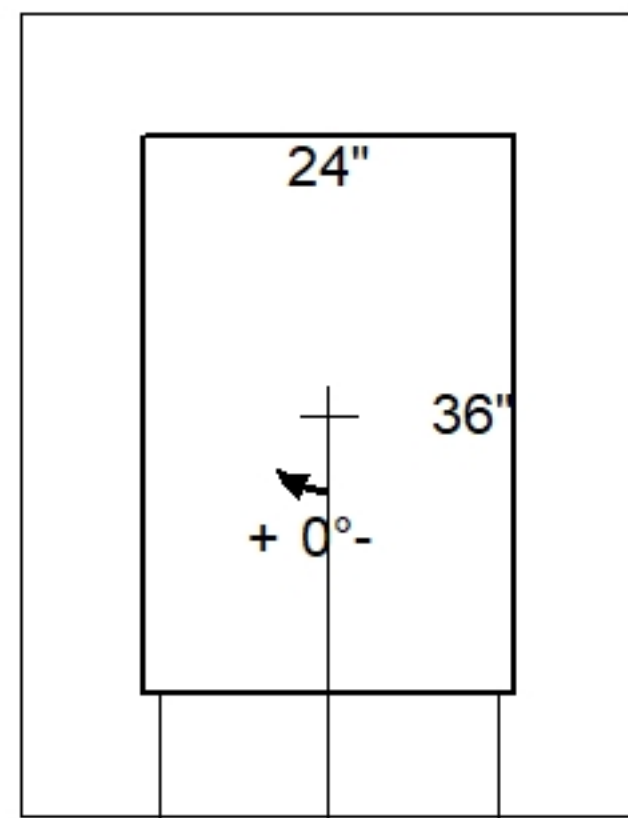
Floor (Bot): 736.583'
 Overall Height: 4.5'
 Slack: 0.56"

Structure Notes:

1. PER ASTM C913 SPECIFICATIONS.
 2. CONCRETE = 4,000 PSI AT 28 DAYS.
 3. NO INVERT CHANNEL.
 4. CASTING SUPPLIED BY OTHERS (HOE-525).
- REINFORCING PER ASTM A615 (GRADE 60).
 - WALLS (As .12) #5 BARS AT 12" C.C.E.W.
 - FLOOR (As .12) #5 BARS AT 12" C.C.E.W.

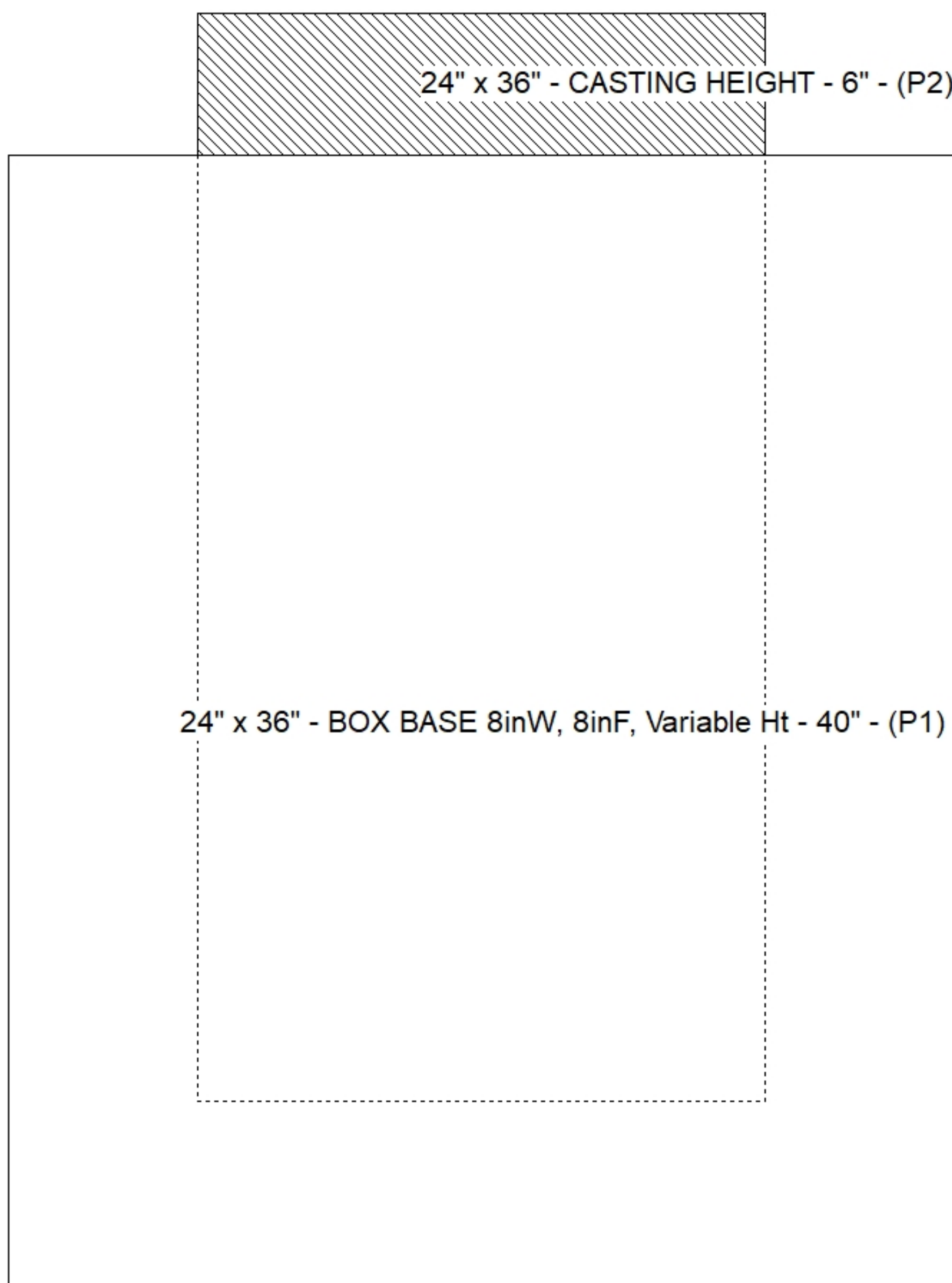
STRUCTURE SUMMARY:

P2) 24" x 36" - CASTING HEIGHT - 6"	0 lb
P1) 24" x 36" - BOX BASE 8inW, 8inF, Variable Ht - 40"	5223 lb
1) 24" x 36" - Conseal CS-102 1.00"	0 lb
1) Hole - 22	0 lb
Structure Total:	5223 lb

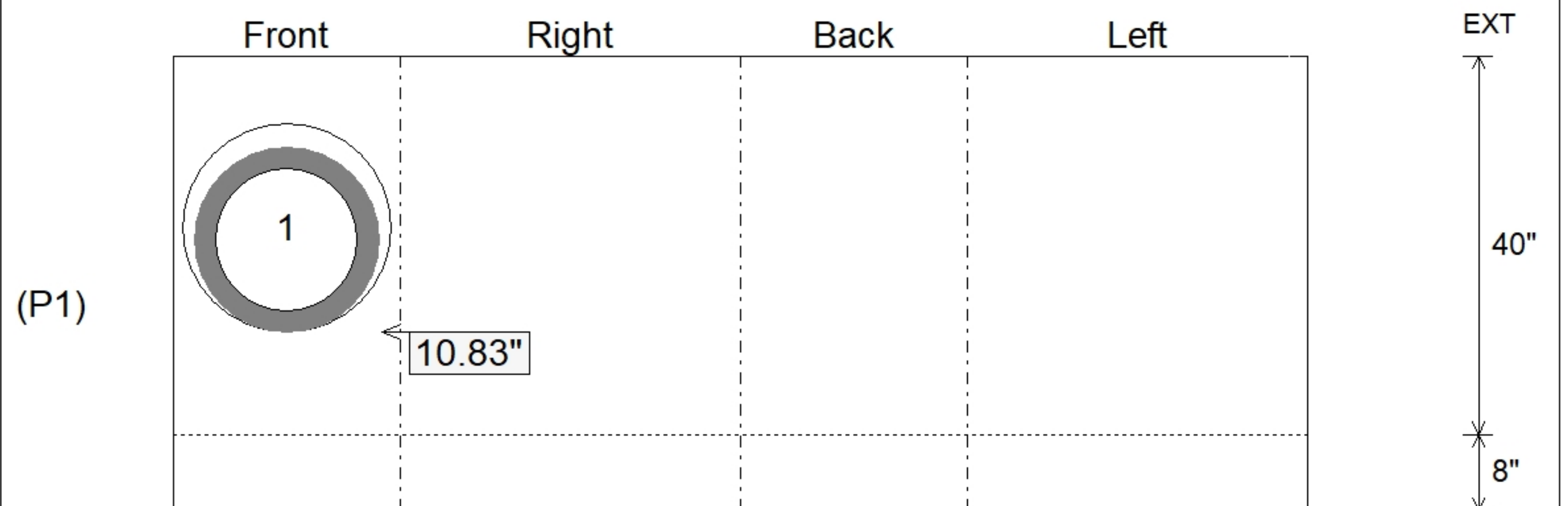


Invert: 1
 Degree: 0°

Position	Elev	Angle	Pipe	Pipe OD	Hole	Connector	Up ()	Ref
Rim	741.13'							
Reducer								
Invert 1	738.34'	0°	15" RCP B WALL	19.5"	22"	Hole 22	10.83"	P1
Invert 2								
Invert 3								
Invert 4								
Invert 5								
Invert 6								
Invert 7								
Invert 8								



Default - Interior Dimensions



Submittal Drawing
 4/10/2026 8:46:00 AM

SUBMITTAL
 APPROVED BY: