

Job Name: 25-3310 - Mammoth Cave NP-MACA 12
Job Location: Mammoth Cave , KY
Contractor: Phillips Brothers

PC: C. Goff
 TECH: J. Coppage - F
 Plant: 100



Structure ID: **CB12A**

Spec: Storm
 Type: STM.MH (Recessed pipe)
 Size: 48"

Rim: 741'
 Invert: 735.79'
 Rim to Invert: 5.21'

Sump: 0"
 Floor (Top): 735.79'
 Floor Height: 6"

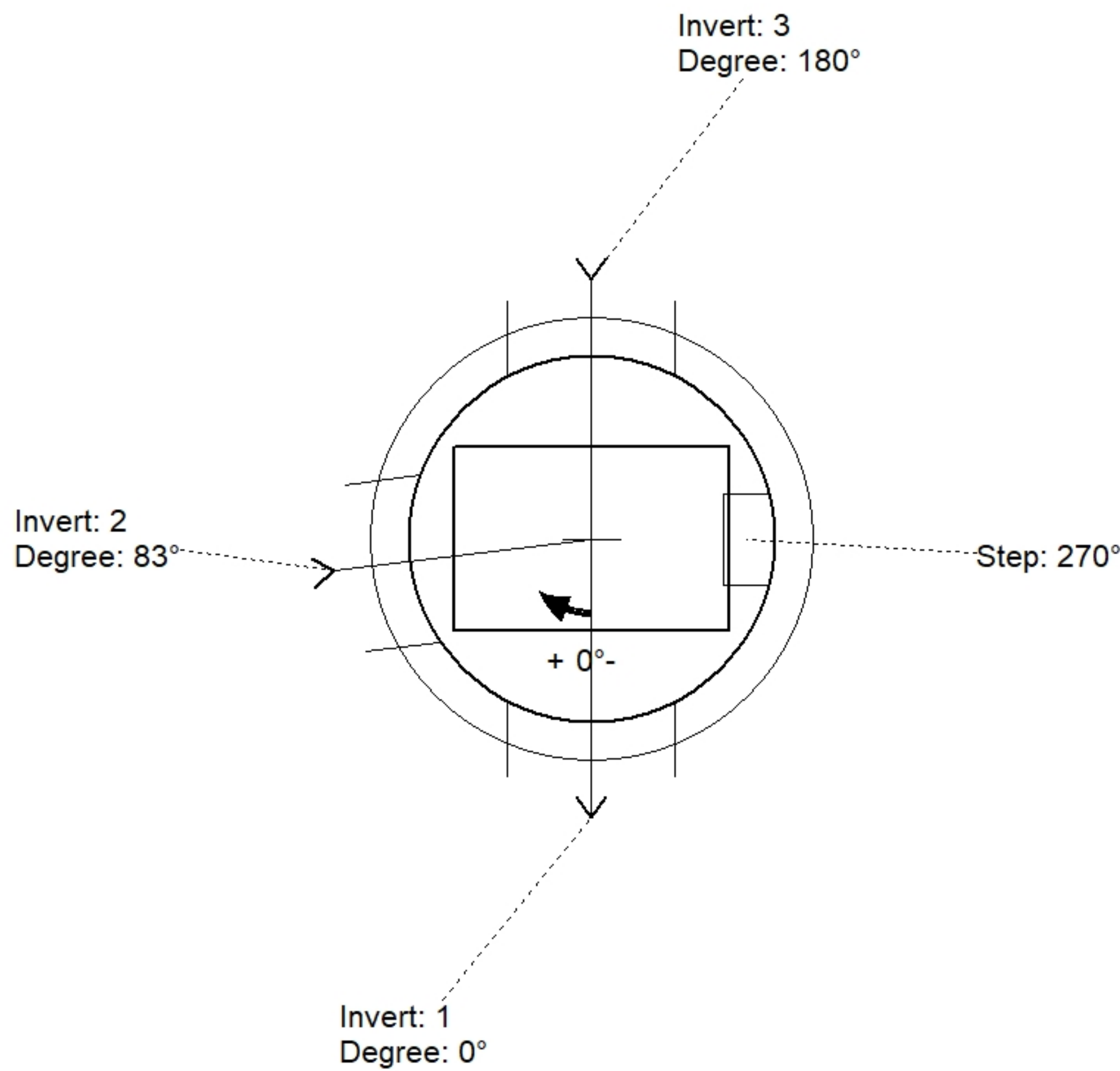
Floor (Bot): 735.29'
 Overall Height: 5.5'
 Slack: 2.52"

Structure Notes:

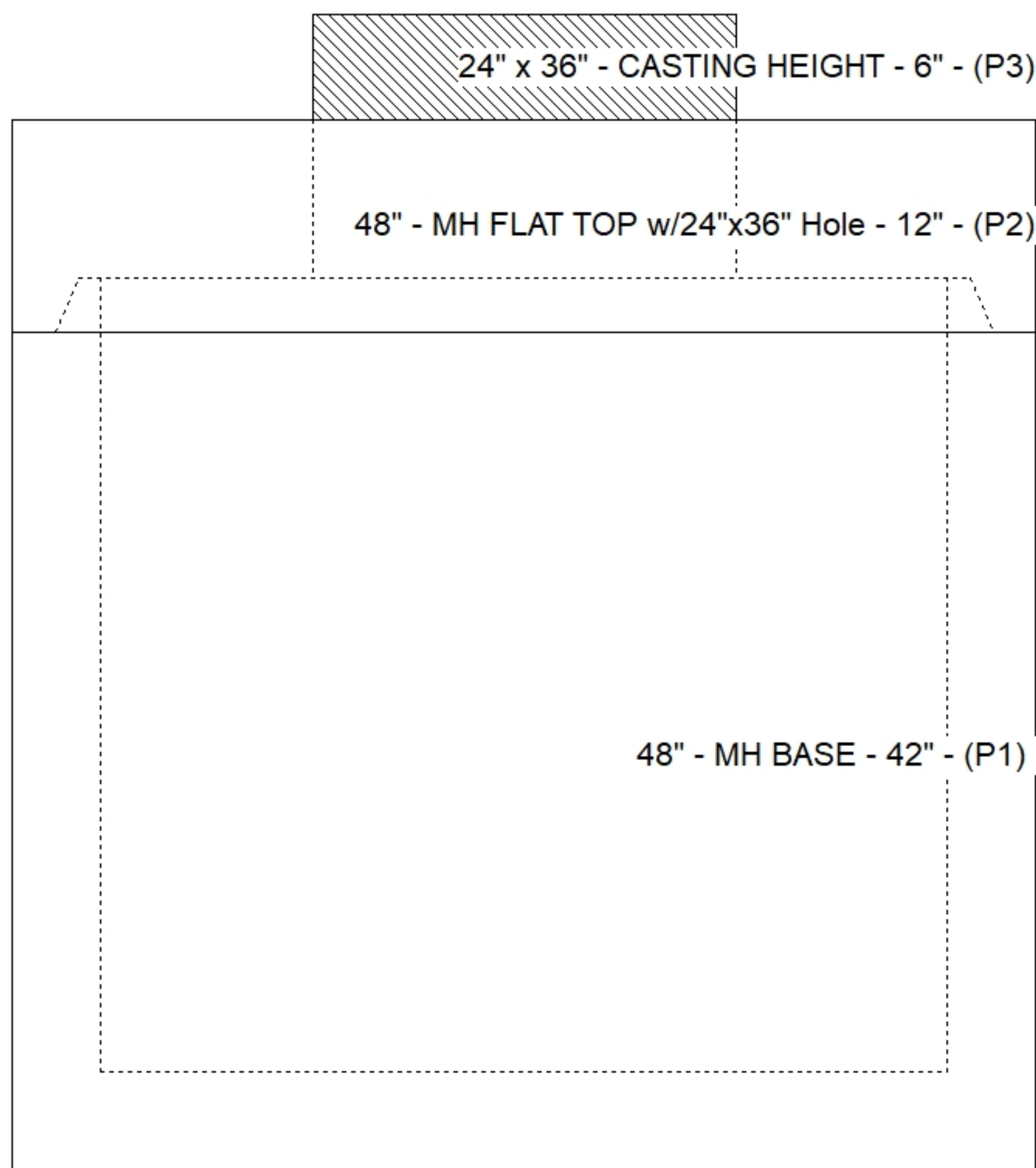
- PER ASTM C478 SPECIFICATIONS.
 - CONCRETE = 4,000 PSI AT 28 DAYS.
 - NO INVERT CHANNEL.
 - CASTING SUPPLIED BY OTHERS (HOE-525).
- REINFORCING PER ASTM A615 (GRADE 60).
 - TOP SLAB (As .62) #5 BARS AT 6" C.C.E.W..
 - RISER/WALLS (As .12)
 - FLOOR (As .31) #5 BARS AT 12" C.C.E.W.

STRUCTURE SUMMARY:

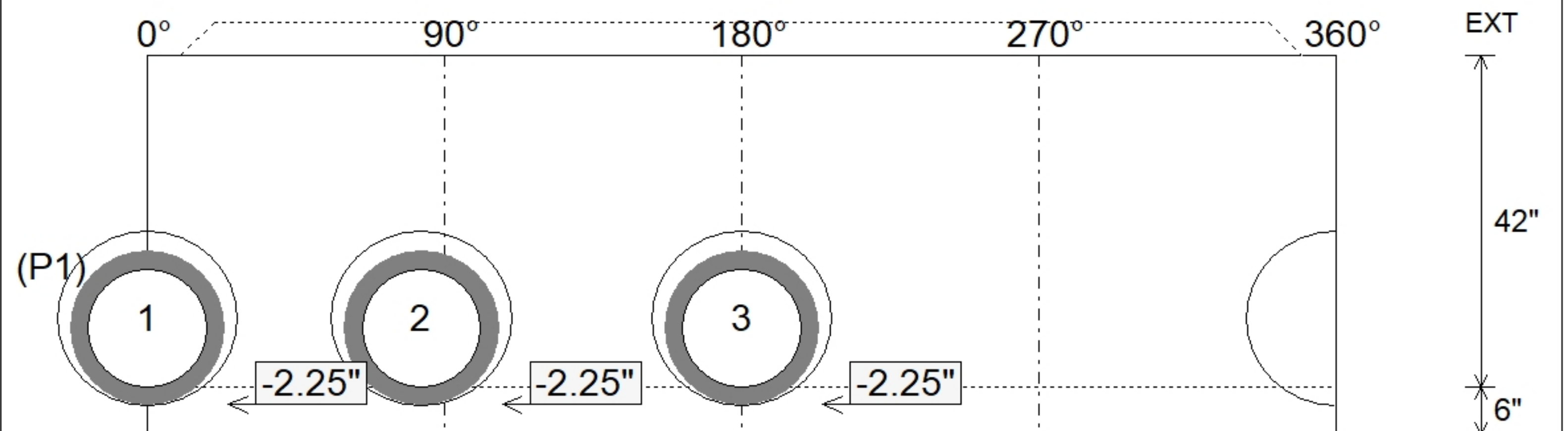
P3) 24" x 36" - CASTING HEIGHT - 6"	0 lb
P2) 48" - MH FLAT TOP w/24"x36" Hole - 12"	1300 lb
P1) 48" - MH BASE - 42"	3727 lb
1) 48" - Conseal CS-102 1.00"	0 lb
1) 24" x 36" - Conseal CS-102 1.00"	0 lb
3) Hole - 22	0 lb
4) MH Step ML-10-TDS-NCR - 10"	0 lb
Structure Total:	5027 lb



Position	Elev	Angle	Pipe	Pipe OD	Hole	Connector	Up ()	Ref
Rim	741'							
Reducer								
Invert 1	735.79'	0°	15" RCP B WALL	19.5"	22"	Hole 22	-2.25"	P1
Invert 2	735.79'	83°	15" RCP B WALL	19.5"	22"	Hole 22	-2.25"	P1
Invert 3	735.79'	180°	15" RCP B WALL	19.5"	22"	Hole 22	-2.25"	P1
Invert 4								
Invert 5								
Invert 6								
Invert 7								
Invert 8								



Default - Interior Dimensions



Submittal Drawing
 4/10/2026 8:46:01 AM

SUBMITTAL
 APPROVED BY: