

Job Name: 25-3310 - Mammoth Cave NP-MACA 12
 Job Location: Mammoth Cave , KY
 Contractor: Phillips Brothers

Plant: 100

Tech: J. Horsley - F

4/2/2026 7:52:09 PM

PC: C. Goff

Structure ID: CB12A

P2 MH048LD12-24X36RECT

MH FLAT TOP w/24"x36" Hole F/G

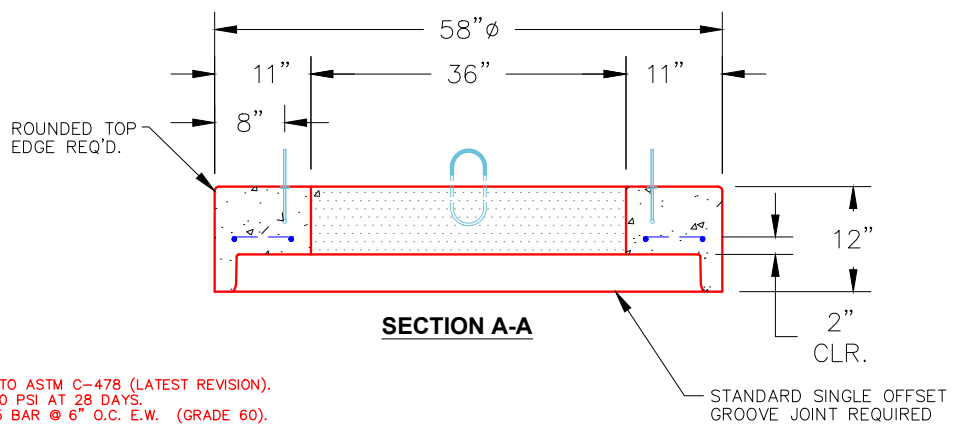
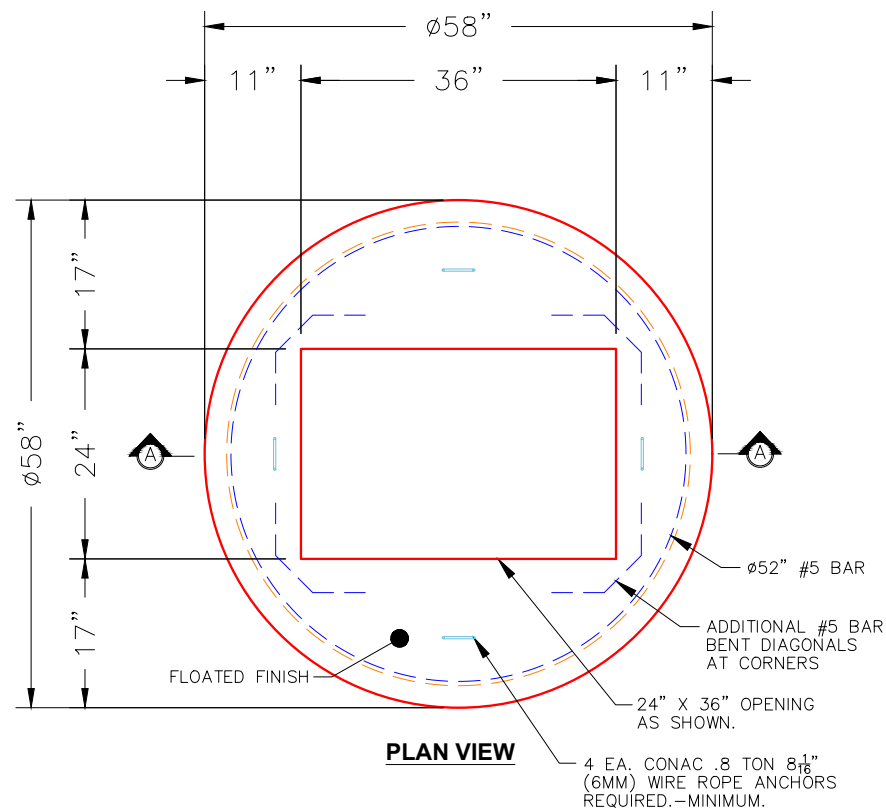
- P3) 24" x 36" - CASTING HEIGHT - 6"
- P2) 48" - MH FLAT TOP w/24"x36" Hole F/G - 12"
- P1) 48" - MH BASE T/n - 42"
- 1) 48" - Conseal CS-102 1.00"
- 1) 24" x 36" - Conseal CS-102 1.00"
- 3) Hole - 22
- 4) MH Step ML-10-TDS-NCR - 10"

0 lb
 1300 lb
 3727 lb
 0 lb
 0 lb
 0 lb
 0 lb

 Structure Total: 5027 lb

Structure Notes:
 1. PER ASTM C478 SPECIFICATIONS.
 2. CONCRETE = 4,000 PSI AT 28 DAYS.
 3. NO INVERT CHANNEL.
 4. CASTING SUPPLIED BY OTHERS (HOE-525).

 REINFORCING PER ASTM A615 (GRADE 60).
 - TOP SLAB (As .62) #5 BARS AT 6" C.C.E.W..
 - RISER/WALLS (As .12)
 - FLOOR (As .31) #5 BARS AT 12" C.C.E.W.



- NOTES:**
- 1. MANUFACTURED TO ASTM C-478 (LATEST REVISION).
 - 2. CONCRETE: 4,000 PSI AT 28 DAYS.
 - 3. REINFORCING: #5 BAR @ 6" O.C. E.W. (GRADE 60).

Coating (Int): Coating (Ext):	Seam Up: Flat Seam Dn: Groove	Wall Thickness: 5"	Height (Ext): 12"	Weight (Net): 1300 lb Volume (Net): 0.46cu.yd
----------------------------------	----------------------------------	--------------------	-------------------	--