

Job Name: 25-3310 - Mammoth Cave NP-MACA 12
 Job Location: Mammoth Cave , KY
 Contractor: Phillips Brothers

Plant: 100
 4/2/2026 7:49:55 PM

Tech: J. Horsley - F
 PC: C. Goff



Structure ID: CB12A

P1 MH048BA42

MH BASE T/n

- P3) 24" x 36" - CASTING HEIGHT - 6"
- P2) 48" - MH FLAT TOP w/24"x36" Hole F/G - 12"
- P1) 48" - MH BASE T/n - 42"
- 1) 48" - Conseal CS-102 1.00"
- 1) 24" x 36" - Conseal CS-102 1.00"
- 3) Hole - 22
- 4) MH Step ML-10-TDS-NCR - 10"

0 lb
 1300 lb
 3727 lb
 0 lb
 0 lb
 0 lb
 0 lb

 Structure Total: 5027 lb

- Structure Notes:**
1. PER ASTM C478 SPECIFICATIONS.
 2. CONCRETE = 4,000 PSI AT 28 DAYS.
 3. NO INVERT CHANNEL.
 4. CASTING SUPPLIED BY OTHERS (HOE-525).

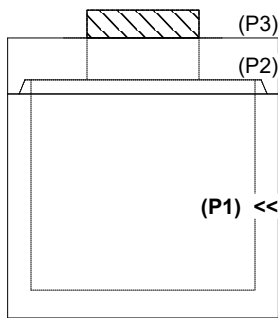
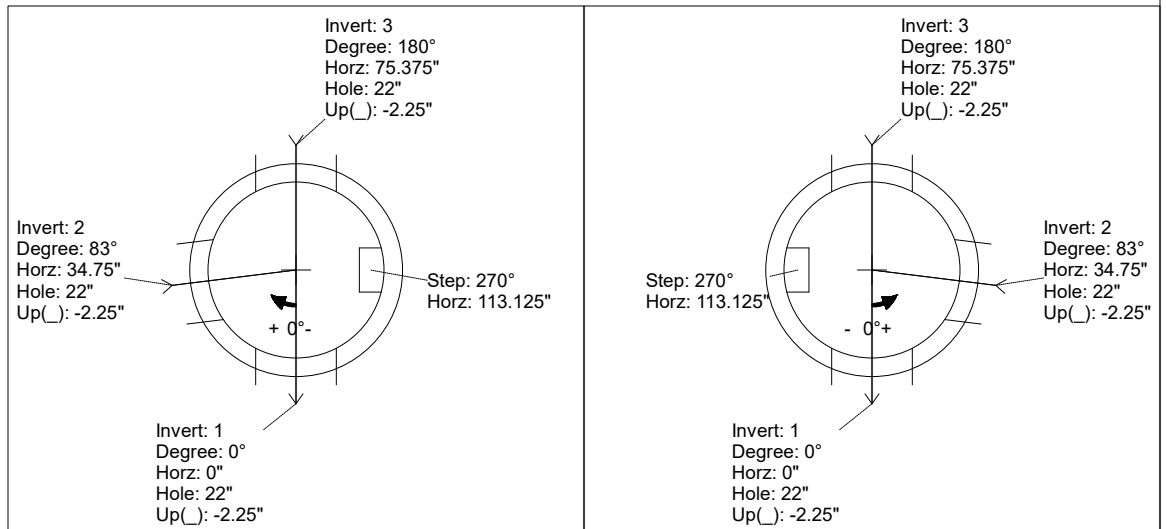
REINFORCING PER ASTM A615 (GRADE 60).
 - TOP SLAB (As .62) #5 BARS AT 6" C.C.E.W..
 - RISER/WALLS (As .12)
 - FLOOR (As .31) #5 BARS AT 12" C.C.E.W.

Rim: 741' Rim to Invert: 5.21' Slack: 2.52" Sump: 0" Step Position: 270°

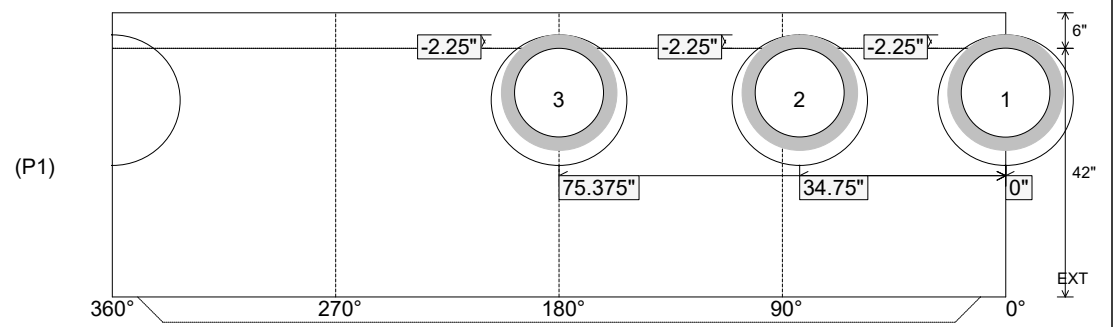
| Position | Elev | Angle | Ext. (cw) | Pipe | Pipe OD | Connector | Hole | Horz Size | Up () | Offset |
|----------|---------|-------|-----------|----------------|---------|-----------|------|-----------------|--------|--------|
| Invert 1 | 735.79' | 0° | 0" | 15" RCP B WALL | 19.5" | Hole 22 | 22" | 22.854" | -2.25" | 0" |
| Invert 2 | 735.79' | 83° | 42" | 15" RCP B WALL | 19.5" | Hole 22 | 22" | 22.854", 5.63" | -2.25" | 0" |
| Invert 3 | 735.79' | 180° | 91.125" | 15" RCP B WALL | 19.5" | Hole 22 | 22" | 22.854", 1.071" | -2.25" | 0" |
| Invert 4 | | | | | | | | | | |
| Invert 5 | | | | | | | | | | |
| Invert 6 | | | | | | | | | | |
| Invert 7 | | | | | | | | | | |
| Invert 8 | | | | | | | | | | |

RIGHT-SIDE UP VIEW (int. dimensions)

UPSIDE-DOWN VIEW (int. dimensions)



INSIDE WALL DIMENSIONS



Coating (Int):
 Coating (Ext):

Seam Up: Tongue
 Seam Dn: n/a

Wall Thickness: 5"
 Floor Height: 6"

Height (Int): 42"
 Height (Ext): 48"

Weight (Net): 3727 lb
 Volume (Net): 0.95cu.yd