

**Job Name: 25-3310 - Mammoth Cave NP-MACA 12**  
**Job Location: Mammoth Cave , KY**  
**Contractor: Phillips Brothers**

PC: C. Goff  
 TECH: J. Coppage - F  
 Plant: 100



Structure ID: **CB11A**

Spec: Storm  
 Type: BX 8inW, 8inF  
 Size: 24" x 36"

Rim: 741.04'  
 Invert: 737.08'  
 Rim to Invert: 3.96'

Sump: 0"  
 Floor (Top): 737.08'  
 Floor Height: 8"

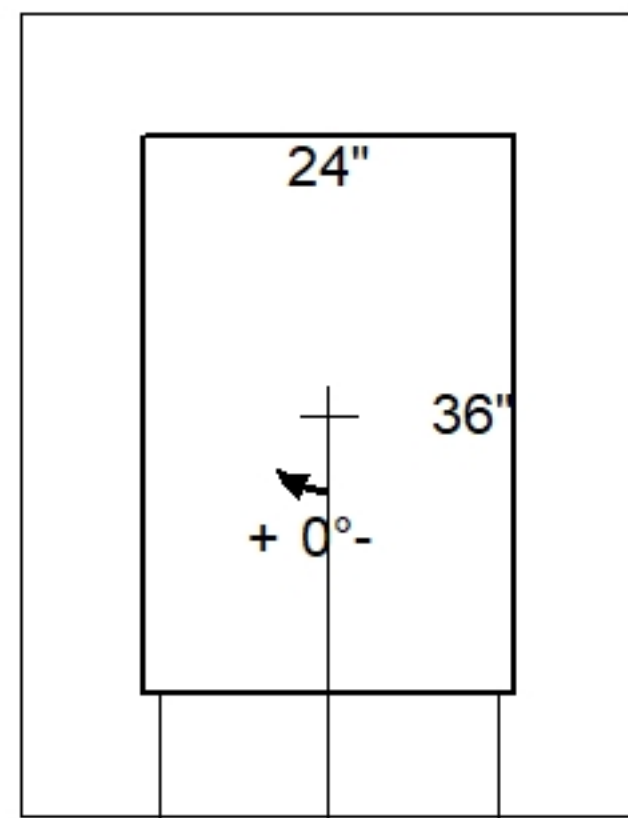
Floor (Bot): 736.413'  
 Overall Height: 4.583'  
 Slack: 0.52"

Structure Notes:

1. PER ASTM C913 SPECIFICATIONS.
  2. CONCRETE = 4,000 PSI AT 28 DAYS.
  3. NO INVERT CHANNEL.
  4. CASTING SUPPLIED BY OTHERS (HOE-525).
- REINFORCING PER ASTM A615 (GRADE 60).  
 - WALLS (As .12) #5 BARS AT 12" C.C.E.W.  
 - FLOOR (As .12) #5 BARS AT 12" C.C.E.W.

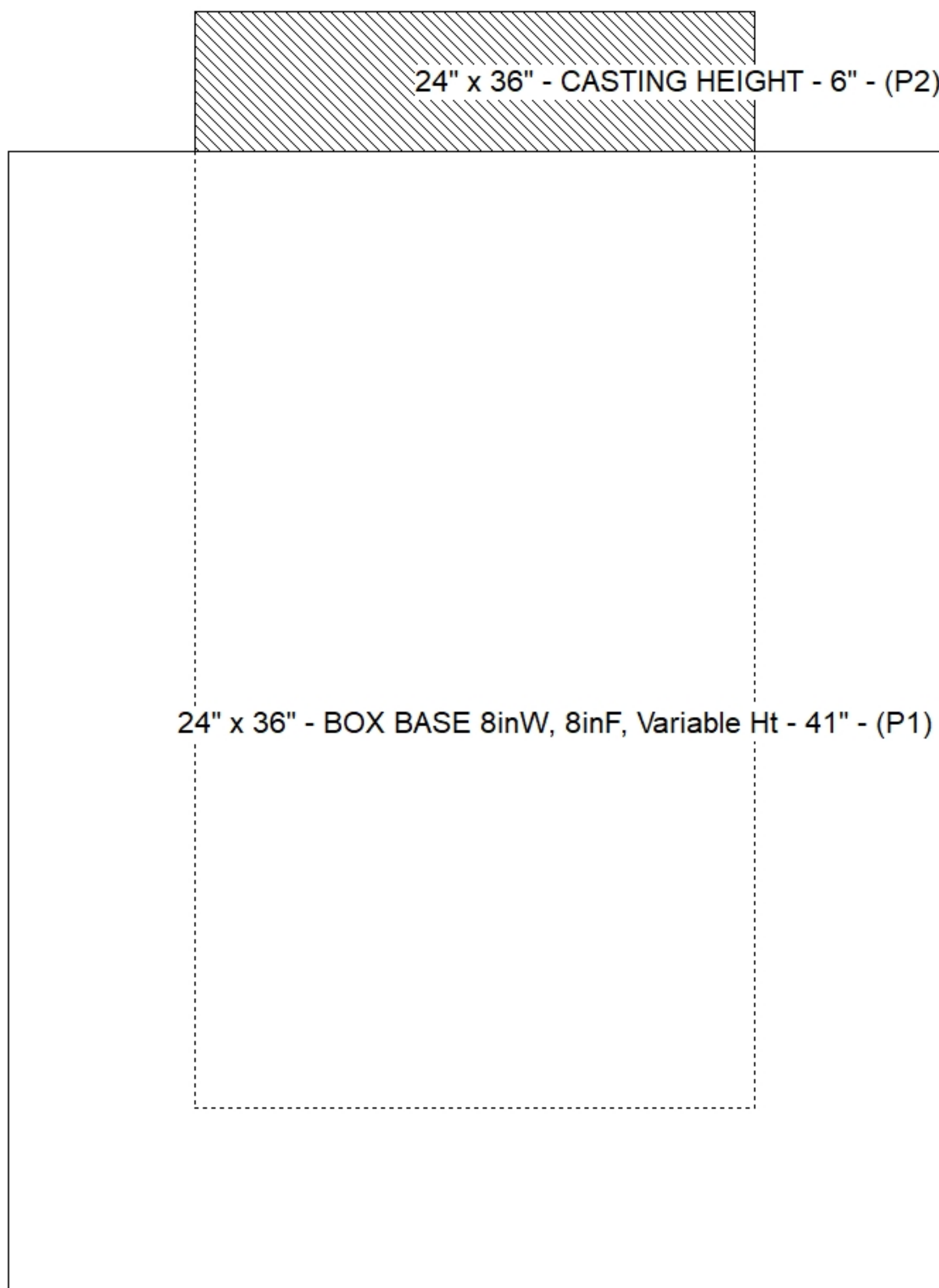
STRUCTURE SUMMARY:

P2) 24" x 36" - CASTING HEIGHT - 6"	0 lb
P1) 24" x 36" - BOX BASE 8inW, 8inF, Variable Ht - 41"	5325 lb
1) 24" x 36" - Conseal CS-102 1.00"	0 lb
1) Hole - 22	0 lb
<b>Structure Total:</b>	<b>5325 lb</b>

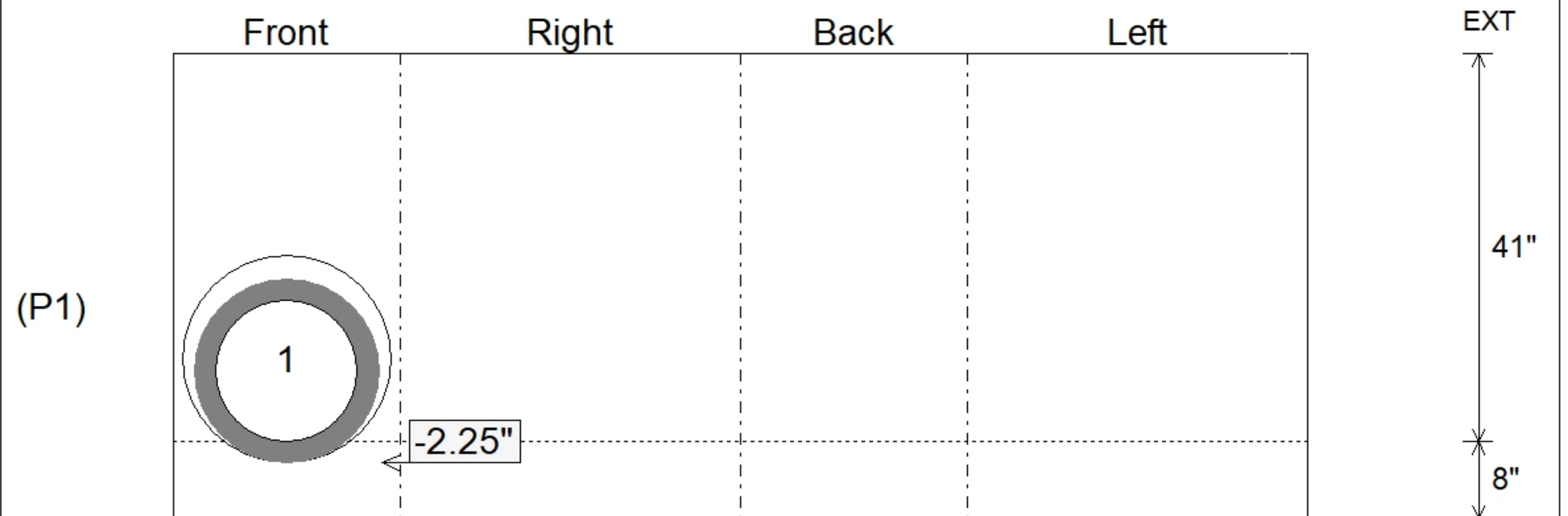


Invert: 1  
 Degree: 0°

Position	Elev	Angle	Pipe	Pipe OD	Hole	Connector	Up ( )	Ref
Rim	741.04'							
Reducer								
Invert 1	737.08'	0°	15" RCP B WALL	19.5"	22"	Hole 22	-2.25"	P1
Invert 2								
Invert 3								
Invert 4								
Invert 5								
Invert 6								
Invert 7								
Invert 8								



**Default - Interior Dimensions**



Submittal Drawing  
 4/10/2026 8:46:01 AM

SUBMITTAL  
 APPROVED BY: