

Job Name: 25-3310 - Mammoth Cave NP-MACA 12

Job Location: Mammoth Cave , KY

Contractor: Phillips Brothers

PC: C. Goff

TECH: J. Coppage - F

Plant: 100



Structure ID: **CB10B**

Spec: Storm

Type: STM.MH (Recessed pipe)

Size: 48"

Rim: 740.23'

Invert: 735.44'

Rim to Invert: 4.79'

Sump: 0"

Floor (Top): 735.44'

Floor Height: 6"

Floor (Bot): 734.94'

Overall Height: 5.25'

Slack: 0.48"

Structure Notes:

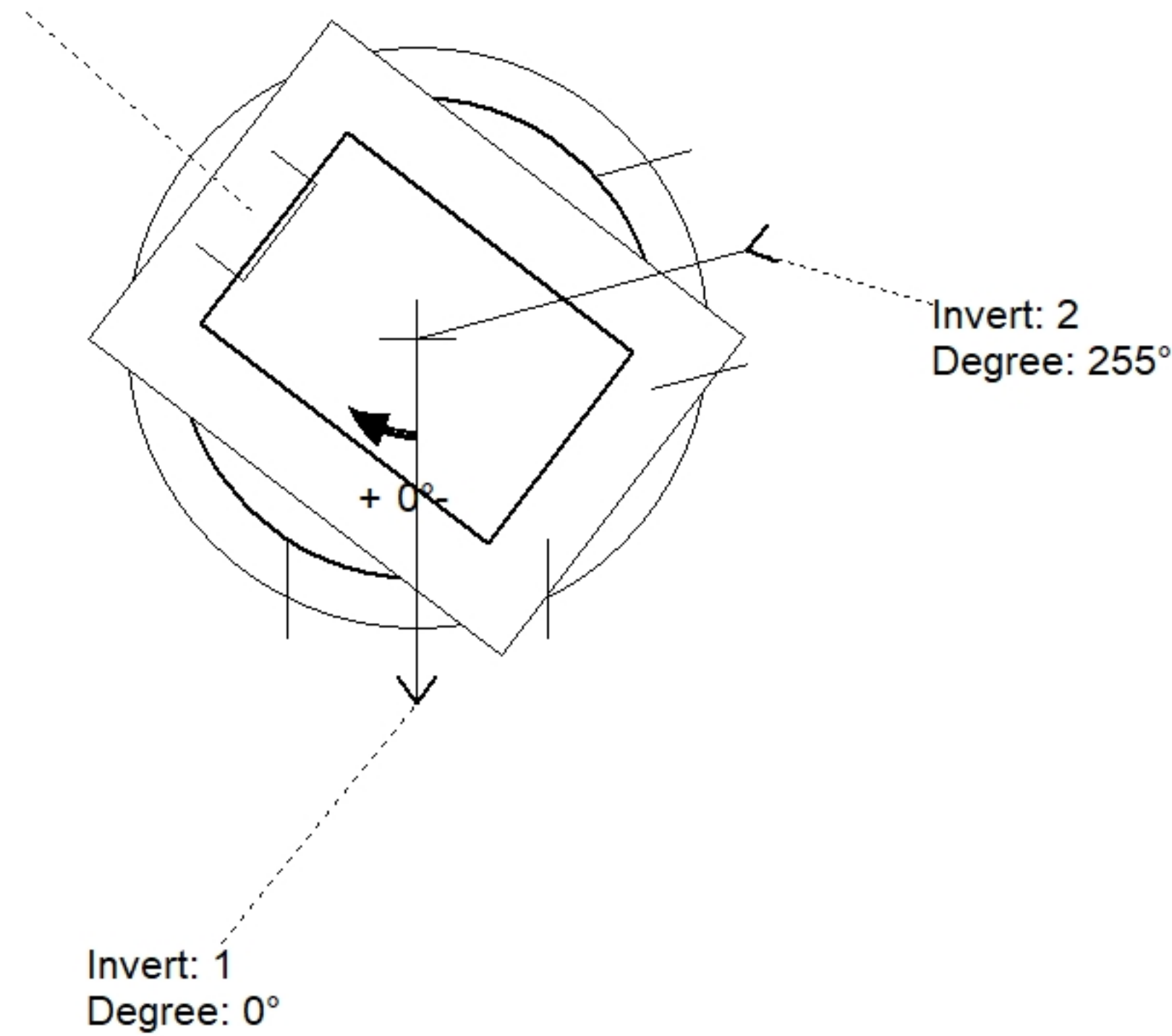
1. PER ASTM C478 SPECIFICATIONS.
2. CONCRETE = 4,000 PSI AT 28 DAYS.
3. NO INVERT CHANNEL.
4. CASTING SUPPLIED BY OTHERS (HOE-525).

REINFORCING PER ASTM A615 (GRADE 60).
 - TOP SLAB (As .62) #5 BARS AT 6" C.C.E.W..
 - RISER/WALLS (As .12)
 - FLOOR (As .31) #5 BARS AT 12" C.C.E.W.

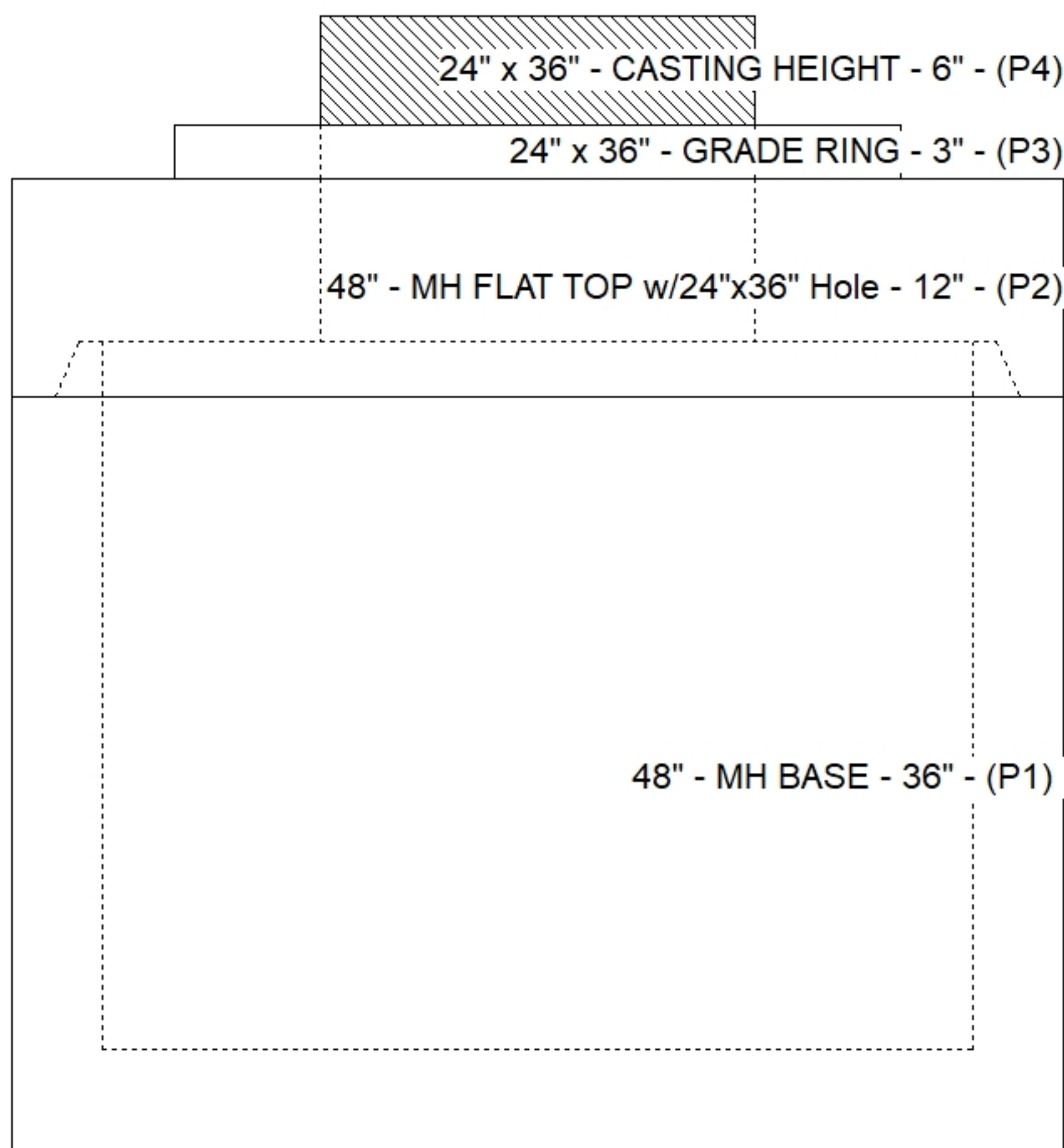
STRUCTURE SUMMARY:

P4) 24" x 36" - CASTING HEIGHT - 6"	0 lb
P3) 24" x 36" - GRADE RING - 3"	306 lb
P2) 48" - MH FLAT TOP w/24"x36" Hole - 12"	1300 lb
P1) 48" - MH BASE - 36"	3550 lb
1) 48" - Conseal CS-102 1.00"	0 lb
2) 24" x 36" - Conseal CS-102 1.00"	0 lb
1) Hole - 26	0 lb
1) Hole - 22	0 lb
3) MH Step ML-10-TDS-NCR - 10"	0 lb
Structure Total:	5156 lb

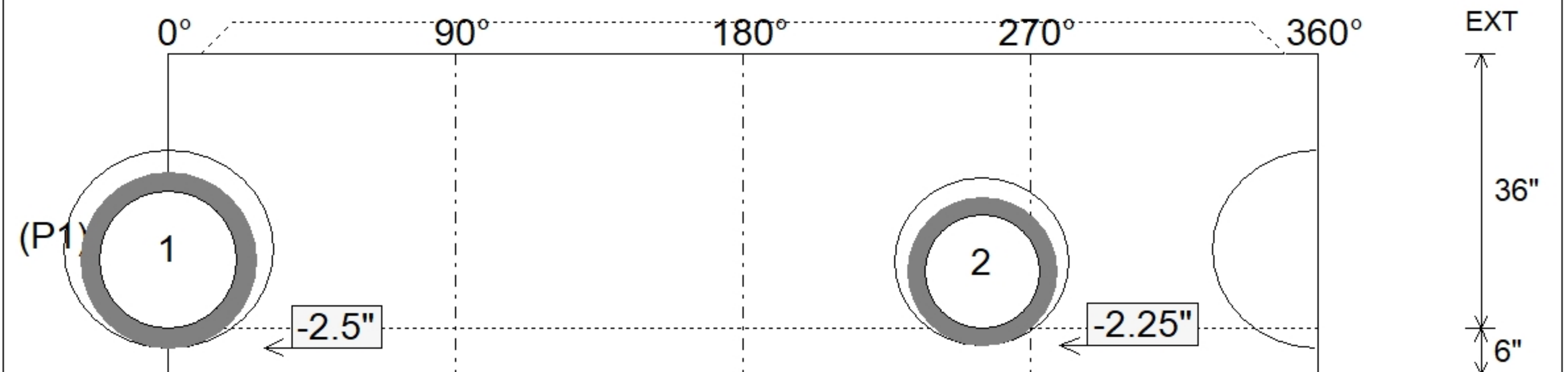
Step: 127.5°



Position	Elev	Angle	Pipe	Pipe OD	Hole	Connector	Up (L)	Ref
Rim	740.23'							
Reducer								
Invert 1	735.44'	0°	18" RCP B WALL	23"	26"	Hole 26	-2.5"	P1
Invert 2	735.44'	255°	15" RCP B WALL	19.5"	22"	Hole 22	-2.25"	P1
Invert 3								
Invert 4								
Invert 5								
Invert 6								
Invert 7								
Invert 8								



Default - Interior Dimensions



Submittal Drawing
4/10/2026 8:46:01 AM

SUBMITTAL
APPROVED BY: