

Job Name: 25-3308 Lexmark Setzer
Job Location: Lexington, Ky
Contractor: Lagco Inc.

PC: C.Goff
 TECH: C.Russ
 Plant: Beaver Dam



Structure ID: **MH-AA3**

Spec: Storm
 Type: STM.MH Transition
 Size: 60"

Rim: 954.7'
 Invert: 944.82'
 Rim to Invert: 9.88'

Sump: 3.5"
 Floor (Top): 944.528'
 Floor Height: 8"

Floor (Bot): 943.862'
 Overall Height: 10.833'
 Slack: 0.06"

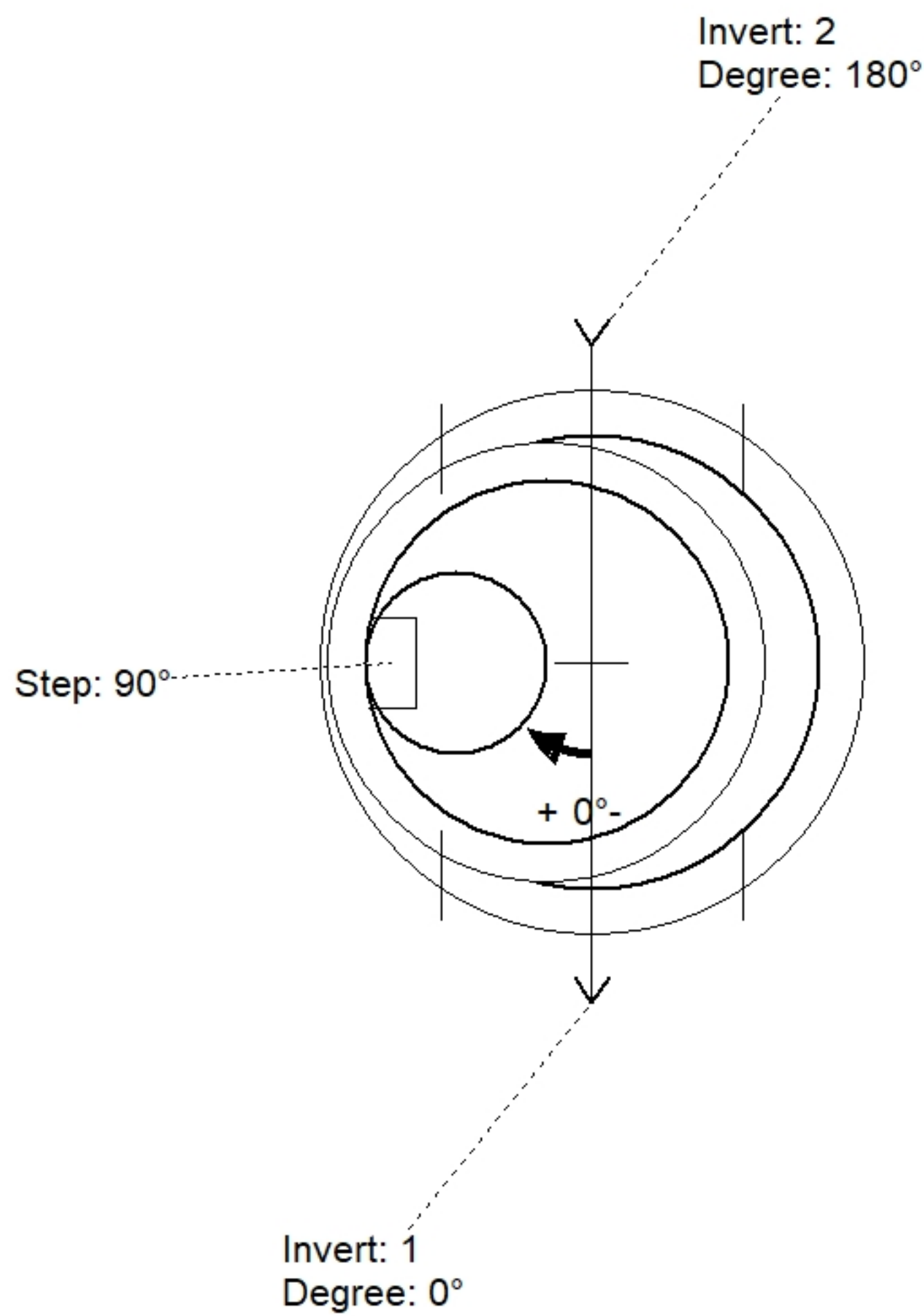
Structure Notes:

1. PER ASTM C478 SPECIFICATIONS.
2. CONCRETE = 4,000 PSI AT 28 DAYS.
3. HOE MC-350 "STORM" BY ICAST
4. REINFORCING PER ASTM A615 (GRADE 60).
 - CONE (As .12)
 - TRANSITION SLAB (As .62) #5 BARS AT 6" C.C.E.W..
 - RISER/WALLS (As .18)
 - FLOOR (As .37) #5 BARS AT 10" C.C.E.W.

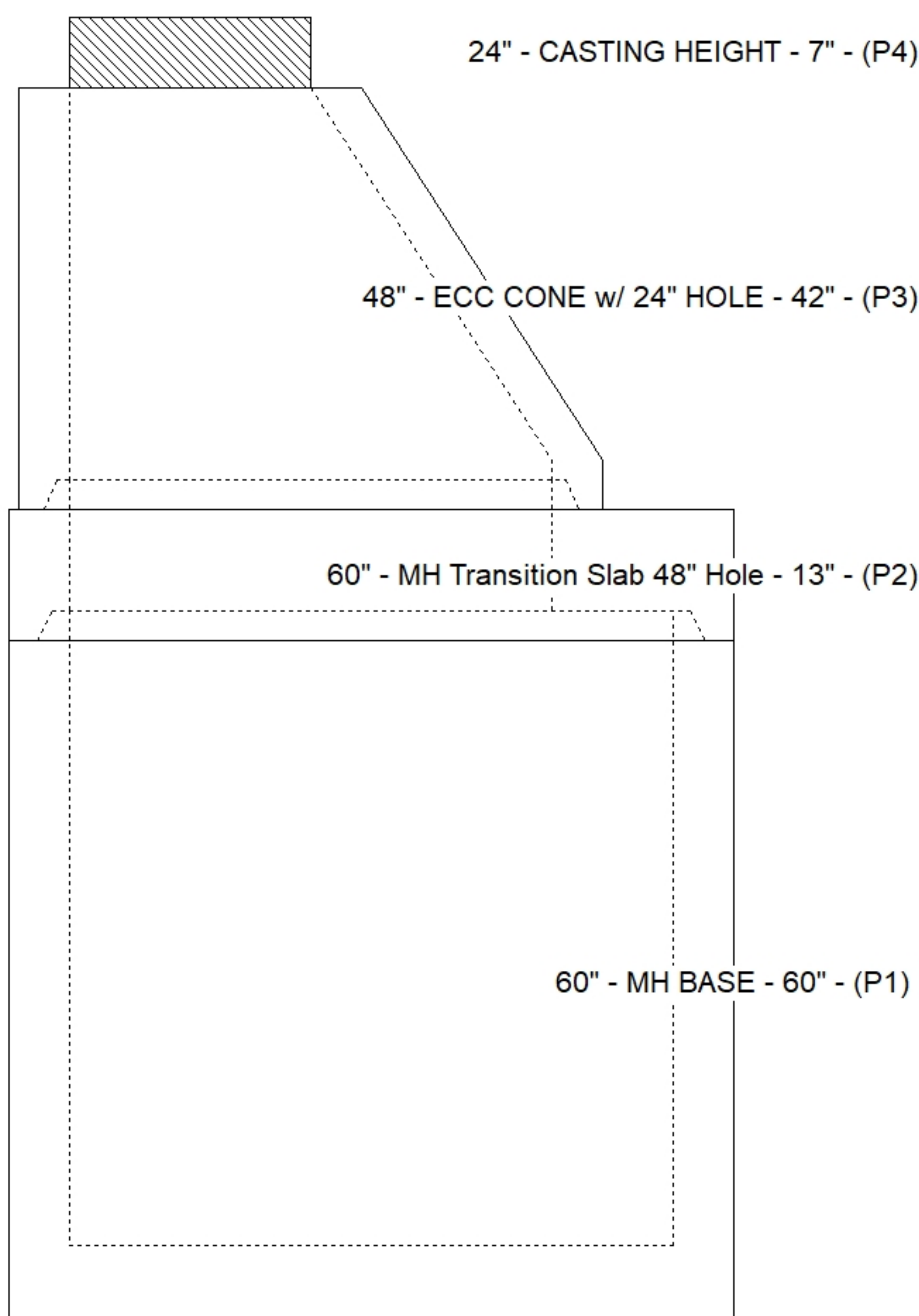
RFI: MH-AA1: VERIFY IF AN OPENING IS REQUIRED FOR THE FUTURE 30" RCP INLET LINE AS CURRENTLY SHOWN IN THIS SUBMITTAL. ICAST COULD SUPPLY A 2" THICK KNOCKOUT STYLE OPENING IF PREFERRED.

STRUCTURE SUMMARY:

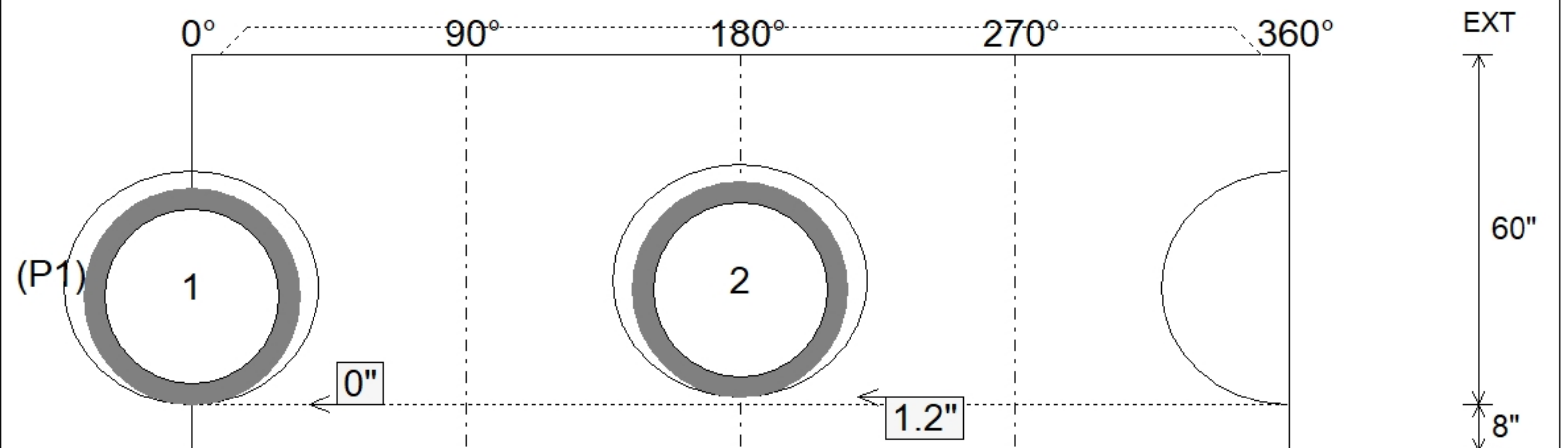
P4) 24" - CASTING HEIGHT - 7"	0 lb
P3) 48" - ECC CONE w/ 24" HOLE - 42"	3200 lb
P2) 60" - MH Transition Slab 48" Hole - 13"	1928 lb
P1) 60" - MH BASE - 60"	7633 lb
1) 60" - Conseal CS-202 1.00"	0 lb
1) 48" - Conseal CS-202 1.00"	0 lb
2) Hole - 40	0 lb
9) MH Step ML-10-TDS-NCR - 10"	0 lb
Structure Total:	12761 lb



Position	Elev	Angle	Pipe	Pipe OD	Hole	Connector	Up (")	Ref
Rim	954.7'							
Reducer	949.528'							
Invert 1	944.82'	0°	30" RCP B WALL	37"	40"	Hole 40	0"	P1
Invert 2	944.92'	180°	40" KO PANEL 30" RCP- 2" THICK	37"	40"	Hole 40	1.2"	P1
Invert 3								
Invert 4								
Invert 5								
Invert 6								
Invert 7								
Invert 8								



Default - Interior Dimensions



Submittal Drawing
 10/7/2025 9:00:48 AM

SUBMITTAL
 APPROVED BY: