

Job Name: 25-3308 Lexmark Setzer Job Location: Lexington, Ky Contractor: Lagco Inc.	Plant: Beaver Dam	Tech: C.Russ	
	10/7/2025 9:01:35 AM	PC: C.Goff	

Structure ID: MH-AA3

P3 MH048CN42

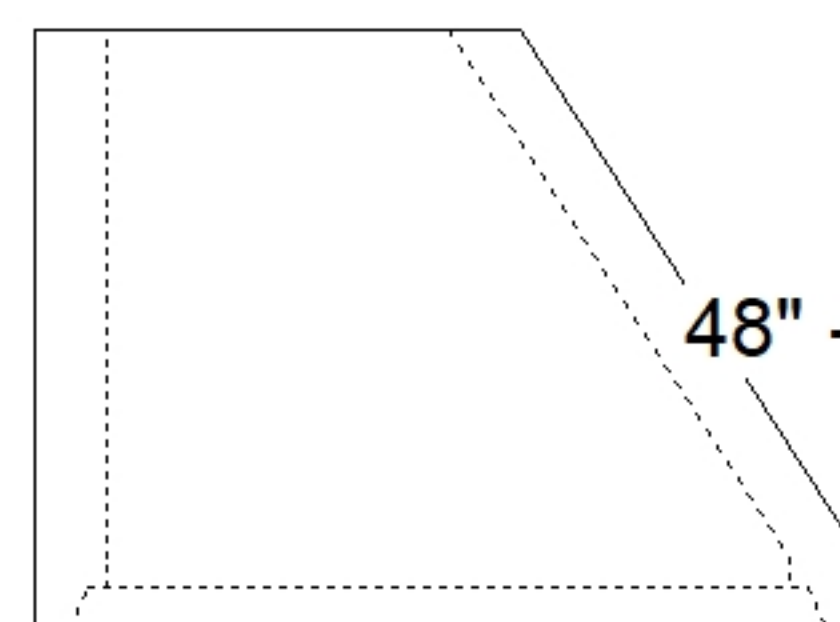
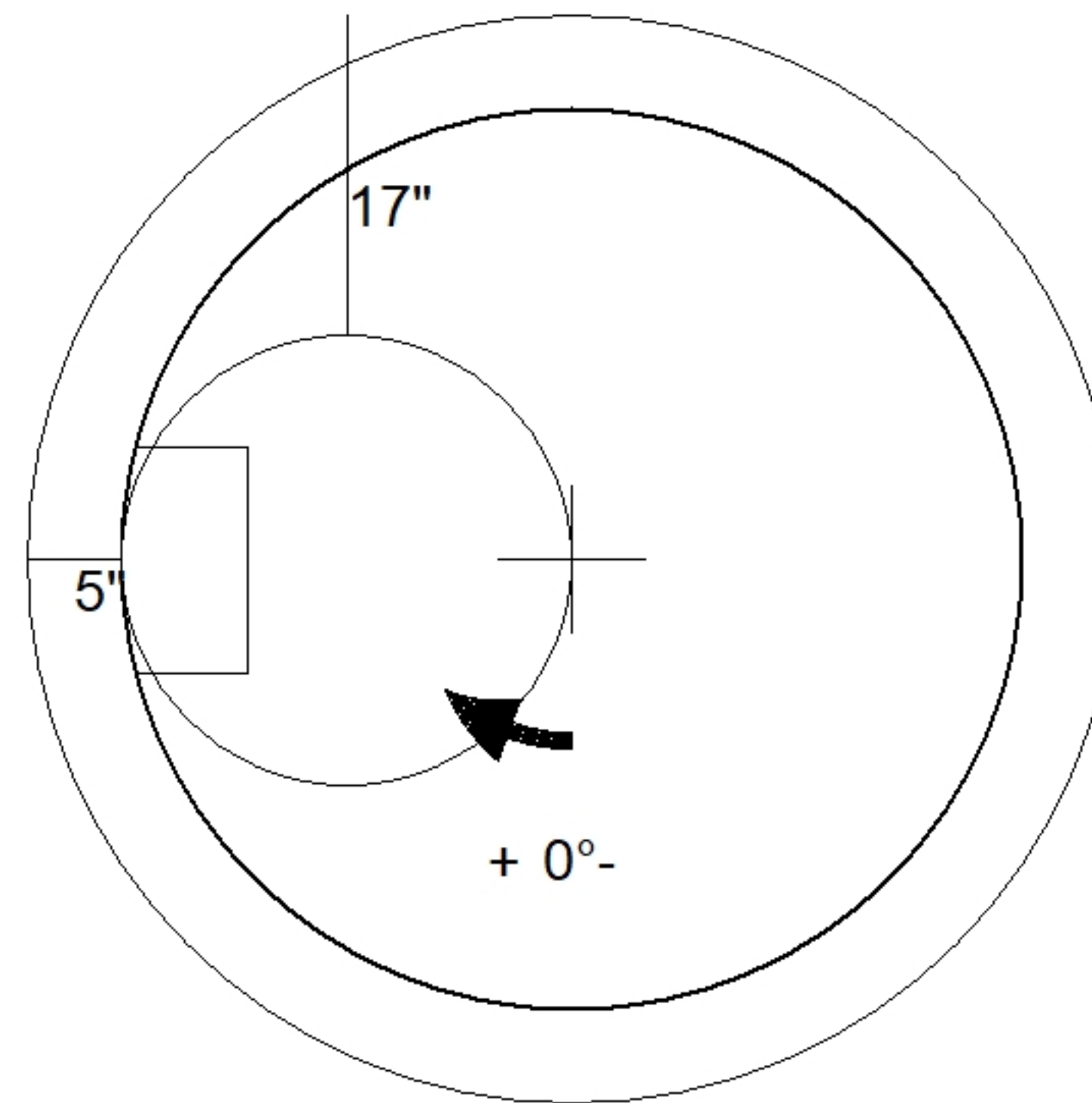
ECC CONE w/ 24" HOLE

P4) 24" - CASTING HEIGHT - 7"	0 lb
P3) 48" - ECC CONE w/ 24" HOLE - 42"	3200 lb
P2) 60" - MH Transition Slab 48" Hole - 13"	1928 lb
P1) 60" - MH BASE - 60"	7633 lb
1) 60" - Conseal CS-202 1.00"	0 lb
1) 48" - Conseal CS-202 1.00"	0 lb
2) Hole - 40	0 lb
9) MH Step ML-10-TDS-NCR - 10"	0 lb
Structure Total:	12761 lb

Structure Notes:

- PER ASTM C478 SPECIFICATIONS.
- CONCRETE = 4,000 PSI AT 28 DAYS.
- HOE MC-350 "STORM" BY ICAST
- REINFORCING PER ASTM A615 (GRADE 60).
 - CONE (As .12)
 - TRANSITION SLAB (As .62) #5 BARS AT 6" C.C.E.W..
 - RISER/WALLS (As .18)
 - FLOOR (As .37) #5 BARS AT 10" C.C.E.W.

RFI: MH-AA1: VERIFY IF AN OPENING IS REQUIRED FOR THE FUTURE 30" RCP INLET LINE AS CURRENTLY SHOWN IN THIS SUBMITTAL. ICAST COULD SUPPLY A 2" THICK



48" - ECC CONE w/ 24" HOLE - 42" - (P3)

Coating (Int):	Seam Up: Flat	Wall Thickness: 5"	Height (Ext): 42"	Weight (Net): 3200 lb
Coating (Ext):	Seam Dn: Groove			Volume (Net): 0.5cu.yd